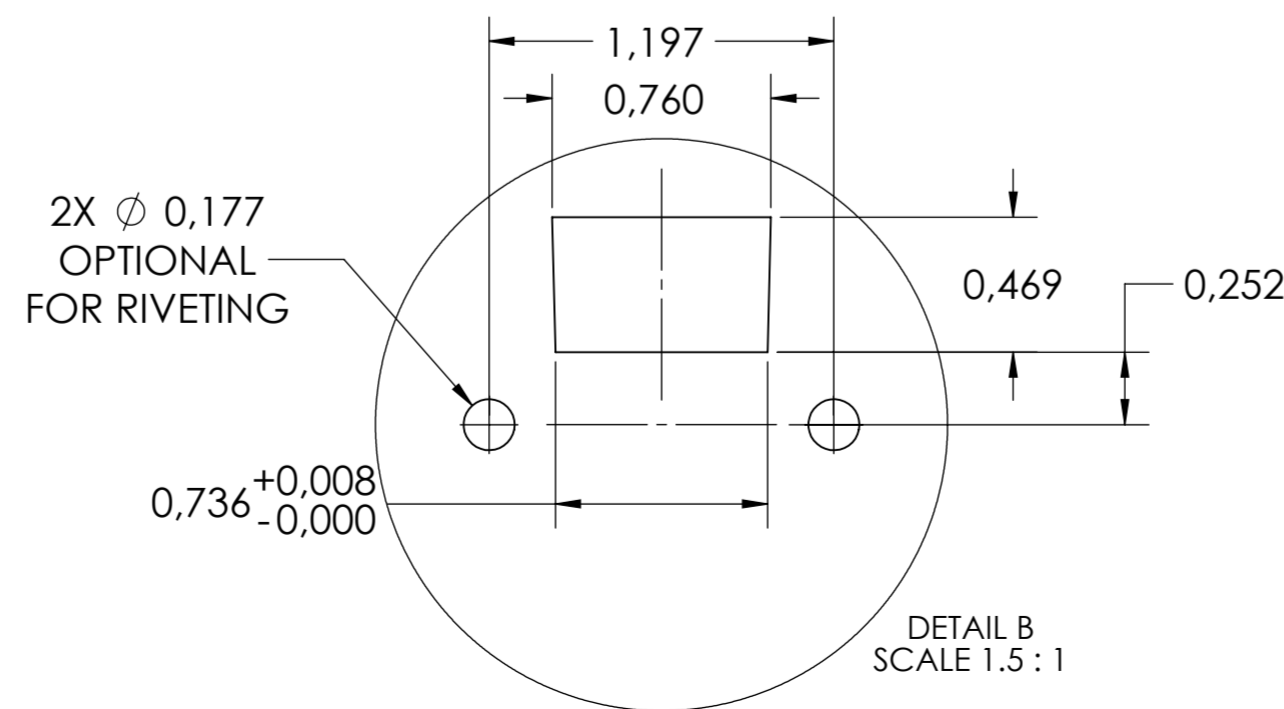
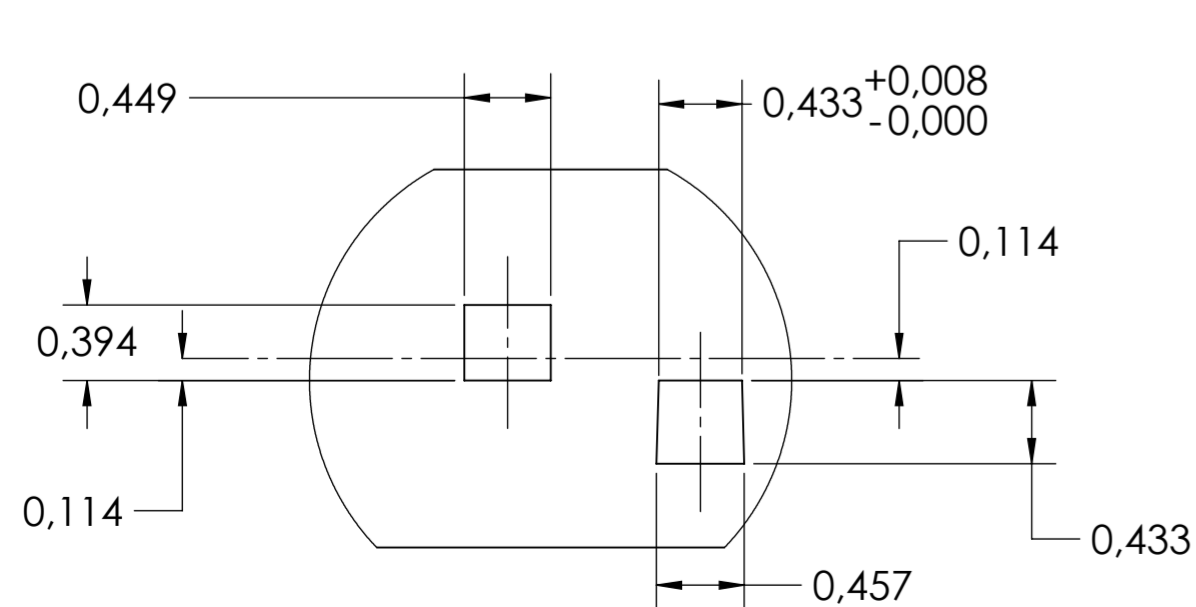
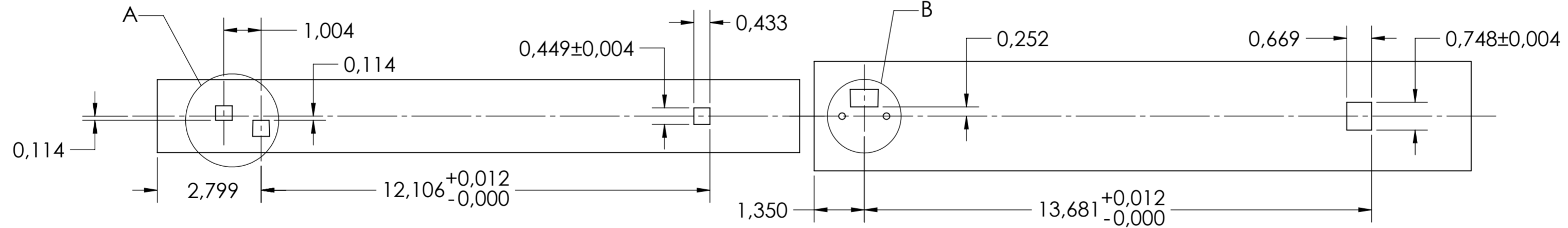


DRAWER MOUNTING CUTOUTS

CABINET MOUNTING CUTOUTS



ECD SPRING FORCE: 19N ± 2N PER SLIDE

general tolerances		DIN ISO 128-30 missing dimensions see 3D = theor. intersection	
ISO 2768-m			
This drawing remains our property and may not be multiplied neither be disclosed to third parties (§§1,3 and 5 from the copyright Act (UrhG)) covered according to DIN ISO 16016			
(k)	scale:	surface:	material, semi finished parts:
(l)	3:8		STEEL
(m)	date	name	(technical requirements Fulterer)
(n)	drawn 15-02-2019	HB	description: SIDE MOUNT FULL EXTENSION SMT (0.9) SOFT CLOSE DRAWER SLIDE WITH DISCONNECT
(o)	proven 00-00-0000	00	
(p)	Fulterer		drawing number: 5001.450-GA.T104
(q)			
(r)	Fulterer AG CH-9430 St. Margrethen		replaces version date:
(s)	changes	date	na.

DETAIL A
SCALE 1:1

DETAIL B
SCALE 1.5 : 1