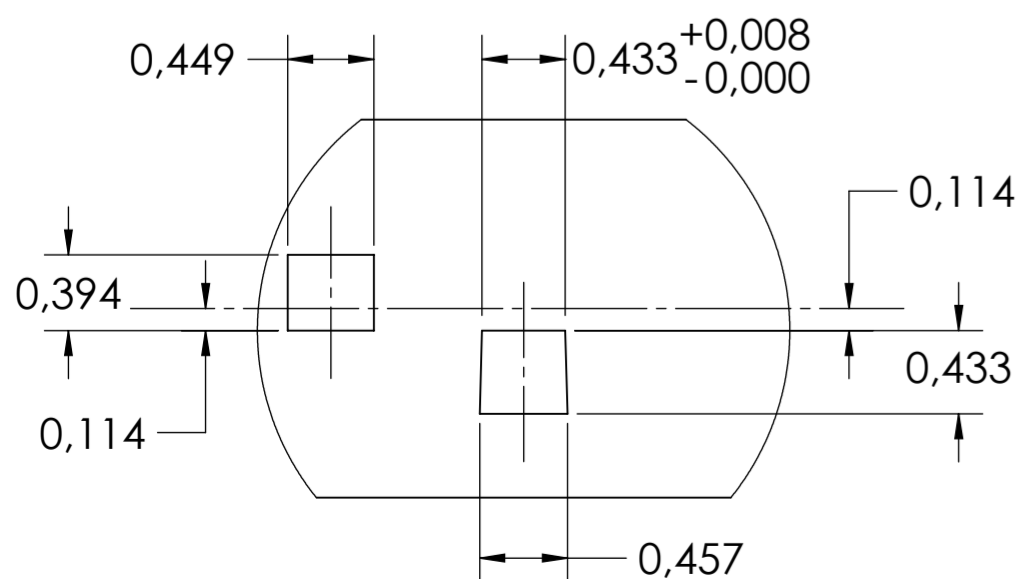
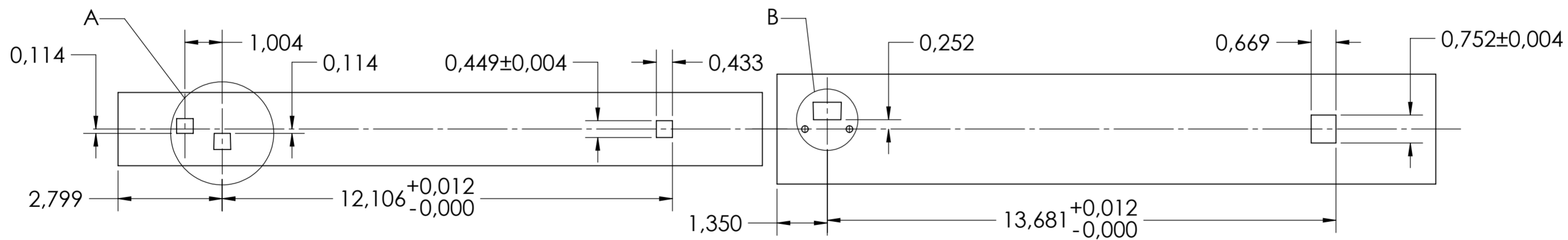
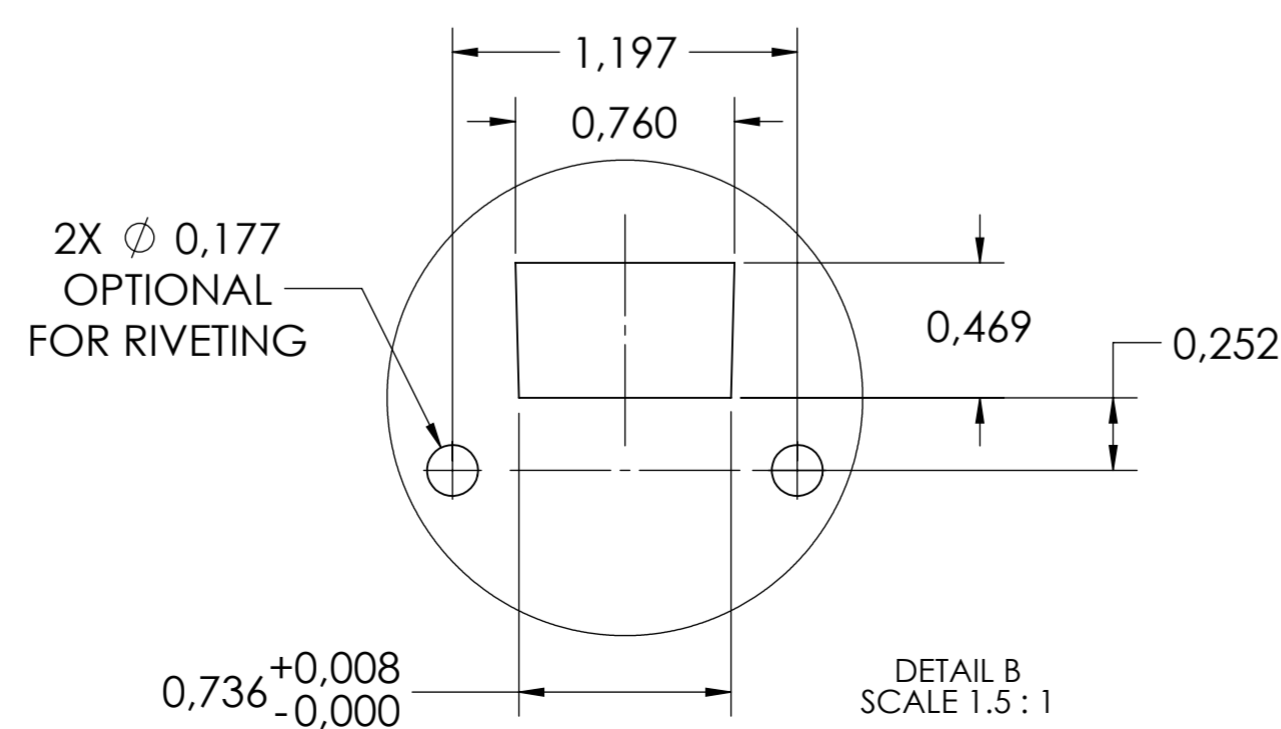


DRAWER MOUNTING CUTOUTS

CABINET MOUNTING CUTOUTS



DETAIL A
SCALE 1:1



DETAIL B
SCALE 1.5:1

ECD SPRING FORCE 19N ± 2N PER SLIDE

general tolerances		DIN ISO 128-30 missing dimensions see 3D = theor. intersection	
ISO 2768-m			
This drawing remains our property and may not be multiplied neither be disclosed to third parties (§§1,3 and 5 from the copyright Act (UrhG)) covered according to DIN ISO 16016			
(k)	scale:	3:8	surface:
(l)	date	20-02-2019	name
(m)	drawn	HB	
(n)	proven	00-00-0000	00
(o)	Fulterer		material, semi finished parts:
(p)			STEEL
(q)			(technical requirements Fulterer)
(r)			description:
(s)			SIDE MOUNT FULL EXTENSION DRAWER SLIDE SMT SOFT CLOSE WITH DRAWER DISCONNECT
(t)			drawing number:
(u)			5001.450-GA.T105
(v)			replaces version date:
(w)	changes	date	na.
(x)	0	00-00-0000	0