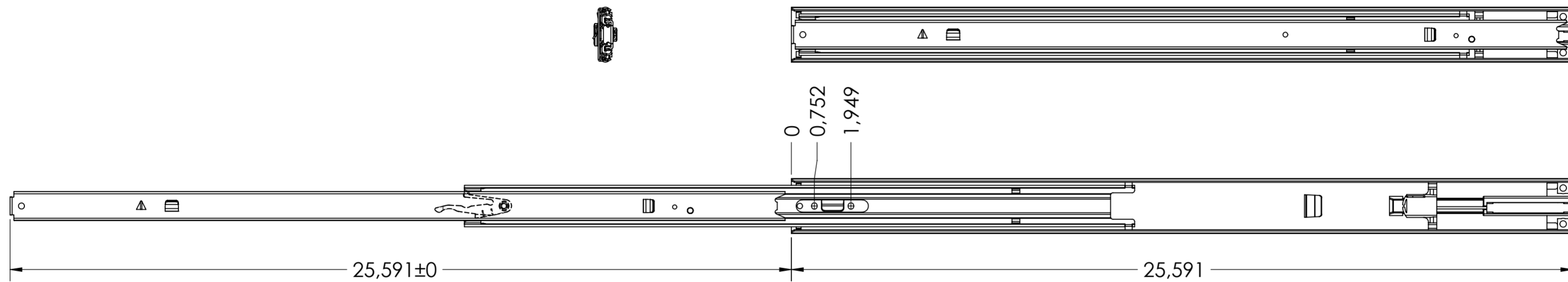
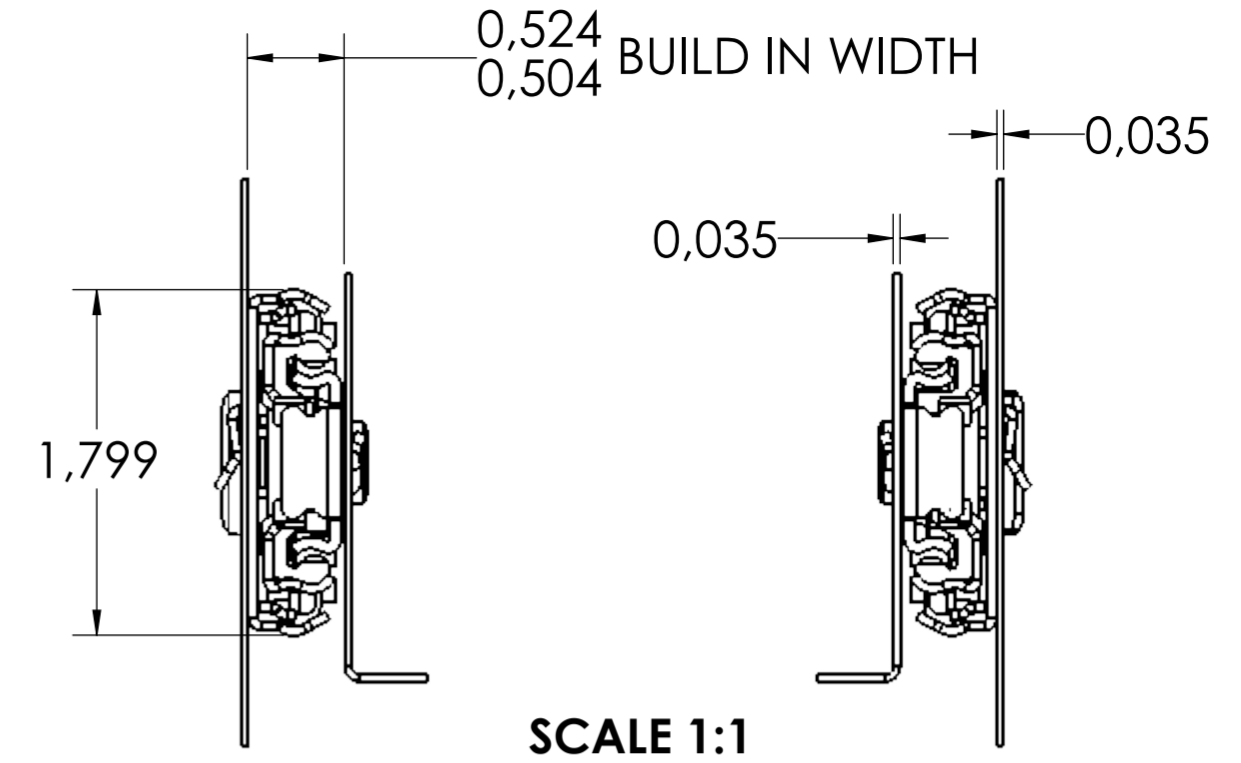
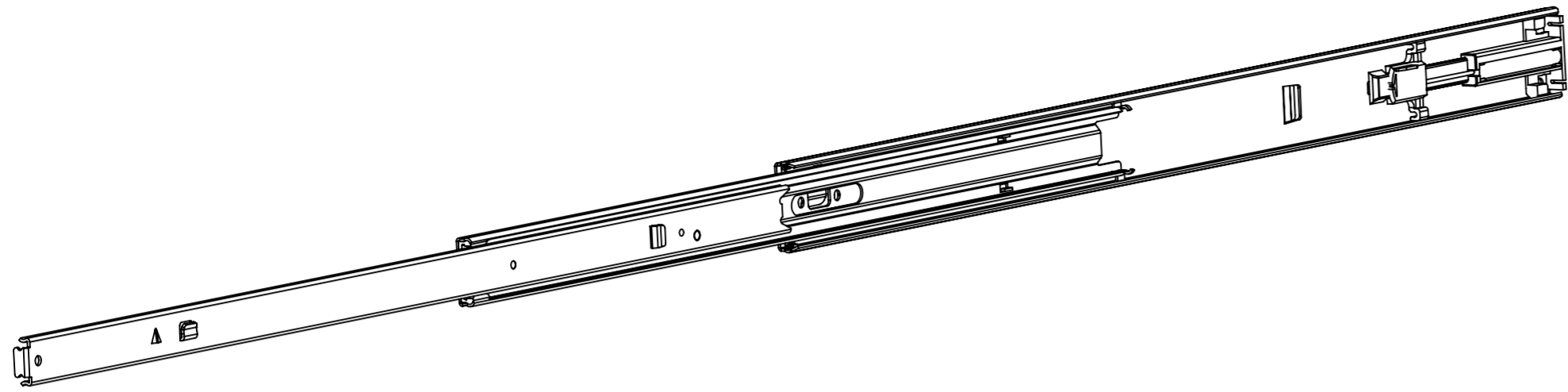


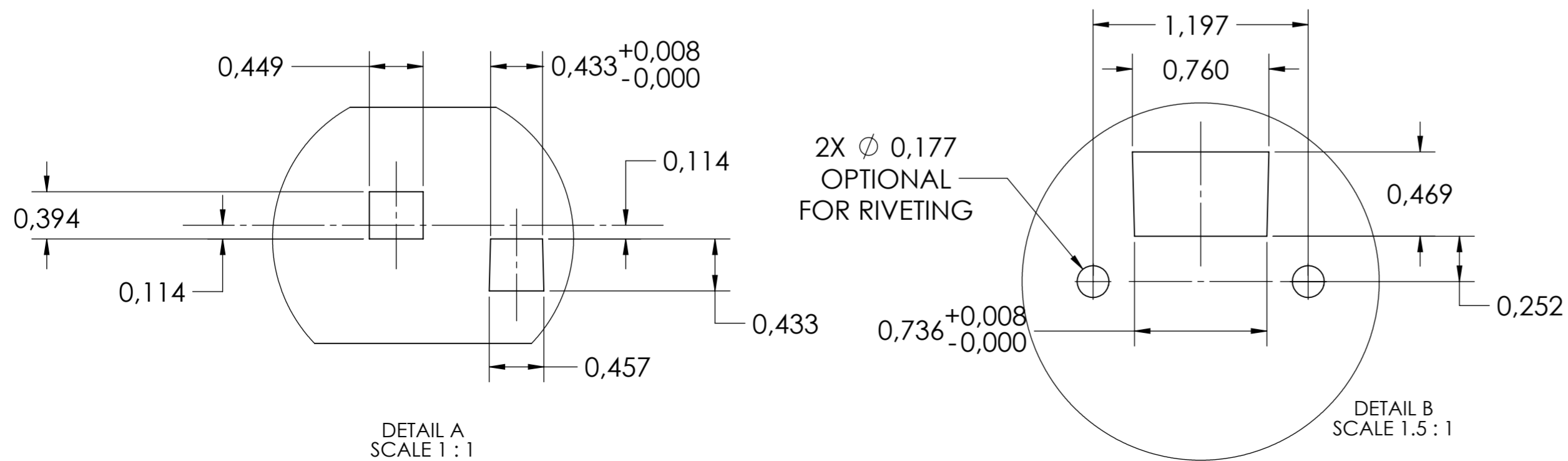
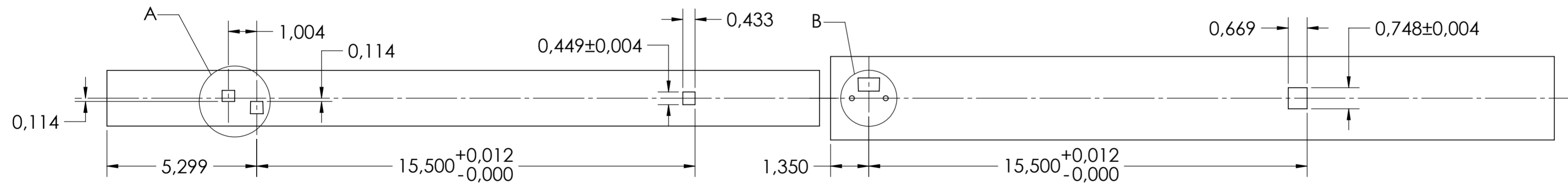
# 5001.650-GA.T104

X



## DRAWER MOUNTING CUTOUTS

## CABINET MOUNTING CUTOUTS



DETAIL A  
SCALE 1 : 1

DETAIL B  
SCALE 1.5 : 1

**ECD SPRING FORCE: 19N ± 2N PER SLIDE**

general tolerances		DIN ISO 128-30 missing dimensions see 3D = theor. intersection	
ISO 2768-m			
This drawing remains our property and may not be multiplied neither be disclosed to third parties (§§1,3 and 5 from the copyright Act (UrhG)) covered according to DIN ISO 16016			
scale: 1:3		surface: A2	
drawn: 15-02-2019		name: HB	
proven: 00-00-0000		00	
<b>Fulterer</b>		description: SIDE MOUNT FULL EXTENSION SMT (0.9) SOFT CLOSE DRAWER SLIDE WITH DISCONNECT	
Fulterer AG & Co KG A-6890 Lustenau / Austria		drawing number: <b>5001.650-GA.T104</b>	
Fulterer AG CH-9430 St. Margrethen		replaces version date:	
ind.	changes	date	na.