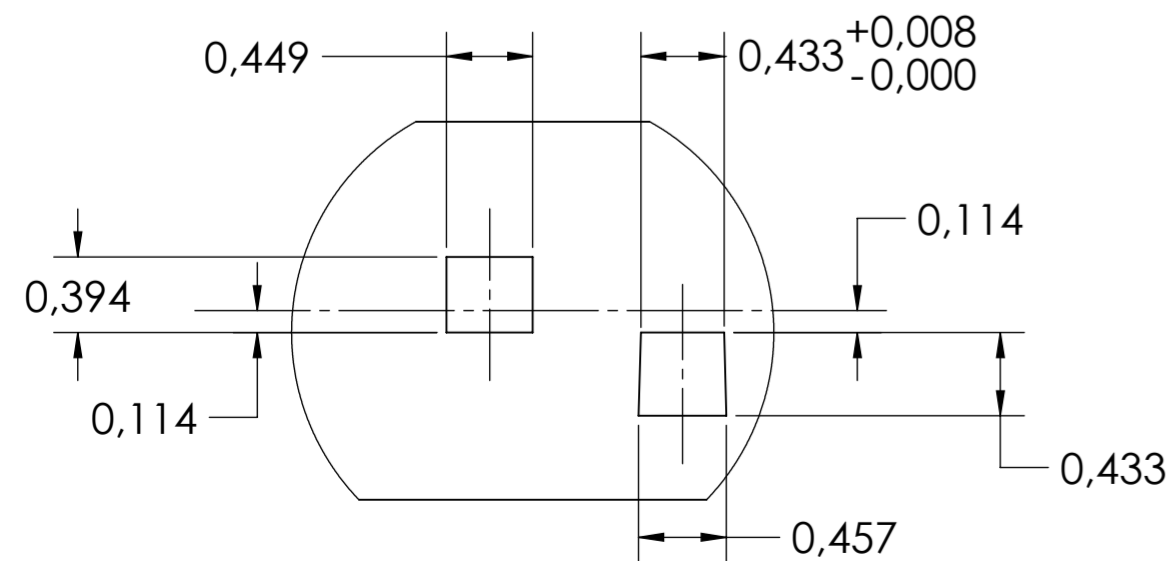
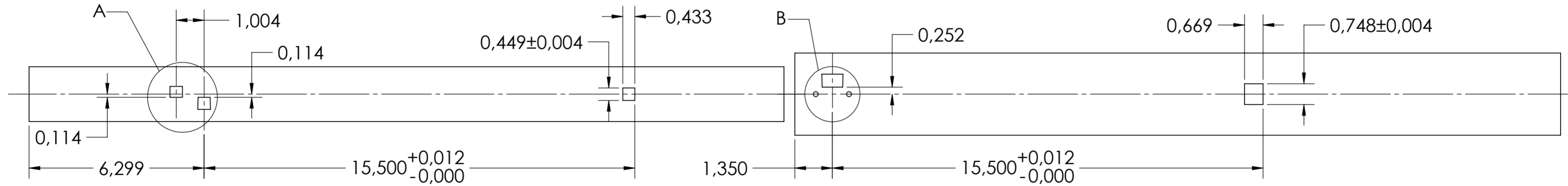
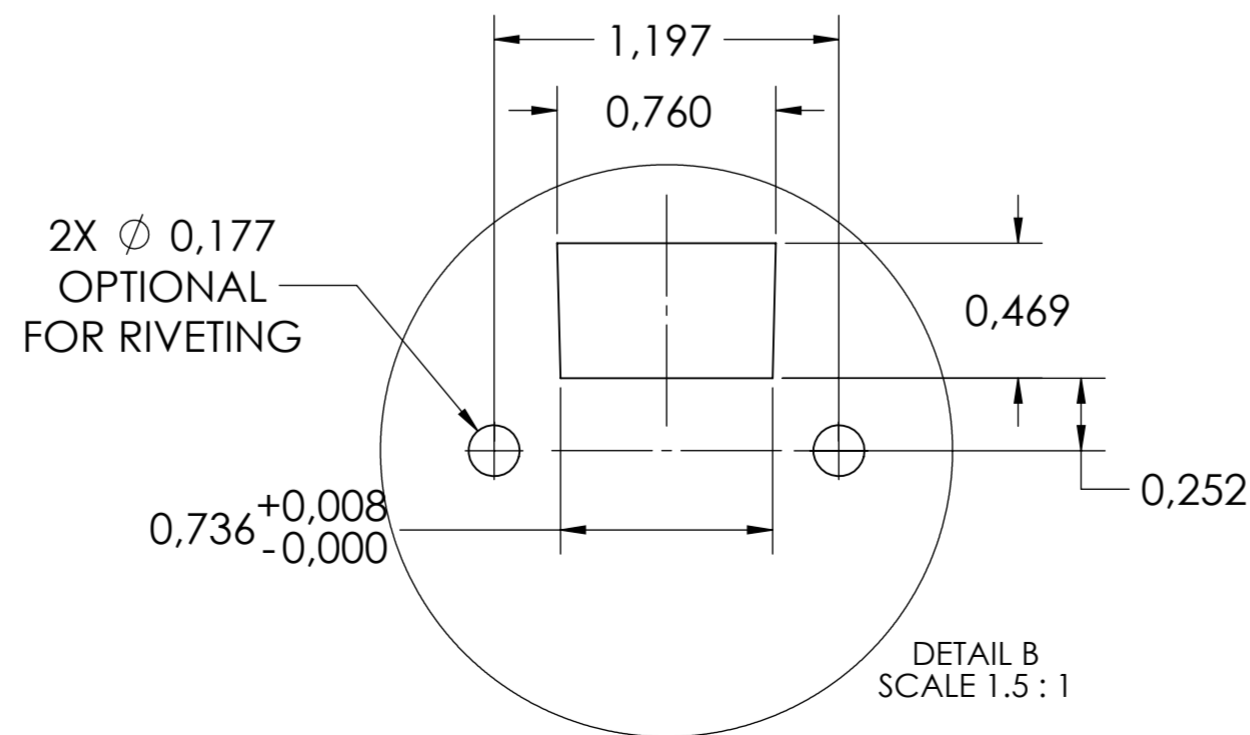


DRAWER MOUNTING CUTOUTS

CABINET MOUNTING CUTOUTS



DETAIL A
SCALE 1:1



DETAIL B
SCALE 1.5:1

ECD SPRING FORCE: 19N ± 2N PER SLIDE

general tolerances		DIN ISO 128-30 missing dimensions see 3D = theor. intersection	
ISO 2768-m			
This drawing remains our property and may not be multiplied neither be disclosed to third parties (§§1,3 and 5 from the copyright Act (UrhG)) covered according to DIN ISO 16016			
scale: 1:3		surface: A2	
date: 15-02-2019		name: HB	
drawn: 15-02-2019		description: SIDE MOUNT FULL EXTENSION SMT (0.9) SOFT CLOSE DRAWER SLIDE WITH DISCONNECT	
proven: 00-00-0000		drawing number: 5001.700-GA.T104	
changes		replaces version date:	
date: 00-00-0000		na.	
ind.		na.	