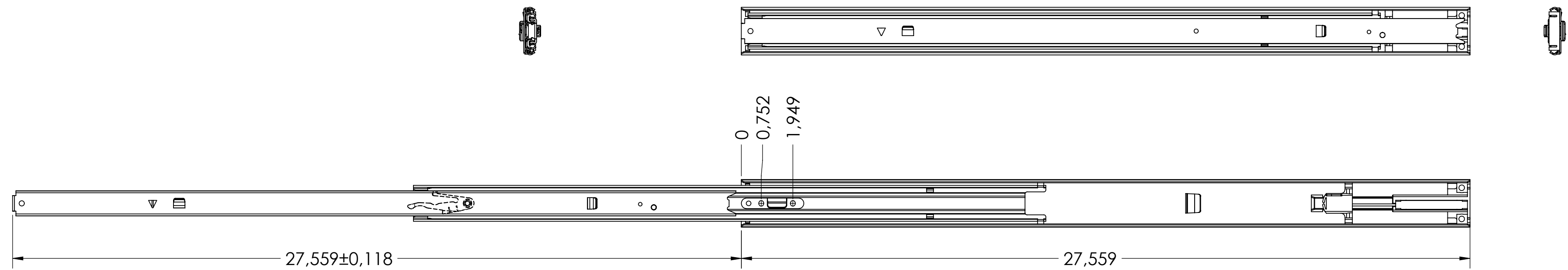
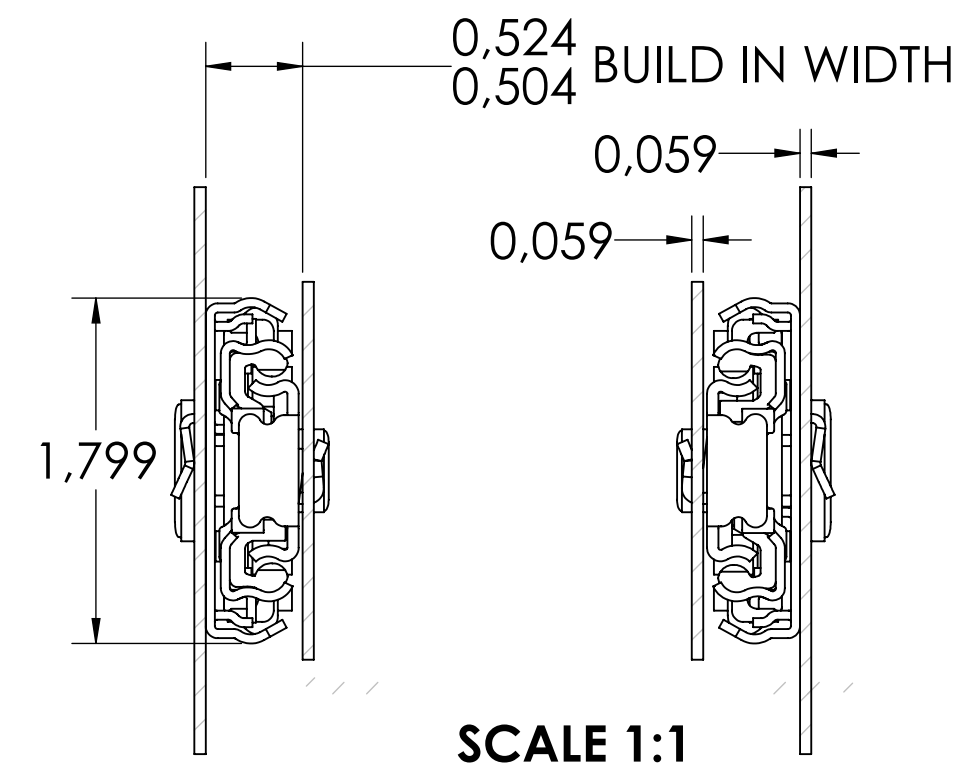
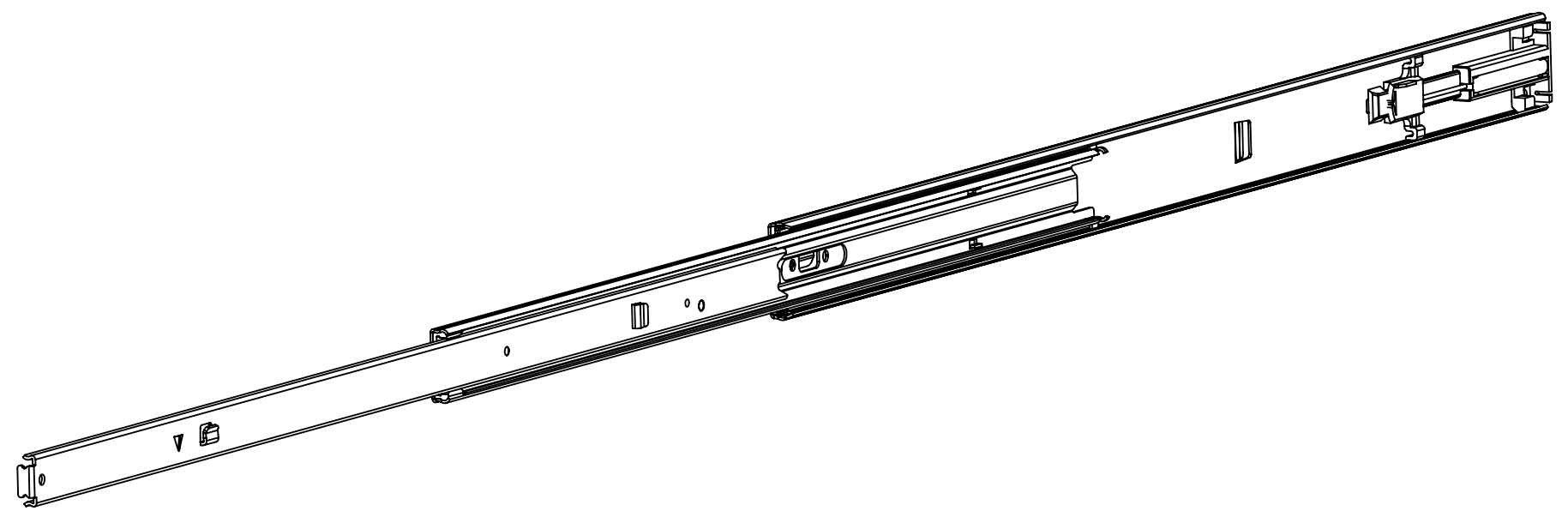
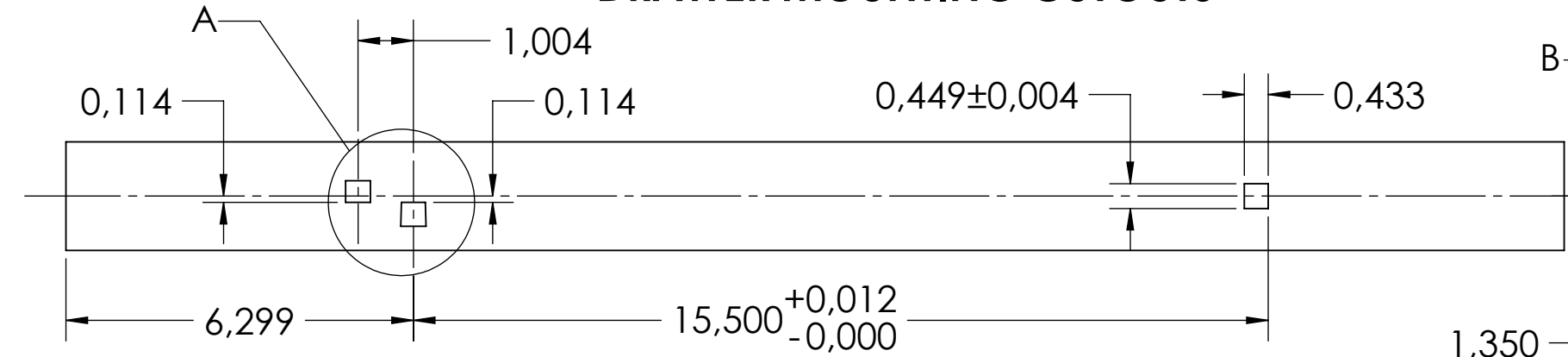


# 5001.700-GA.T105

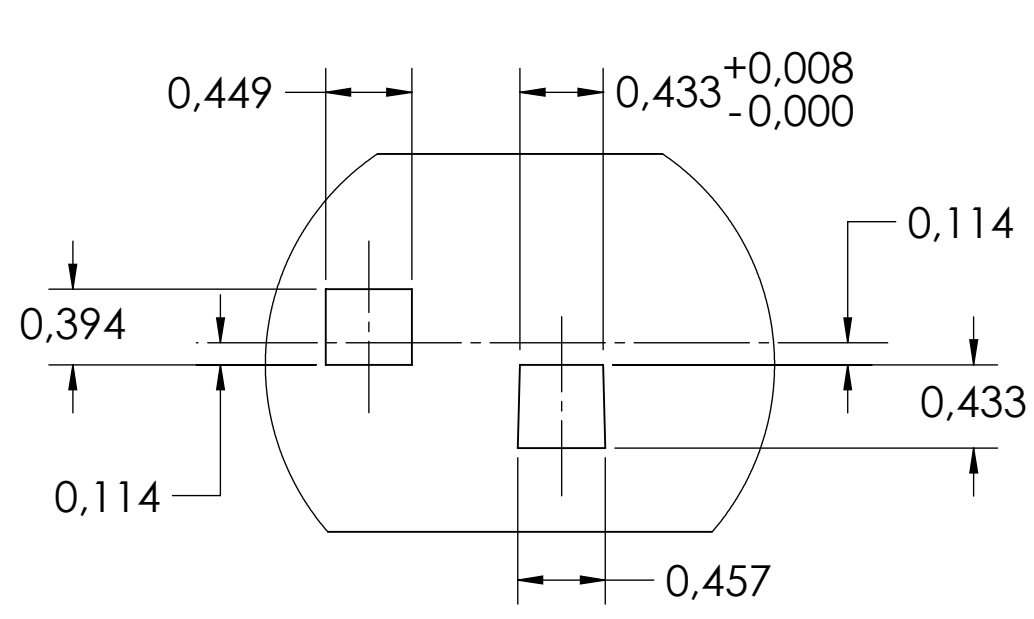
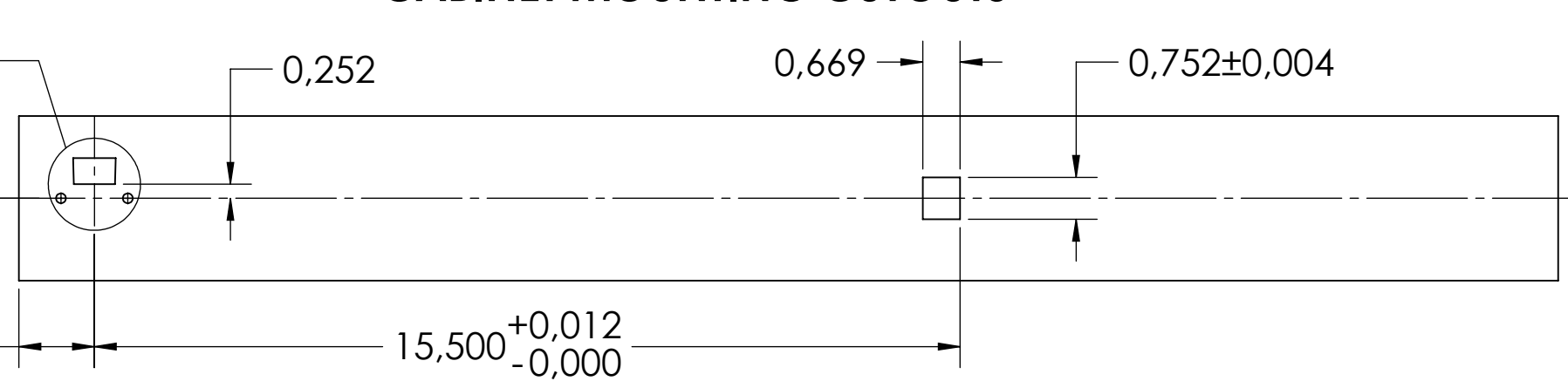
X



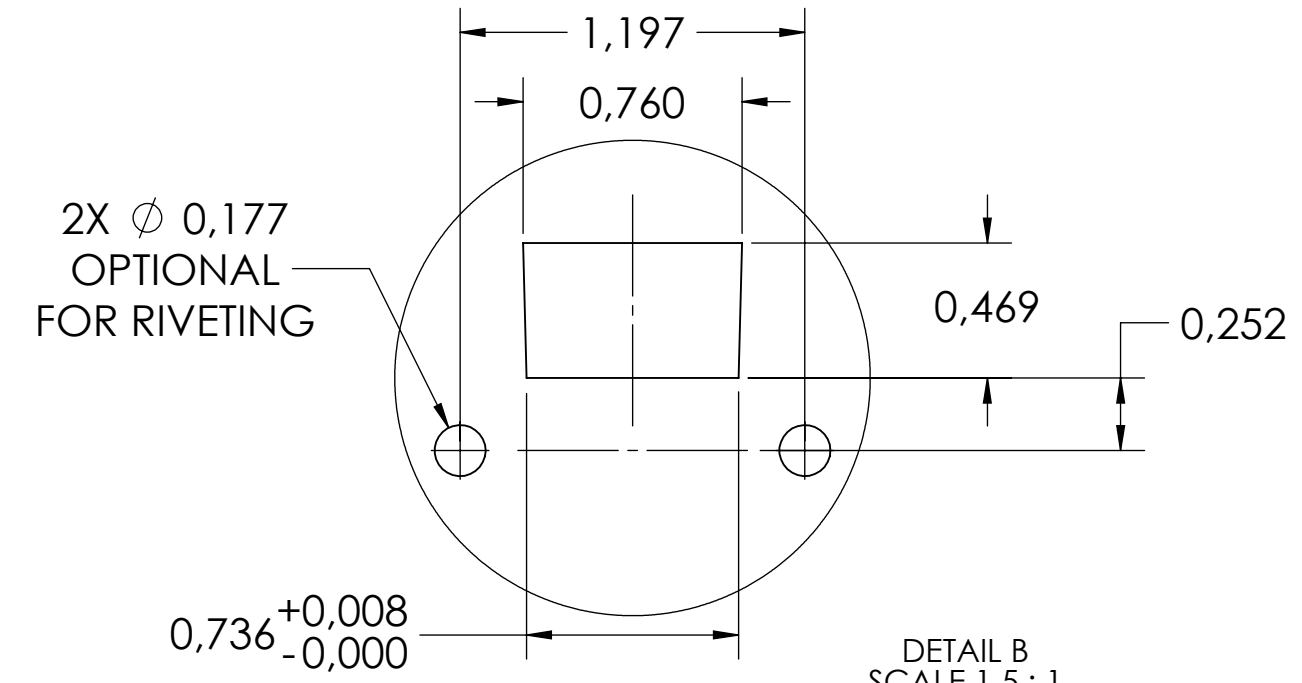
## DRAWER MOUNTING CUTOUTS



## CABINET MOUNTING CUTOUTS



DETAIL A  
SCALE 1:1



DETAIL B  
SCALE 1.5:1

**ECD SPRING FORCE 19N ± 2N PER SLIDE**

general tolerances		DIN ISO 128-30 missing dimensions see 3D = theor. intersection	
ISO 2768-m			
This drawing remains our property and may not be multiplied neither be disclosed to third parties (§§1,3 and 5 from the copyright Act (UrhG)) covered according to DIN ISO 16016			
(k)		scale:	surface:
(l)		1:3	
(i)		date	name
(h)		drawn 20-02-2019	HB
(g)		proven 00-00-0000	00
(f)		<b>Fulterer</b>	
(e)			
(d)		material, semi finished parts: <b>STEEL</b> (technical requirements Fulterer)	
(c)		description: <b>SIDE MOUNT FULL EXTENSION DRAWER SLIDE SMT SOFT CLOSE WITH DRAWER DISCONNECT</b>	
(b)		drawing number: <b>5001.700-GA.T105</b>	
(a)	0	00-00-0000	0
ind.	changes	date	na.