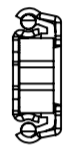
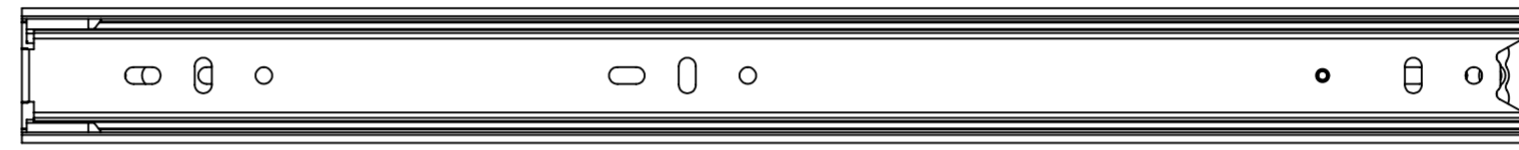
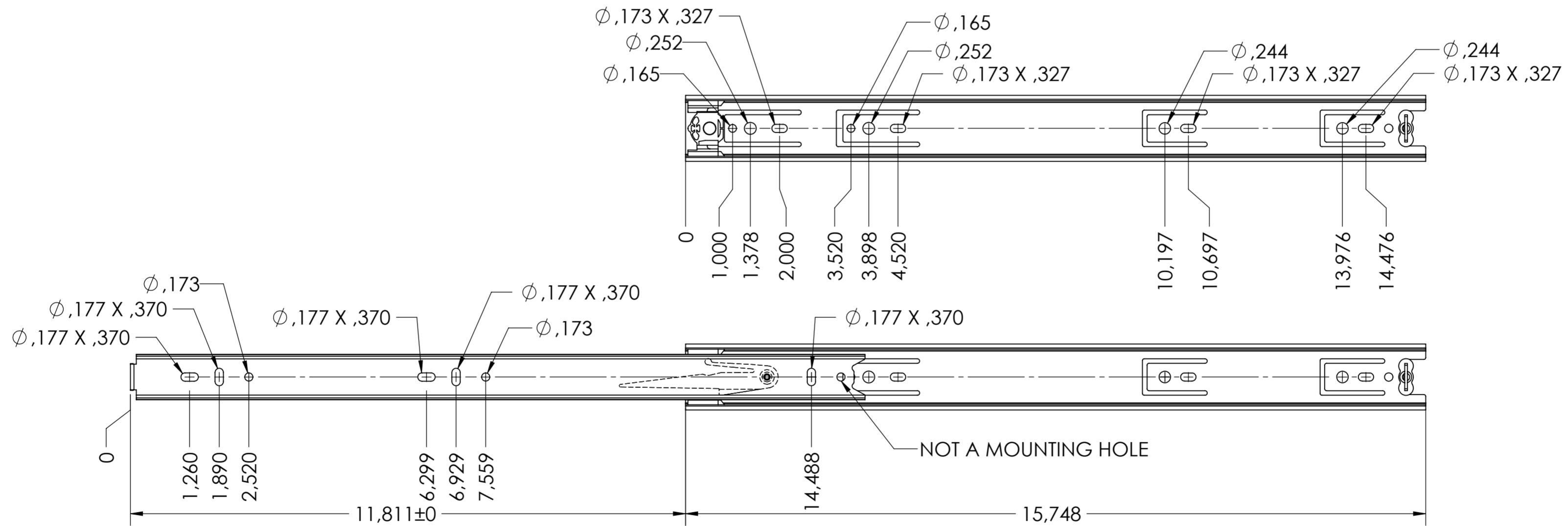


SCALE 1:1



CABINET MOUNTING HOLES



RECOMMENDED HARDWARE:

CABINET- M4 BUTTON HEAD OR #8 TRUSS HEAD SCREW

DRAWER- M4 BUTTON HEAD OR #8 TRUSS HEAD SCREW

| | | | |
|--|--|--|----------|
| general tolerances | | DIN ISO 128-30 missing dimensions see 3D = theor. intersection | |
| ISO 2768-m | | | |
| This drawing remains our property and may not be multiplied neither be disclosed to third parties (§§1,3 and 5 from the copyright Act (UrhG)) covered according to DIN ISO 16016 | | | |
| (k) | | scale: | surface: |
| (l) | | 1:2 | |
| (m) | | date | name |
| (n) | | drawn 06-03-2019 | HB |
| (o) | | proven 00-00-0000 | 00 |
| (p) | | Fulterer | |
| (q) | | | |
| (r) | | Fulterer AG & Co KG A-6890 Lustenau / Austria | |
| (s) | | Fulterer AG CH-9430 St. Margrethen | |
| (t) | | drawing number: 5005.400-GA.T022 | |
| (u) | | replaces version date: | |
| (v) | | ind. | changes |
| (w) | | date | na. |
| (x) | | 00-00-0000 | 0 |