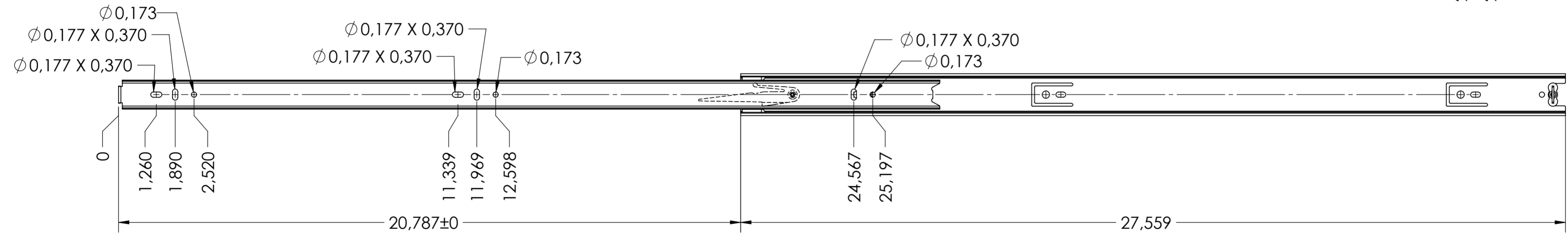
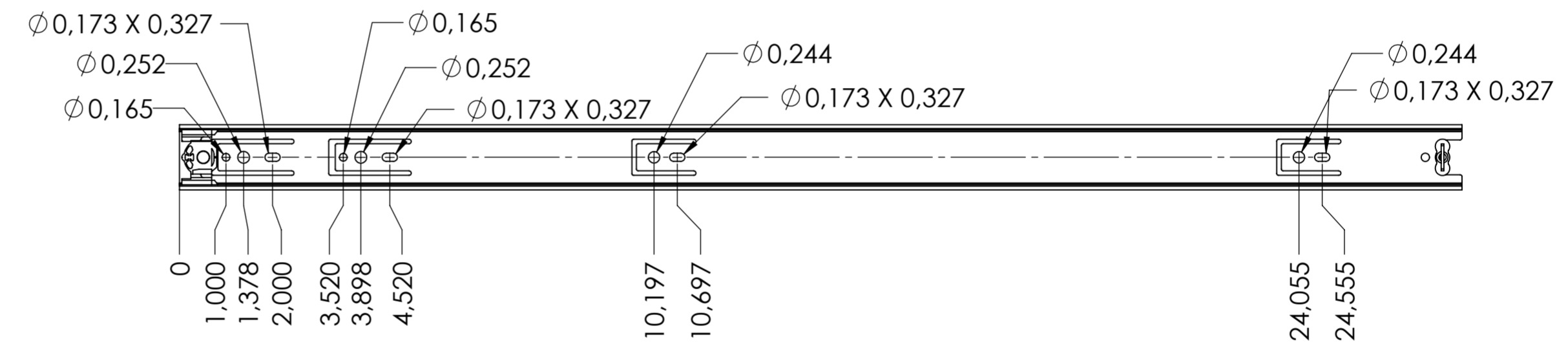


SCALE 1:1



CABINET MOUNTING HOLES



RECOMMENDED HARDWARE:

- CABINET- M4 BUTTON HEAD OR #8 TRUSS HEAD SCREW
- DRAWER- M4 BUTTON HEAD OR #8 TRUSS HEAD SCREW

general tolerances		DIN ISO 128-30	
ISO 2768-m		missing dimensions see 3D = theor. intersection	
This drawing remains our property and may not be multiplied neither be disclosed to third parties (§§1,3 and 5 from the copyright Act (UrhG)) covered according to DIN ISO 16016			
(k)	scale:	surface:	material, semi finished parts:
(l)	3:8		STEEL
(m)	date	name	(technical requirements Fulterer)
(n)	drawn 06-03-2019	HB	description: SIDE MOUNTED REGULAR EXTENSION DRAWER SLIDE WITH DISCONNECT
(o)	proven 00-00-0000	00	
(p)	Fulterer		drawing number: 5005.700-GA.T022
(q)			
(r)	Fulterer AG CH-9430 St. Margrethen		replaces version date:
(s)	ind. changes	date	na.