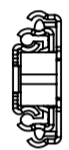
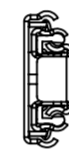
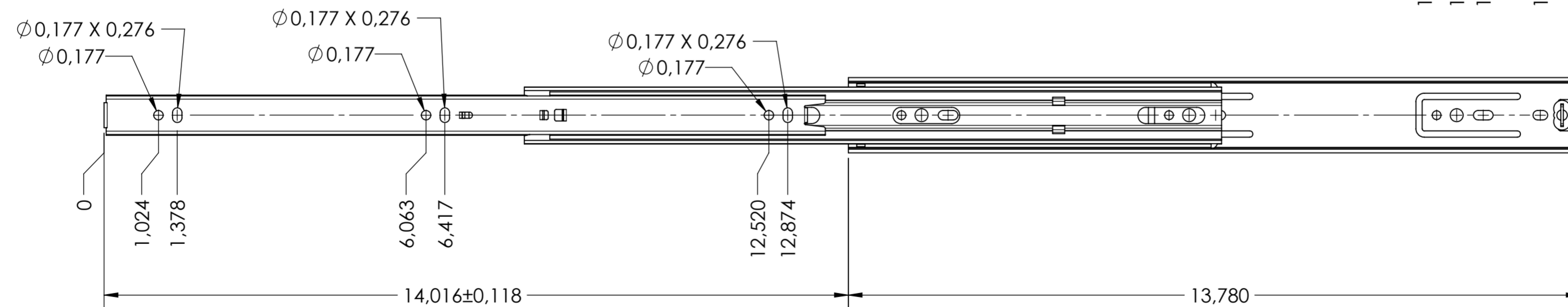
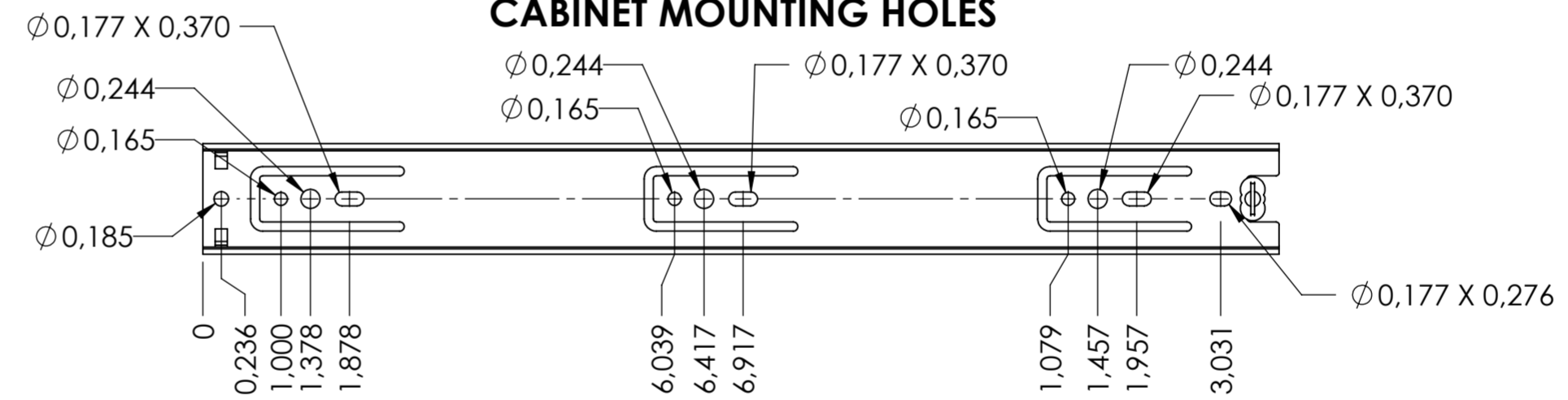


SCALE 1:1



CABINET MOUNTING HOLES



RECOMMENDED HARDWARE:
 CABINET- SPAX 3.5 M4 BUTTON HEAD OR #8 TRUSS HEAD SCREW
 DRAWER- SPAX 3.5 M4 BUTTON HEAD OR #8 TRUSS HEAD SCREW

general tolerances		DIN ISO 128-30 missing dimensions see 3D = theor. intersection	
ISO 2768-m			
This drawing remains our property and may not be multiplied neither be disclosed to third parties (§§1,3 and 5 from the copyright Act (UrhG)) covered according to DIN ISO 16016			
scale:		surface:	
1:2		A2	
date		name	
drawn 05-02-2019		HB	
proven 00-00-0000		00	
		description:	
		SIDE MOUNT FULL EXTENSION DRAWER SLIDE WITH DRAWER DISCONNECT	
drawing number:		5036.350-GA.T000	
replaces version date:			
ind.	changes	date	na.
0		00-00-0000	0