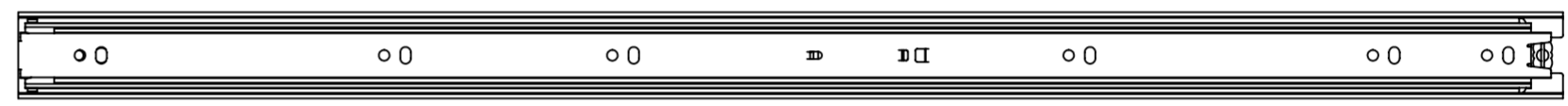
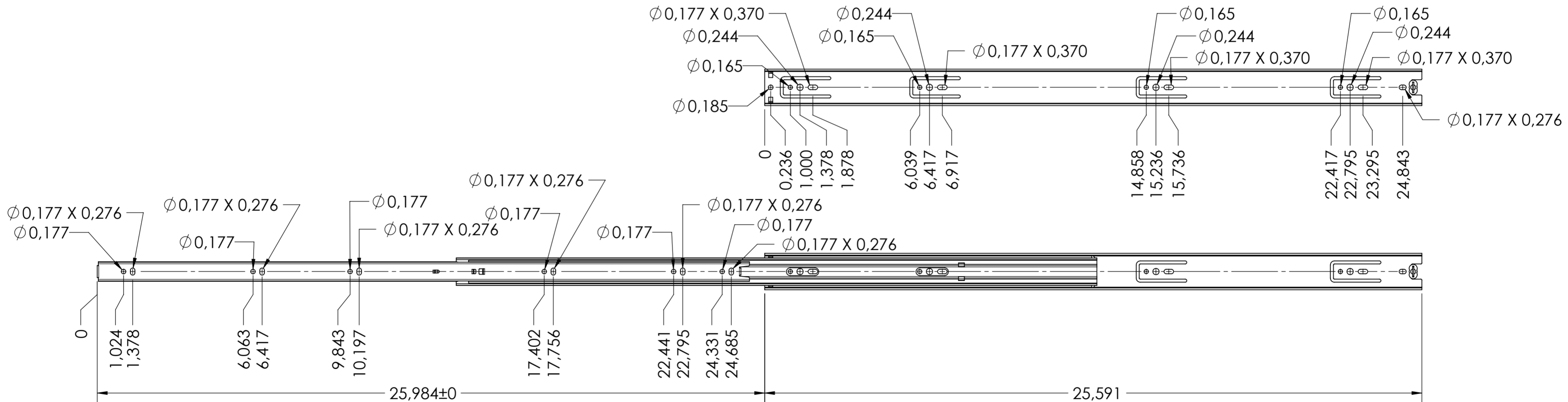


SCALE 1:1



CABINET MOUNTING HOLES



RECOMMENDED HARDWARE:
CABINET- SPAX 3.5 M4 BUTTON HEAD OR #8 TRUSS HEAD SCREW
DRAWER- SPAX 3.5 M4 BUTTON HEAD OR #8 TRUSS HEAD SCREW

general tolerances		DIN ISO 128-30	
ISO 2768-m		missing dimensions see 3D	
		= theor. intersection	
This drawing remains our property and may not be multiplied neither be disclosed to third parties (§§1,3 and 5 from the copyright Act (UrhG))			
covered according to DIN ISO 16016		scale:	surface:
(k)		1:3	
(l)		date	name
(m)		drawn 05-02-2019	HB
(n)		proven 00-00-0000	00
(o)			
(p)			
(q)		Fulterer AG & Co KG	
(r)		A-6890 Lustenau / Austria	
(s)		Fulterer AG	
(t)		CH-9430 St. Margrethen	
(u)		drawing number:	
(v)		5036.650-GA.T000	
(w)		replaces version date:	
(x)			
ind.	changes	date	na.