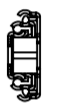
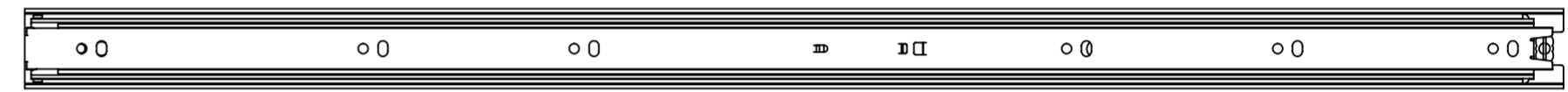
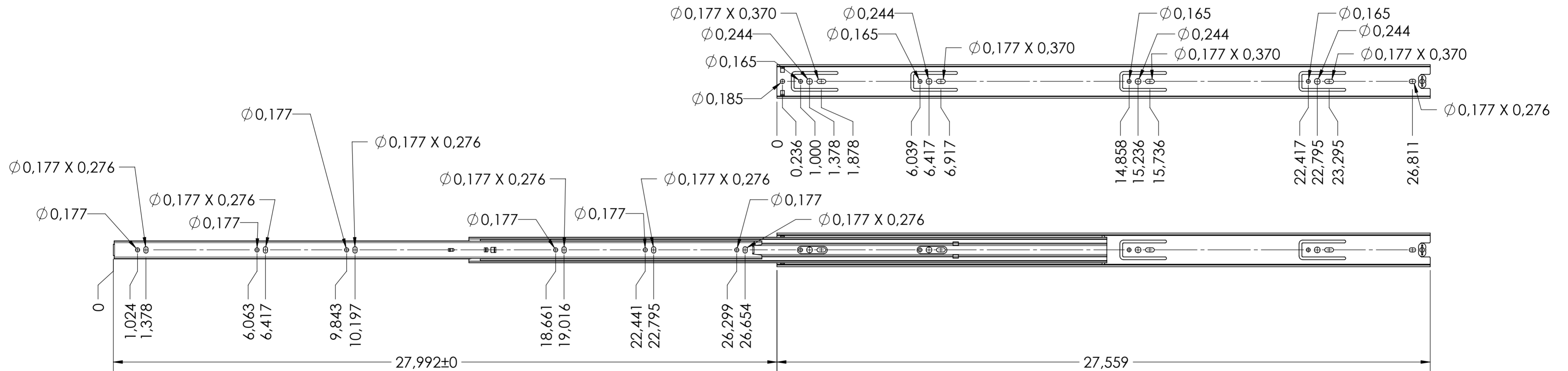


SCALE 1:1



CABINET MOUNTING HOLES



RECOMMENDED HARDWARE:

CABINET- SPAX 3.5 M4 BUTTON HEAD OR #8 TRUSS HEAD SCREW

DRAWER- SPAX 3.5 M4 BUTTON HEAD OR #8 TRUSS HEAD SCREW

general tolerances		DIN ISO 128-30	
ISO 2768-m		missing dimensions see 3D = theor. intersection	
This drawing remains our property and may not be multiplied neither be disclosed to third parties (§§1,3 and 5 from the copyright Act (UrhG)) covered according to DIN ISO 16016			
(k)	scale:	1:3	surface:
(l)	date	05-02-2019	name
(m)	drawn	HB	description:
(n)	proven	00-00-0000	00
(o)	Fulterer		drawing number: 5036.700-GA.T000
(p)			
(q)	Fulterer AG CH-9430 St. Margrethen		replaces version date:
(r)	ind.	changes	date
(s)			na.