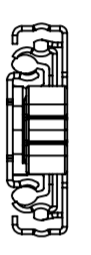
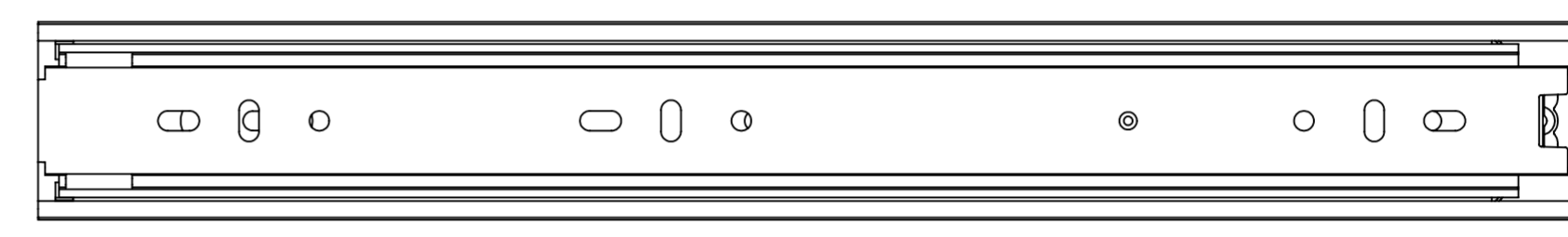
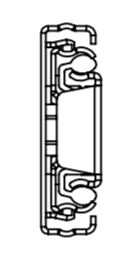
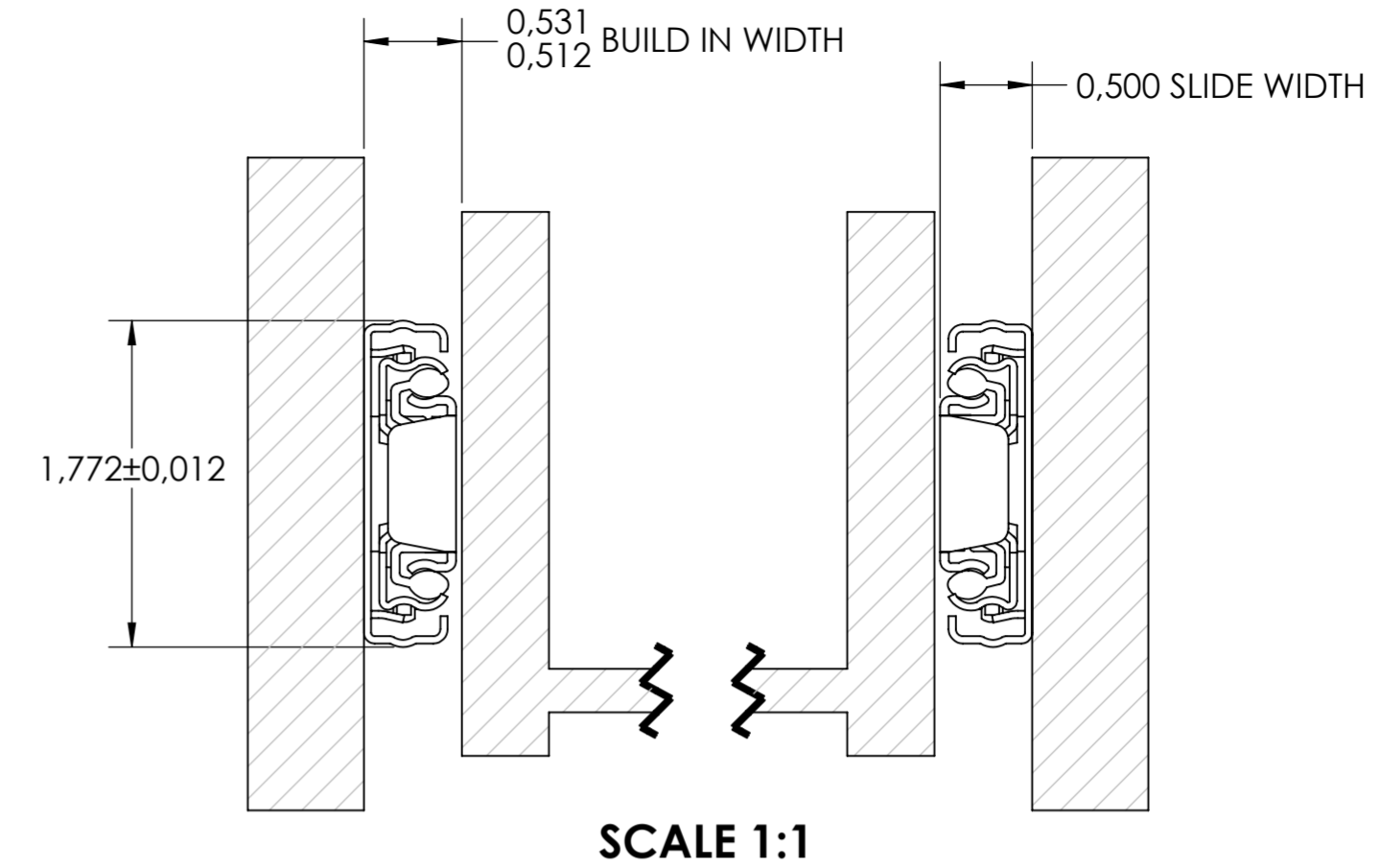
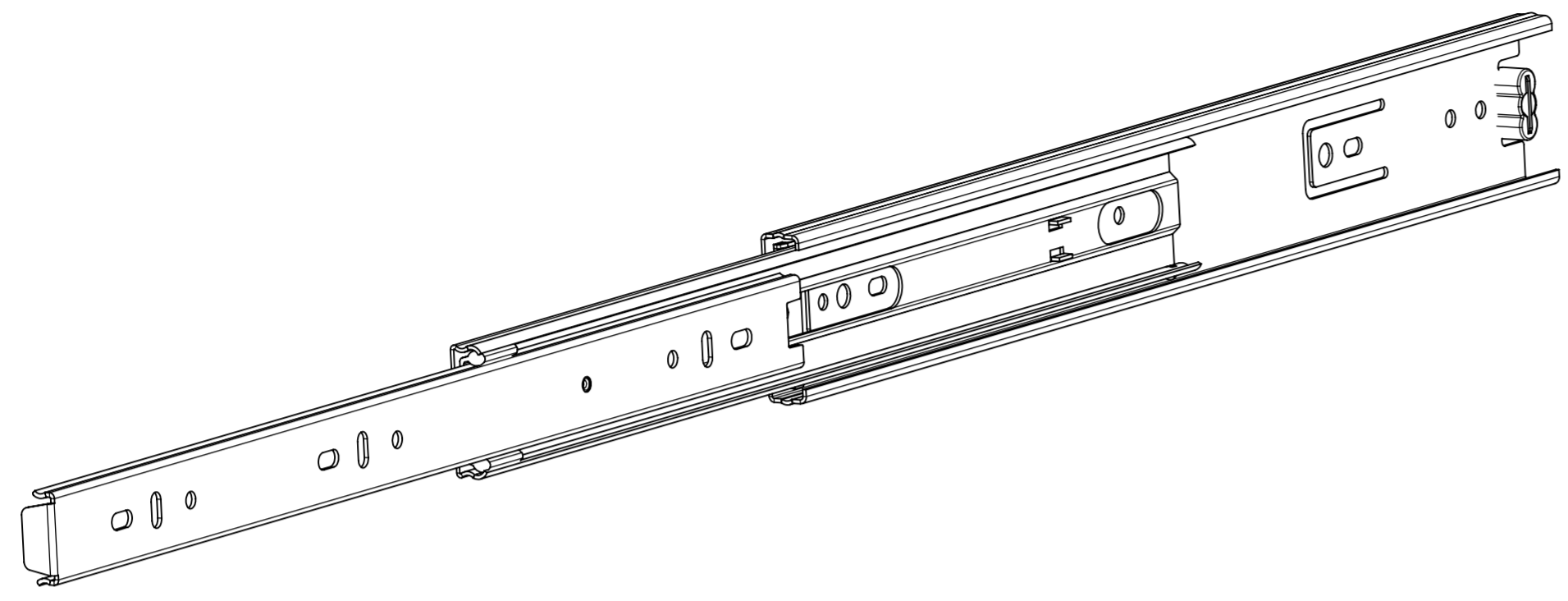
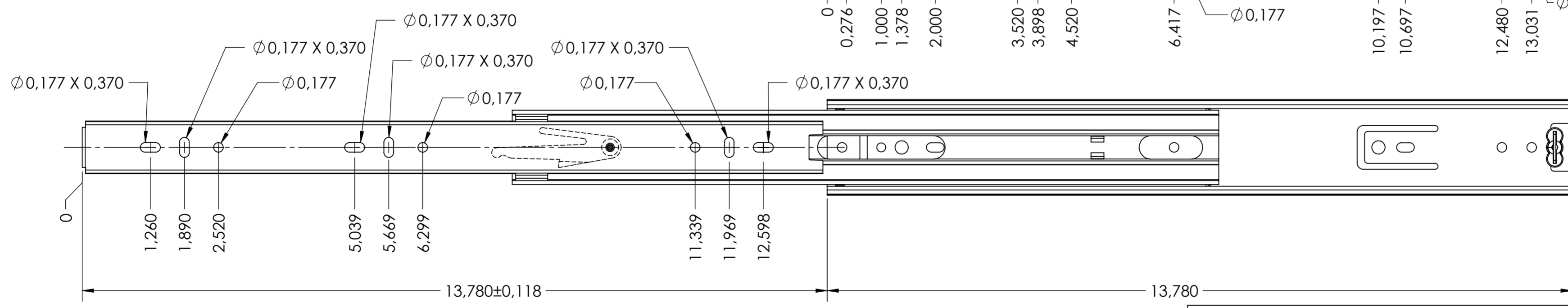
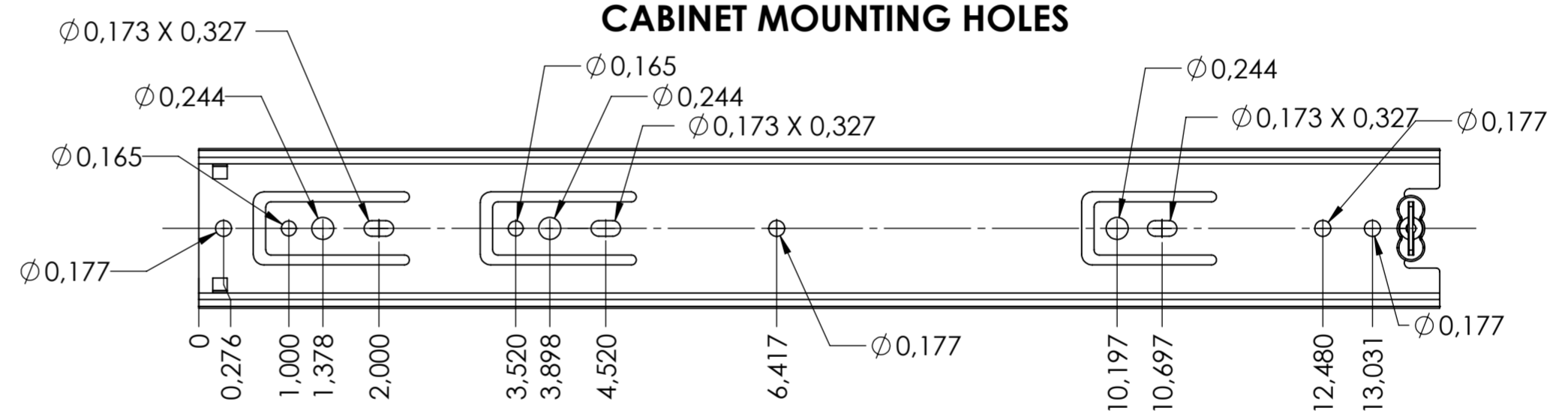


5045.350-GA.C000A

X



CABINET MOUNTING HOLES



RECOMMENDED HARDWARE:
 CABINET- 3.5mm SPAX M4 BUTTON HEAD OR #8 TRUSS HEAD SCREW
 DRAWER- 3.5mm SPAX M4 BUTTON HEAD OR #8 TRUSS HEAD SCREW

general tolerances		DIN ISO 128-30 missing dimensions see 3D = theor. intersection	
ISO 2768-m			
This drawing remains our property and may not be multiplied neither be disclosed to third parties (§§1,3 and 5 from the copyright Act (UrhG)) covered according to DIN ISO 16016			
scale: 5:8		surface:	
date: 15-10-2019		name: HB	
proven: 00-00-0000		00	
		material, semi finished parts: STEEL (technical requirements Fulterer)	
Fulterer AG & Co KG A-6890 Lustenau / Austria Fulterer AG CH-9430 St. Margrethen		description: SIDE MOUNT FULL EXTENSION SLIDE WITH DRAWER DISCONNECT	
drawing number: 5045.350-GA.C000A		replaces version date:	
ind.	changes	date	na.