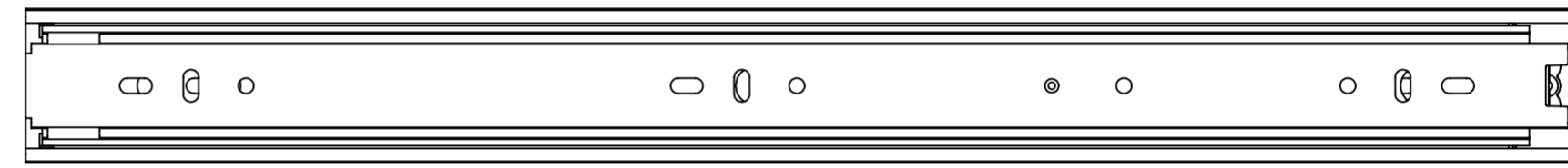
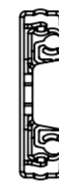
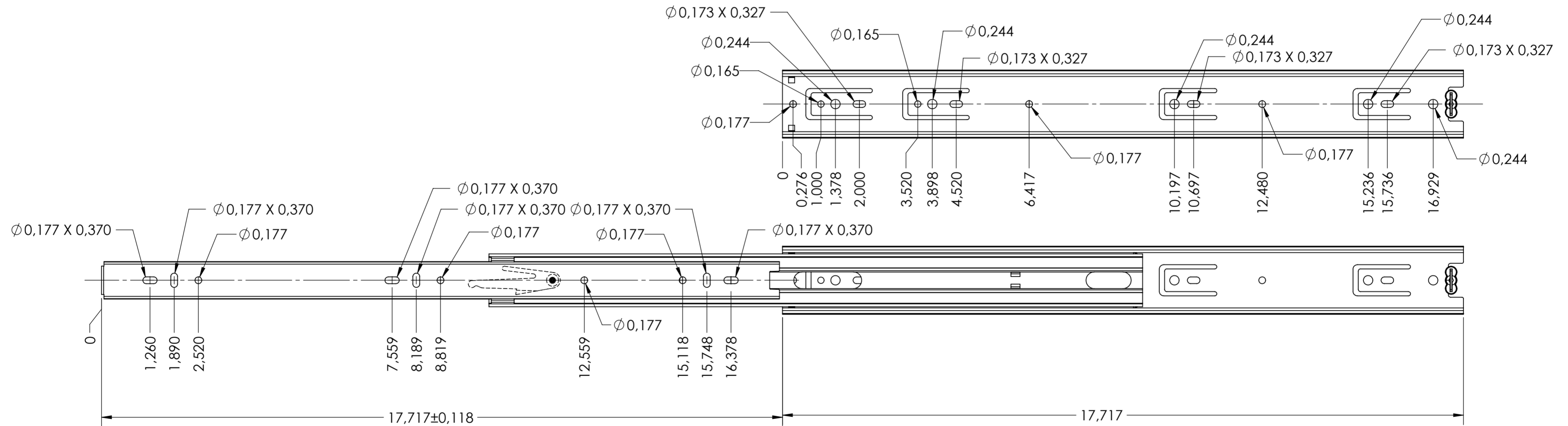


SCALE 1:1



### CABINET MOUNTING HOLES



#### RECOMMENDED HARDWARE:

CABINET- 3.5mm SPAX M4 BUTTON HEAD OR #8 TRUSS HEAD SCREW

DRAWER- 3.5mm SPAX M4 BUTTON HEAD OR #8 TRUSS HEAD SCREW

general tolerances		DIN ISO 128-30 missing dimensions see 3D = theor. intersection	
ISO 2768-m			
This drawing remains our property and may not be multiplied neither be disclosed to third parties (§§1,3 and 5 from the copyright Act (UrhG)) covered according to DIN ISO 16016			
(k)		scale:	material, semi finished parts: <b>A2</b>
(l)		1:2	STEEL
(m)		surface:	(technical requirements Fulterer)
(n)		date	description:
(o)		drawn 15-10-2019	HB
(p)		proven 00-00-0000	00
(q)		<b>Fulterer</b>	
(r)		drawing number:	
(s)		<b>5045.450-GA.C000A</b>	
(t)		replaces version date:	
(u)		Fulterer AG & Co KG A-6890 Lustenau / Austria	
(v)		Fulterer AG CH-9430 St. Margrethen	
(w)		ind. changes date na.	