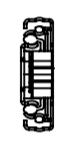
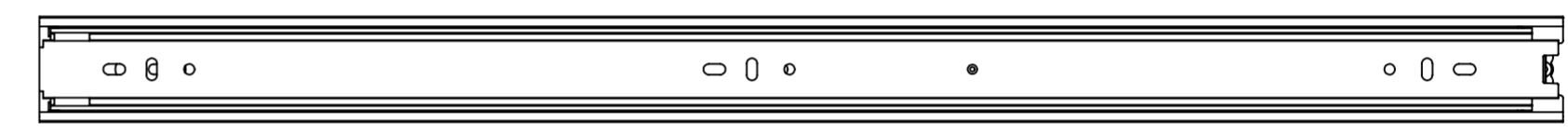
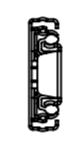
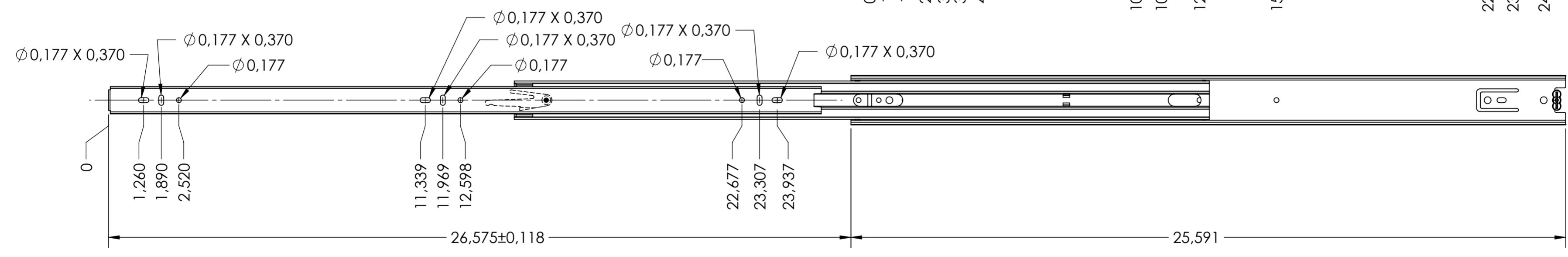
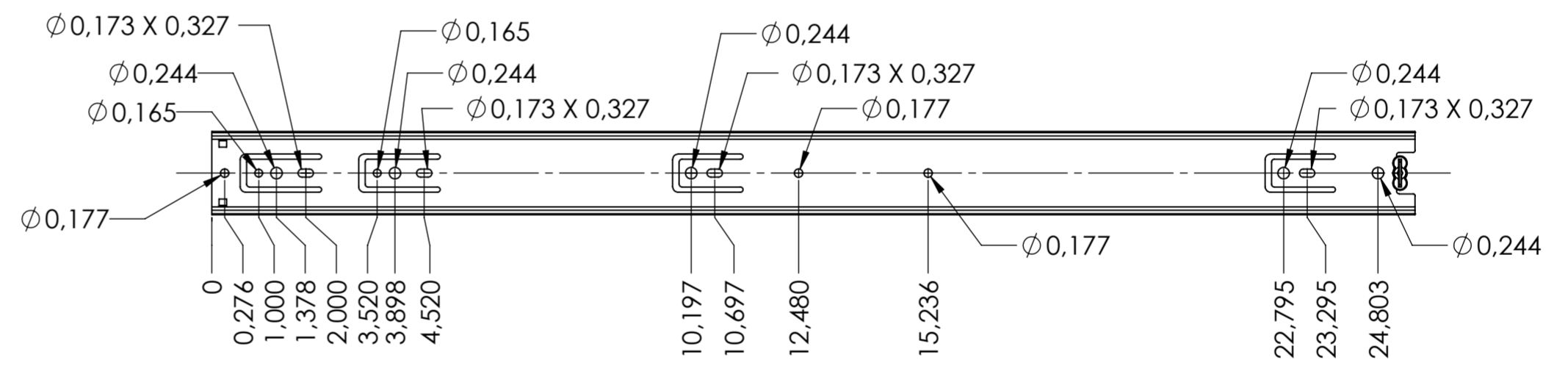


SCALE 1:1



### CABINET MOUNTING HOLES



RECOMMENDED HARDWARE:  
 CABINET- 3.5mm SPAX M4 BUTTON HEAD OR #8 TRUSS HEAD SCREW  
 DRAWER- 3.5mm SPAX M4 BUTTON HEAD OR #8 TRUSS HEAD SCREW

|   |         |   |          |
|---|---------|---|----------|
| general tolerances  |         | DIN ISO 128-30<br>missing dimensions see 3D<br>= theor. intersection      |          |
| ISO 2768-m  |         |   |          |
| This drawing remains our property and may not be multiplied neither be disclosed to third parties (§§1,3 and 5 from the copyright Act (UrhG)) |         |   |          |
| covered according to DIN ISO 16016  |         | scale:  | surface: |
| (k)   |         | 1:3   |          |
| (l)   |         | date  | name     |
| (m)   |         | drawn 03-09-2020  | CS       |
| (n)   |         | proven 00-00-0000   | 00       |
| (o)   |         | <b>Fulterer</b>   |          |
| (p)   |         |   |          |
| (q)   |         | material, semi finished parts: STEEL (technical requirements Fulterer) A2 |          |
| (r)   |         | description: SIDE MOUNT OVER EXTENSION SLIDE WITH DRAWER DISCONNECT       |          |
| (s)   |         | drawing number: 5045.650-GA.C030A   |          |
| (t)   |         | replaces version date:  |          |
| (u)   |         | drawing number: 5045.650-GA.C030A   |          |
| (v)   |         | replaces version date:  |          |
| (w)   |         | drawing number: 5045.650-GA.C030A   |          |
| (x)   |         | replaces version date:  |          |
| (y)   |         | drawing number: 5045.650-GA.C030A   |          |
| (z)   |         | replaces version date:  |          |
| ind.  | changes | date  | na.      |