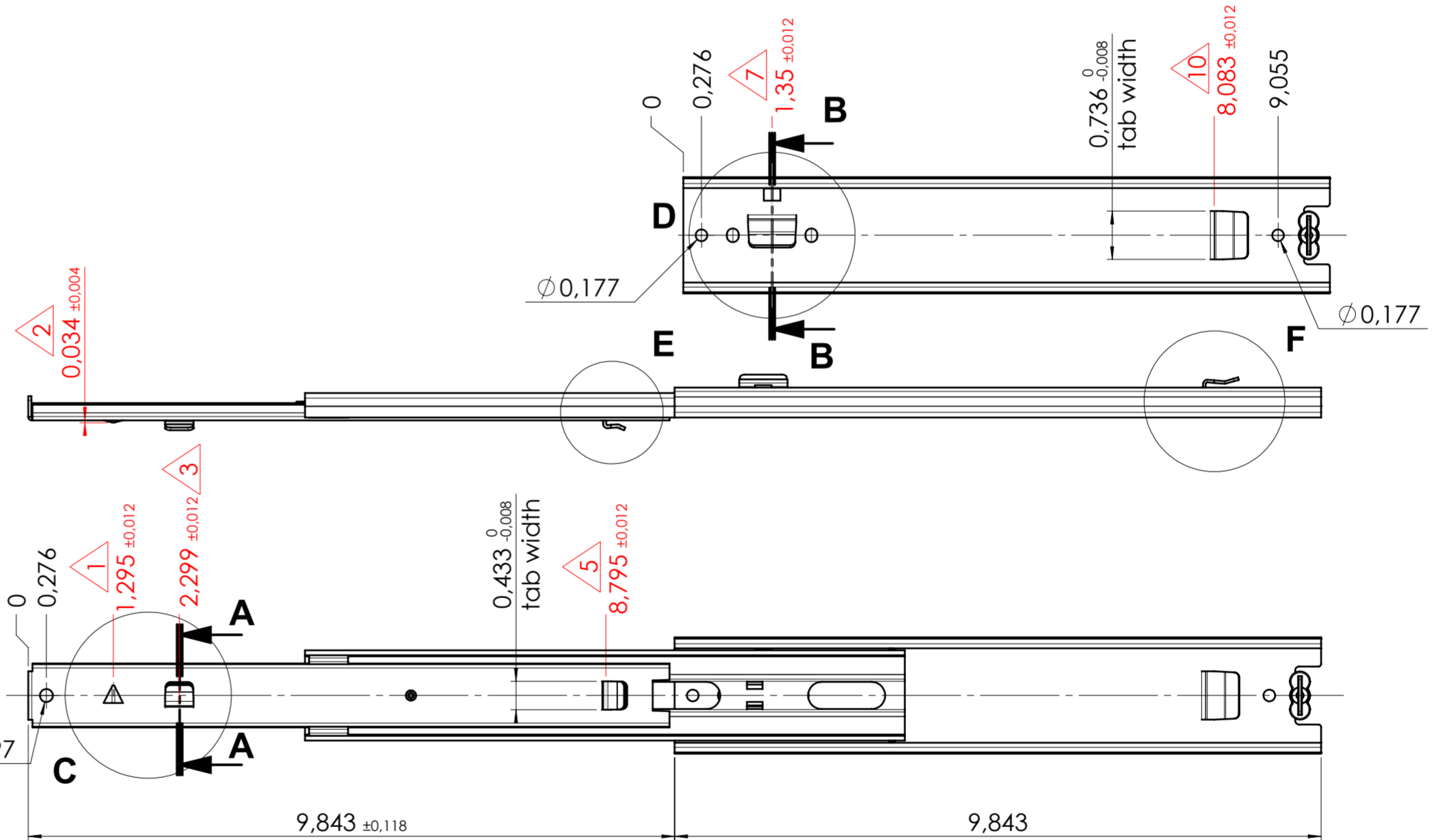
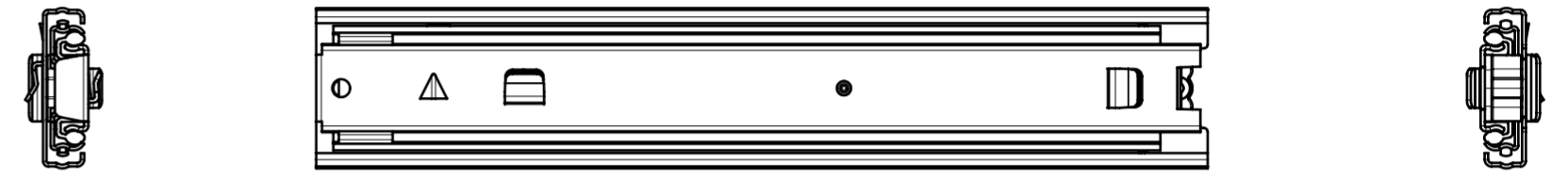
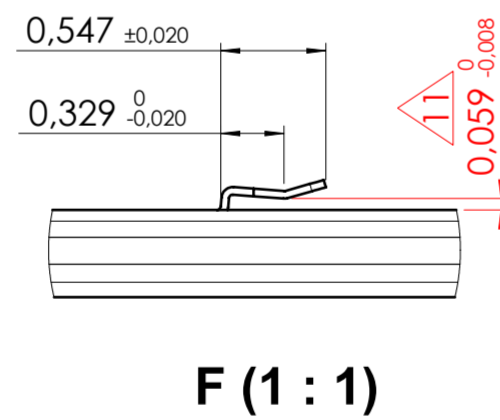
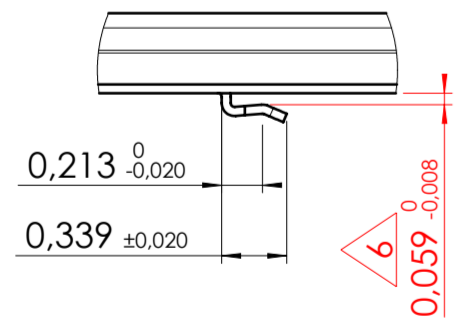


SCALE 1:1



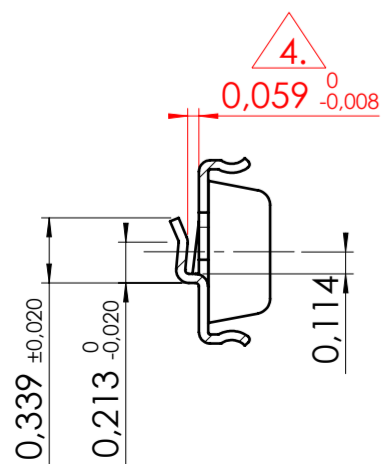
xx = check dimension, next free check number 12

E (1:1)

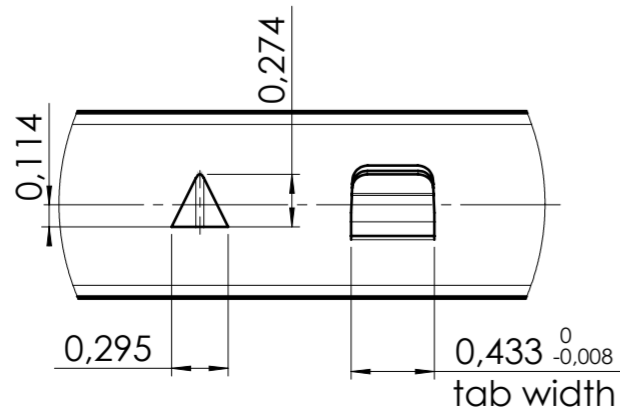


F (1:1)

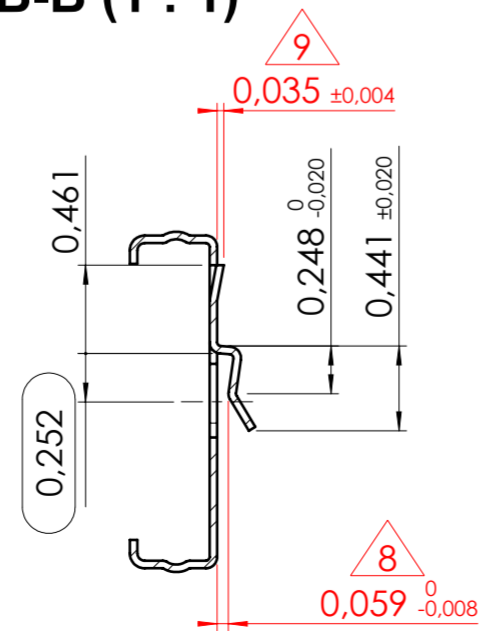
A-A (1:1)



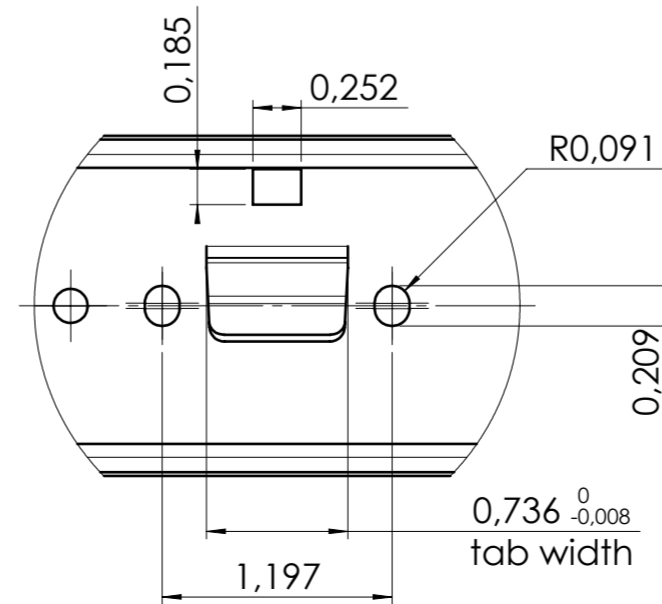
C (1:1)



B-B (1:1)



D (1:1)



general tolerances		DIN ISO 128-30	
stamping part according Fulterer W18-001	plastic part according DIN ISO 16742 TG4	missing dimensions see 3D = theor. intersection	
This drawing remains our property and may not be multiplied neither be disclosed to third parties (§§1,3 and 5 from the copyright Act (UrhG))			
covered according to DIN ISO 16016	scale: 1:2	surface:	material, semi finished parts: STEEL (technical requirements Fulterer)
	date 19-04-2021	name MW	description: SIDE MOUNT FULL EXTENSION SMT (1,5) DRAWER SLIDE WITH DRAWER DISCONNECT
	proven 00-00-0000	00	
Fulterer AG & Co KG A-6890 Lustenau / Austria		drawing number: 5045.250-GA.C101A	
Fulterer AG CH-9430 St. Margrethen		replaces version date:	
ind.	changes	date	na.