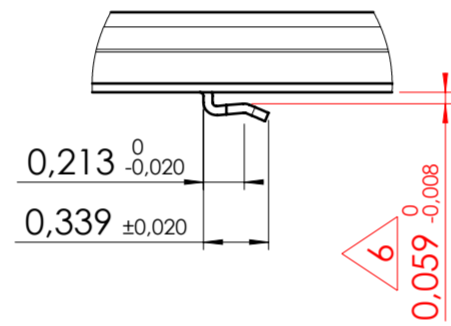
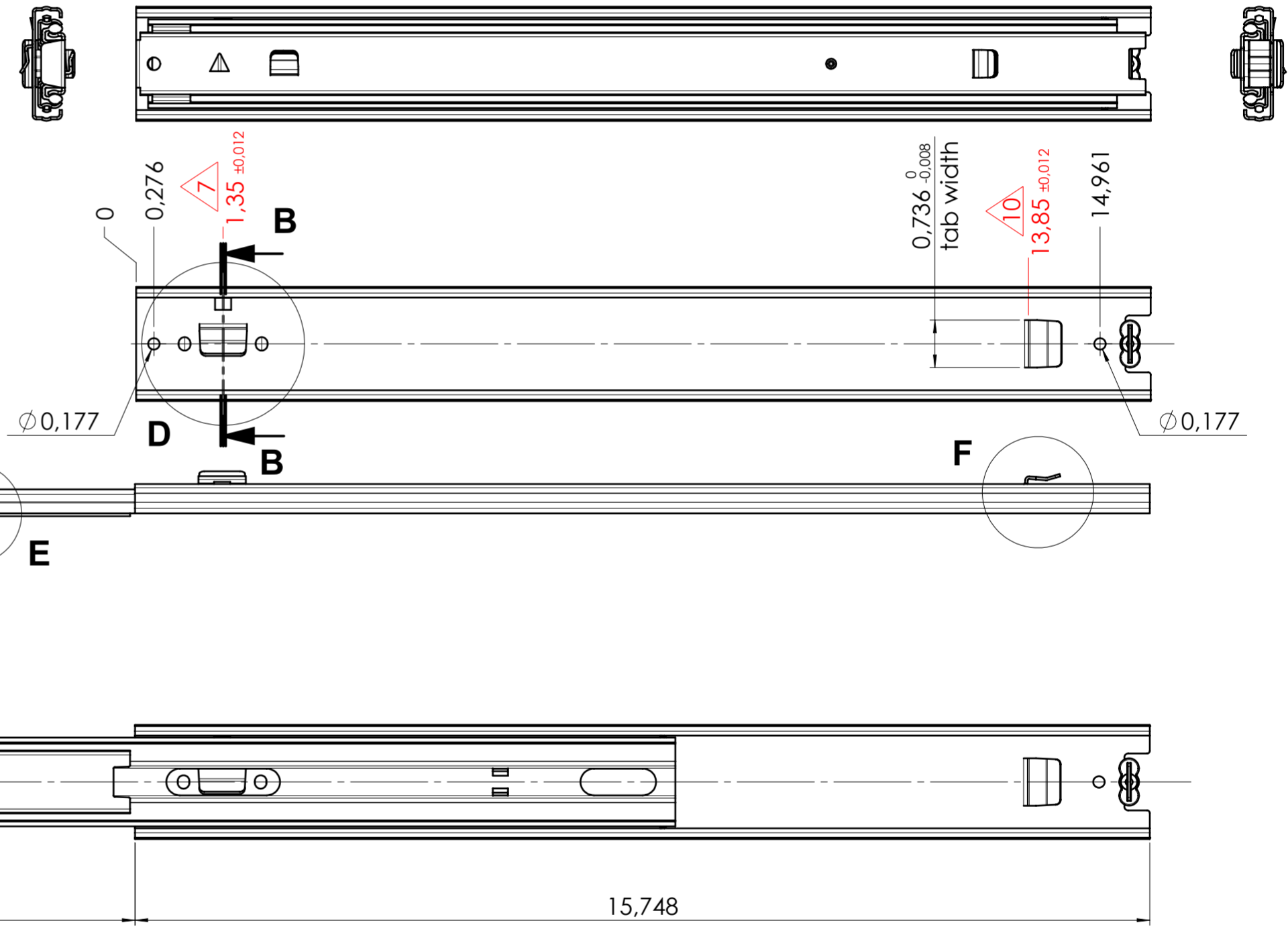
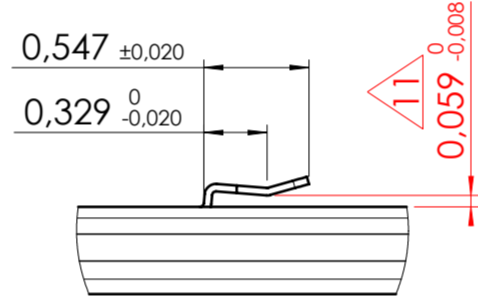


E (1 : 1)



F (1 : 1)



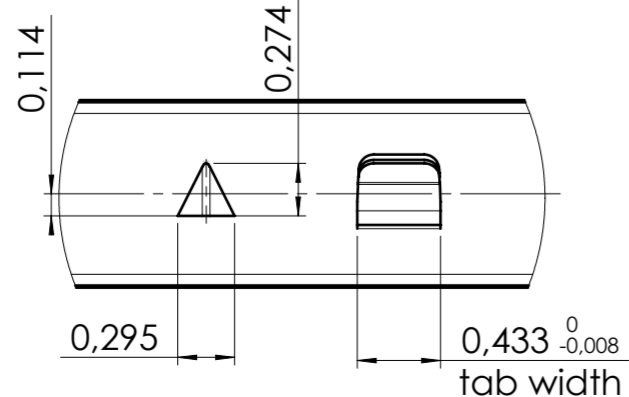
2

3

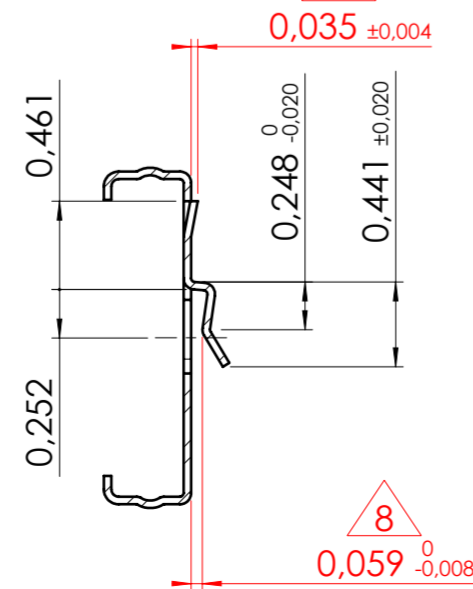
1

C

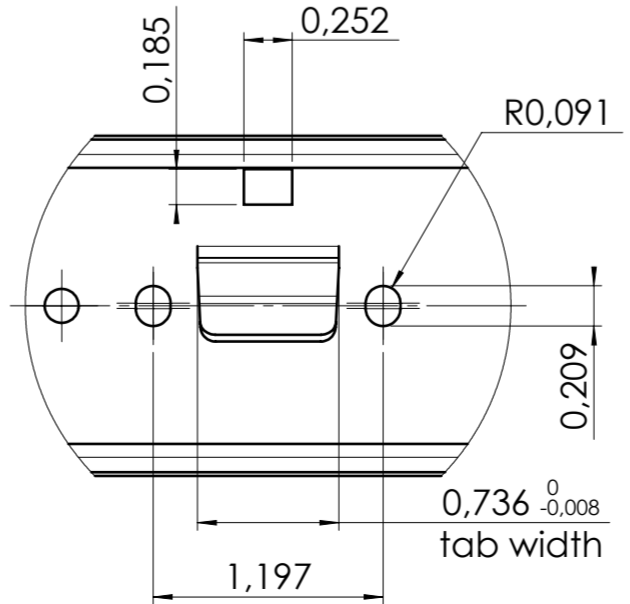
C (1 : 1)



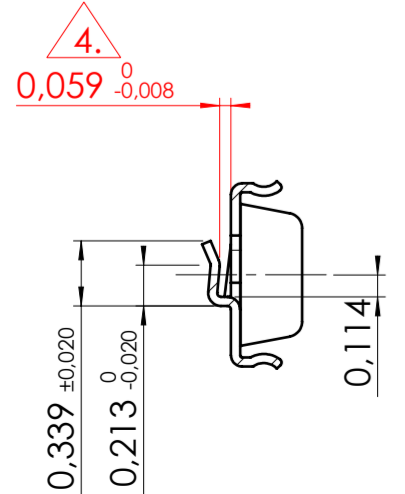
B-B (1 : 1)



D (1 : 1)



A-A (1 : 1)



xx = check dimension, next free check number 12

general tolerances		DIN ISO 128-30	
stamping part according Fulterer W18-001	plastic part according DIN ISO 16742 TG4	missing dimensions see 3D = theor. intersection	
This drawing remains our property and may not be multiplied neither be disclosed to third parties (§§1,3 and 5 from the copyright Act (UrhG)) covered according to DIN ISO 16016			
(k) (l) (m) (n) (o) (p) (q) (r) (s) (t) (u) (v) (w) (x) (y) (z)	scale:	1:2	surface:
	date	19-04-2021	name
	drawn	MW	proven
material, semi finished parts: STEEL (technical requirements Fulterer)		A2	
description: SIDE MOUNT FULL EXTENSION SMT (1,5) DRAWER SLIDE WITH DRAWER DISCONNECT		drawing number: 5045.400-GA.C101A	
drawing number: 5045.400-GA.C101A		replaces version date:	
ind.	changes	date	na.