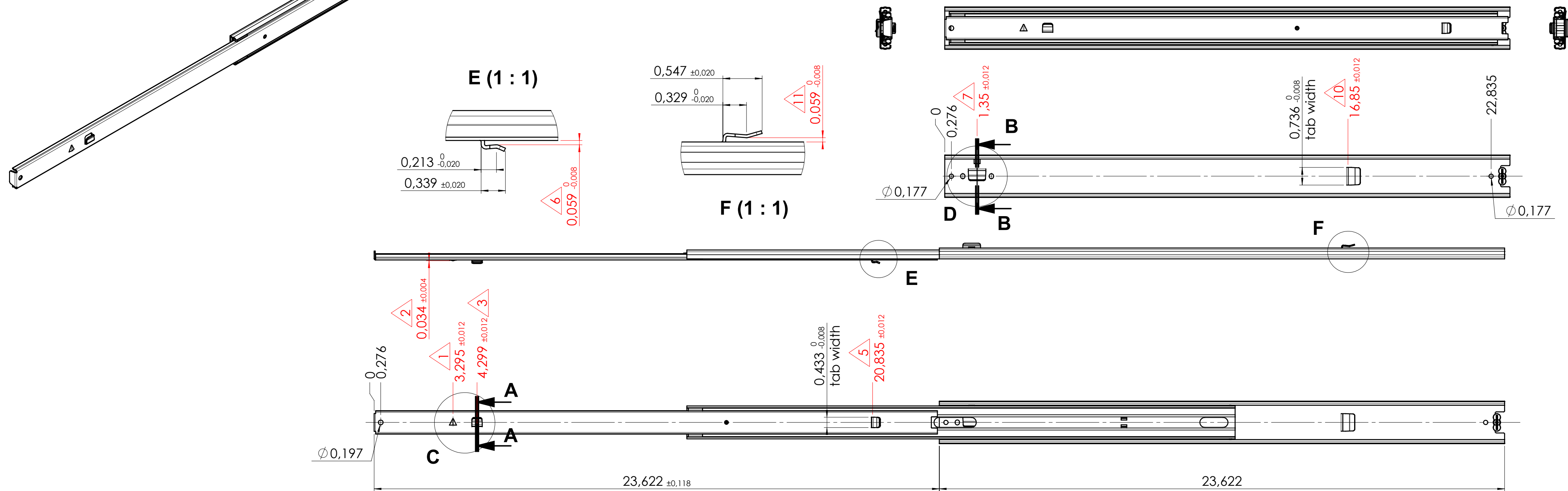


SCALE 1:1



E (1 : 1)

F (1 : 1)

B
D

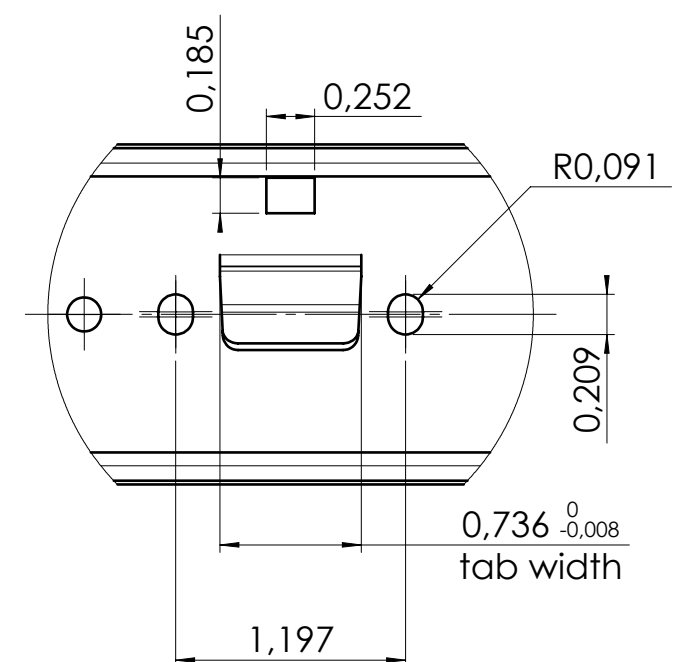
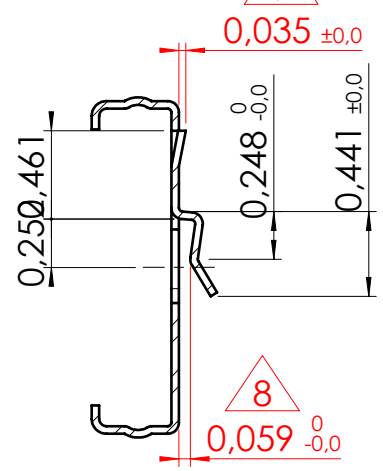
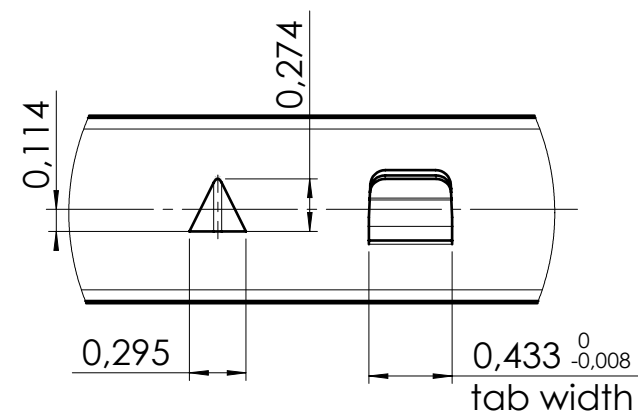
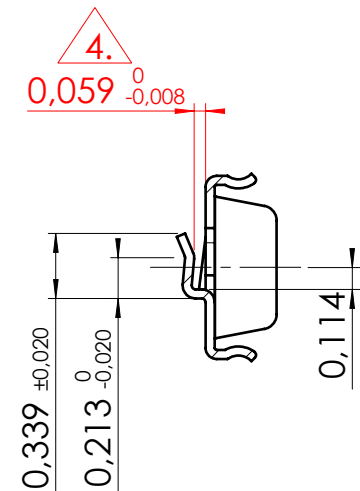
F

D (1 : 1)

A-A (1 : 1)

C (1 : 1)

B-B (1 : 1)



xx = check dimension, next free check number 12

general tolerances		DIN ISO 128-30	
stamping part according Fulterer W18-001	plastic part according DIN ISO 16742 TG4	missing dimensions see 3D = theor. intersection	
This drawing remains our property and may not be multiplied neither be disclosed to third parties (§§1,3 and 5 from the copyright Act (UrhG)) covered according to DIN ISO 16016			
(k) _____ (l) _____ (m) _____ (n) _____ (o) _____ (p) _____ (q) _____ (r) _____ (s) _____ (t) _____ (u) _____ (v) _____ (w) _____ (x) _____ (y) _____ (z) _____ (aa) _____ (ab) _____ (ac) _____ (ad) _____ (ae) _____ (af) _____ (ag) _____ (ah) _____ (ai) _____ (aj) _____ (ak) _____ (al) _____ (am) _____ (an) _____ (ao) _____ (ap) _____ (aq) _____ (ar) _____ (as) _____ (at) _____ (au) _____ (av) _____ (aw) _____ (ax) _____ (ay) _____ (az) _____ (ba) _____ (bb) _____ (bc) _____ (bd) _____ (be) _____ (bf) _____ (bg) _____ (bh) _____ (bi) _____ (bj) _____ (bk) _____ (bl) _____ (bm) _____ (bn) _____ (bo) _____ (bp) _____ (bq) _____ (br) _____ (bs) _____ (bt) _____ (bu) _____ (bv) _____ (bw) _____ (bx) _____ (by) _____ (bz) _____ (ca) _____ (cb) _____ (cc) _____ (cd) _____ (ce) _____ (cf) _____ (cg) _____ (ch) _____ (ci) _____ (cj) _____ (ck) _____ (cl) _____ (cm) _____ (cn) _____ (co) _____ (cp) _____ (cq) _____ (cr) _____ (cs) _____ (ct) _____ (cu) _____ (cv) _____ (cw) _____ (cx) _____ (cy) _____ (cz) _____ (da) _____ (db) _____ (dc) _____ (dd) _____ (de) _____ (df) _____ (dg) _____ (dh) _____ (di) _____ (dj) _____ (dk) _____ (dl) _____ (dm) _____ (dn) _____ (do) _____ (dp) _____ (dq) _____ (dr) _____ (ds) _____ (dt) _____ (du) _____ (dv) _____ (dw) _____ (dx) _____ (dy) _____ (dz) _____ (ea) _____ (eb) _____ (ec) _____ (ed) _____ (ee) _____ (ef) _____ (eg) _____ (eh) _____ (ei) _____ (ej) _____ (ek) _____ (el) _____ (em) _____ (en) _____ (eo) _____ (ep) _____ (eq) _____ (er) _____ (es) _____ (et) _____ (eu) _____ (ev) _____ (ew) _____ (ex) _____ (ey) _____ (ez) _____ (fa) _____ (fb) _____ (fc) _____ (fd) _____ (fe) _____ (ff) _____ (fg) _____ (fh) _____ (fi) _____ (fj) _____ (fk) _____ (fl) _____ (fm) _____ (fn) _____ (fo) _____ (fp) _____ (fq) _____ (fr) _____ (fs) _____ (ft) _____ (fu) _____ (fv) _____ (fw) _____ (fx) _____ (fy) _____ (fz) _____ (ga) _____ (gb) _____ (gc) _____ (gd) _____ (ge) _____ (gf) _____ (gg) _____ (gh) _____ (gi) _____ (gj) _____ (gk) _____ (gl) _____ (gm) _____ (gn) _____ (go) _____ (gp) _____ (gq) _____ (gr) _____ (gs) _____ (gt) _____ (gu) _____ (gv) _____ (gw) _____ (gx) _____ (gy) _____ (gz) _____ (ha) _____ (hb) _____ (hc) _____ (hd) _____ (he) _____ (hf) _____ (hg) _____ (hh) _____ (hi) _____ (hj) _____ (hk) _____ (hl) _____ (hm) _____ (hn) _____ (ho) _____ (hp) _____ (hq) _____ (hr) _____ (hs) _____ (ht) _____ (hu) _____ (hv) _____ (hw) _____ (hx) _____ (hy) _____ (hz) _____ (ia) _____ (ib) _____ (ic) _____ (id) _____ (ie) _____ (if) _____ (ig) _____ (ih) _____ (ii) _____ (ij) _____ (ik) _____ (il) _____ (im) _____ (in) _____ (io) _____ (ip) _____ (iq) _____ (ir) _____ (is) _____ (it) _____ (iu) _____ (iv) _____ (iw) _____ (ix) _____ (iy) _____ (iz) _____ (ja) _____ (jb) _____ (jc) _____ (jd) _____ (je) _____ (jf) _____ (jg) _____ (jh) _____ (ji) _____ (jj) _____ (jk) _____ (jl) _____ (jm) _____ (jn) _____ (jo) _____ (jp) _____ (jq) _____ (jr) _____ (js) _____ (jt) _____ (ju) _____ (jv) _____ (jw) _____ (jx) _____ (jy) _____ (jz) _____ (ka) _____ (kb) _____ (kc) _____ (kd) _____ (ke) _____ (kf) _____ (kg) _____ (kh) _____ (ki) _____ (kj) _____ (kk) _____ (kl) _____ (km) _____ (kn) _____ (ko) _____ (kp) _____ (kq) _____ (kr) _____ (ks) _____ (kt) _____ (ku) _____ (kv) _____ (kw) _____ (kx) _____ (ky) _____ (kz) _____ (la) _____ (lb) _____ (lc) _____ (ld) _____ (le) _____ (lf) _____ (lg) _____ (lh) _____ (li) _____ (lj) _____ (lk) _____ (ll) _____ (lm) _____ (ln) _____ (lo) _____ (lp) _____ (lq) _____ (lr) _____ (ls) _____ (lt) _____ (lu) _____ (lv) _____ (lw) _____ (lx) _____ (ly) _____ (lz) _____ (ma) _____ (mb) _____ (mc) _____ (md) _____ (me) _____ (mf) _____ (mg) _____ (mh) _____ (mi) _____ (mj) _____ (mk) _____ (ml) _____ (mm) _____ (mn) _____ (mo) _____ (mp) _____ (mq) _____ (mr) _____ (ms) _____ (mt) _____ (mu) _____ (mv) _____ (mw) _____ (mx) _____ (my) _____ (mz) _____ (na) _____ (nb) _____ (nc) _____ (nd) _____ (ne) _____ (nf) _____ (ng) _____ (nh) _____ (ni) _____ (nj) _____ (nk) _____ (nl) _____ (nm) _____ (nn) _____ (no) _____ (np) _____ (nq) _____ (nr) _____ (ns) _____ (nt) _____ (nu) _____ (nv) _____ (nw) _____ (nx) _____ (ny) _____ (nz) _____ (oa) _____ (ob) _____ (oc) _____ (od) _____ (oe) _____ (of) _____ (og) _____ (oh) _____ (oi) _____ (oj) _____ (ok) _____ (ol) _____ (om) _____ (on) _____ (oo) _____ (op) _____ (oq) _____ (or) _____ (os) _____ (ot) _____ (ou) _____ (ov) _____ (ow) _____ (ox) _____ (oy) _____ (oz) _____ (pa) _____ (pb) _____ (pc) _____ (pd) _____ (pe) _____ (pf) _____ (pg) _____ (ph) _____ (pi) _____ (pj) _____ (pk) _____ (pl) _____ (pm) _____ (pn) _____ (po) _____ (pp) _____ (pq) _____ (pr) _____ (ps) _____ (pt) _____ (pu) _____ (pv) _____ (pw) _____ (px) _____ (py) _____ (pz) _____ (qa) _____ (qb) _____ (qc) _____ (qd) _____ (qe) _____ (qf) _____ (qg) _____ (qh) _____ (qi) _____ (qj) _____ (qk) _____ (ql) _____ (qm) _____ (qn) _____ (qo) _____ (qp) _____ (qq) _____ (qr) _____ (qs) _____ (qt) _____ (qu) _____ (qv) _____ (qw) _____ (qx) _____ (qy) _____ (qz) _____ (ra) _____ (rb) _____ (rc) _____ (rd) _____ (re) _____ (rf) _____ (rg) _____ (rh) _____ (ri) _____ (rj) _____ (rk) _____ (rl) _____ (rm) _____ (rn) _____ (ro) _____ (rp) _____ (rq) _____ (rr) _____ (rs) _____ (rt) _____ (ru) _____ (rv) _____ (rw) _____ (rx) _____ (ry) _____ (rz) _____ (sa) _____ (sb) _____ (sc) _____ (sd) _____ (se) _____ (sf) _____ (sg) _____ (sh) _____ (si) _____ (sj) _____ (sk) _____ (sl) _____ (sm) _____ (sn) _____ (so) _____ (sp) _____ (sq) _____ (sr) _____ (ss) _____ (st) _____ (su) _____ (sv) _____ (sw) _____ (sx) _____ (sy) _____ (sz) _____ (ta) _____ (tb) _____ (tc) _____ (td) _____ (te) _____ (tf) _____ (tg) _____ (th) _____ (ti) _____ (tj) _____ (tk) _____ (tl) _____ (tm) _____ (tn) _____ (to) _____ (tp) _____ (tq) _____ (tr) _____ (ts) _____ (tt) _____ (tu) _____ (tv) _____ (tw) _____ (tx) _____ (ty) _____ (tz) _____ (ua) _____ (ub) _____ (uc) _____ (ud) _____ (ue) _____ (uf) _____ (ug) _____ (uh) _____ (ui) _____ (uj) _____ (uk) _____ (ul) _____ (um) _____ (un) _____ (uo) _____ (up) _____ (uq) _____ (ur) _____ (us) _____ (ut) _____ (uu) _____ (uv) _____ (uw) _____ (ux) _____ (uy) _____ (uz) _____ (va) _____ (vb) _____ (vc) _____ (vd) _____ (ve) _____ (vf) _____ (vg) _____ (vh) _____ (vi) _____ (vj) _____ (vk) _____ (vl) _____ (vm) _____ (vn) _____ (vo) _____ (vp) _____ (vq) _____ (vr) _____ (vs) _____ (vt) _____ (vu) _____ (vv) _____ (vw) _____ (vx) _____ (vy) _____ (vz) _____ (wa) _____ (wb) _____ (wc) _____ (wd) _____ (we) _____ (wf) _____ (wg) _____ (wh) _____ (wi) _____ (wj) _____ (wk) _____ (wl) _____ (wm) _____ (wn) _____ (wo) _____ (wp) _____ (wq) _____ (wr) _____ (ws) _____ (wt) _____ (wu) _____ (wv) _____ (ww) _____ (wx) _____ (wy) _____ (wz) _____ (xa) _____ (xb) _____ (xc) _____ (xd) _____ (xe) _____ (xf) _____ (xg) _____ (xh) _____ (xi) _____ (xj) _____ (xk) _____ (xl) _____ (xm) _____ (xn) _____ (xo) _____ (xp) _____ (xq) _____ (xr) _____ (xs) _____ (xt) _____ (xu) _____ (xv) _____ (xw) _____ (xx) _____ (xy) _____ (xz) _____ (ya) _____ (yb) _____ (yc) _____ (yd) _____ (ye) _____ (yf) _____ (yg) _____ (yh) _____ (yi) _____ (yj) _____ (yk) _____ (yl) _____ (ym) _____ (yn) _____ (yo) _____ (yp) _____ (yq) _____ (yr) _____ (ys) _____ (yt) _____ (yu) _____ (yv) _____ (yw) _____ (yx) _____ (yy) _____ (yz) _____ (za) _____ (zb) _____ (zc) _____ (zd) _____ (ze) _____ (zf) _____ (zg) _____ (zh) _____ (zi) _____ (zj) _____ (zk) _____ (zl) _____ (zm) _____ (zn) _____ (zo) _____ (zp) _____ (zq) _____ (zr) _____ (zs) _____ (zt) _____ (zu) _____ (zv) _____ (zw) _____ (zx) _____ (zy) _____ (zz) _____	scale: 1:3 surface: date 19-04-2021 name MW drawn proven 00-00-0000 00 Fulterer Fulterer AG & Co KG A-6890 Lustenau / Austria Fulterer AG CH-9430 St. Margrethen	material, semi finished parts: STEEL (technical requirements Fulterer) description: SIDE MOUNT FULL EXTENSION SMT (1,5) DRAWER SLIDE WITH DRAWER DISCONNECT drawing number: 5045.600-GA.C101A replaces version date:	