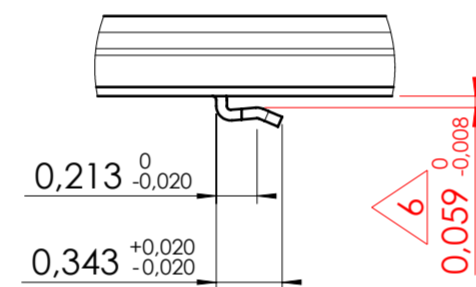
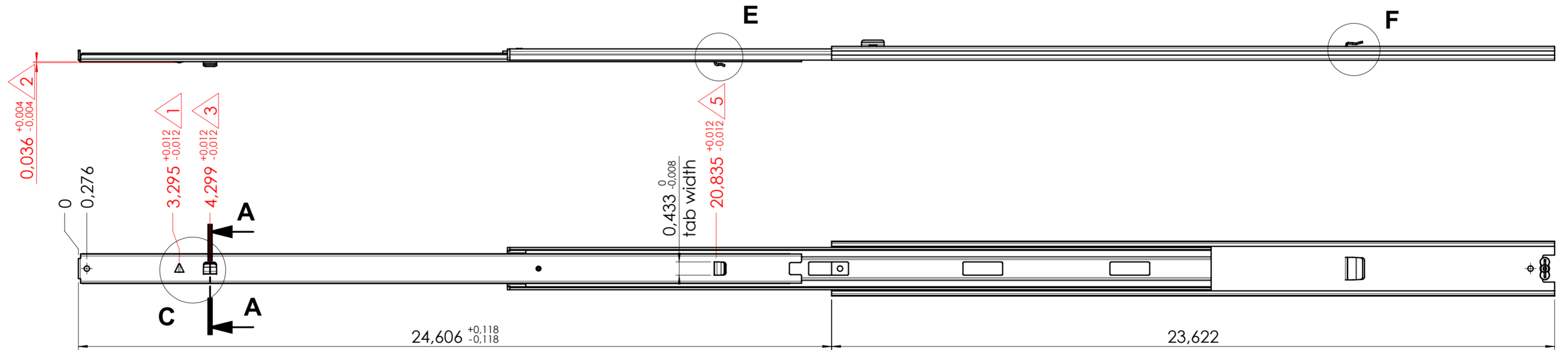
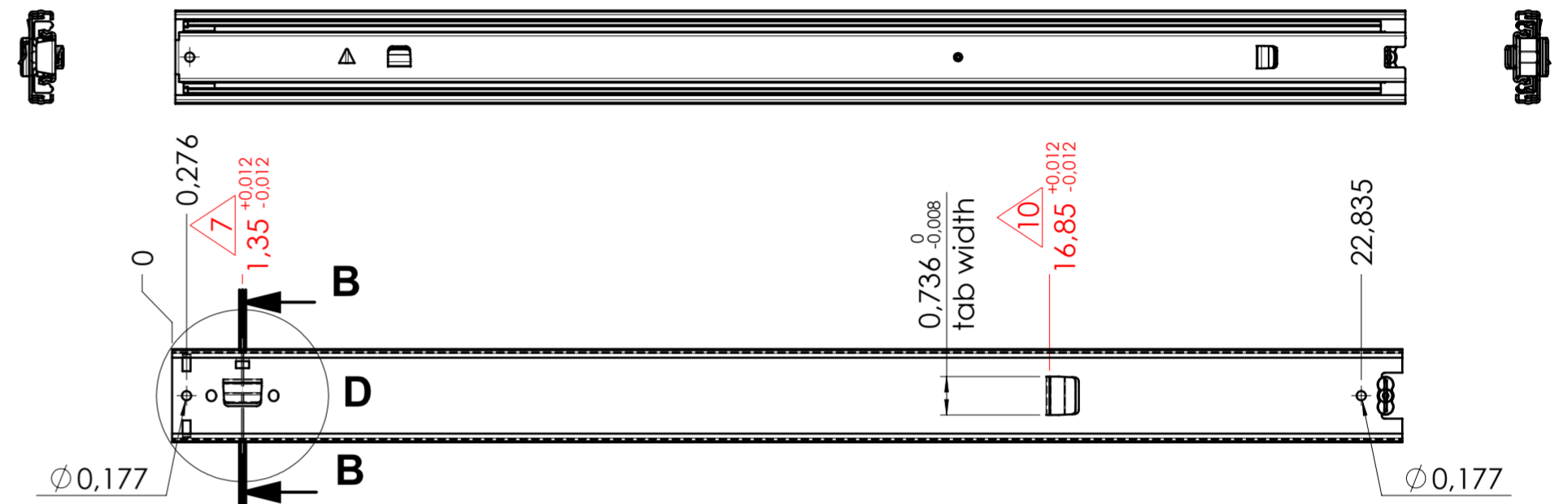
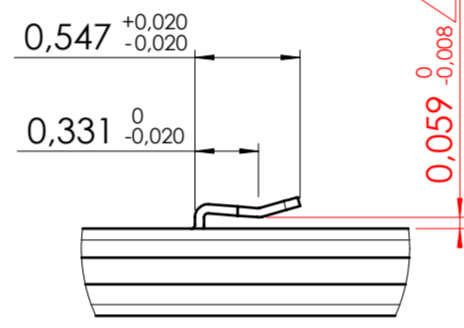


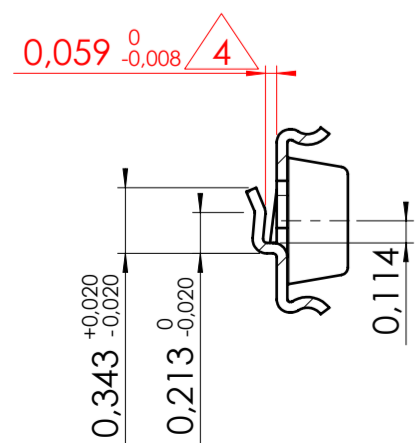
E (1 : 1)



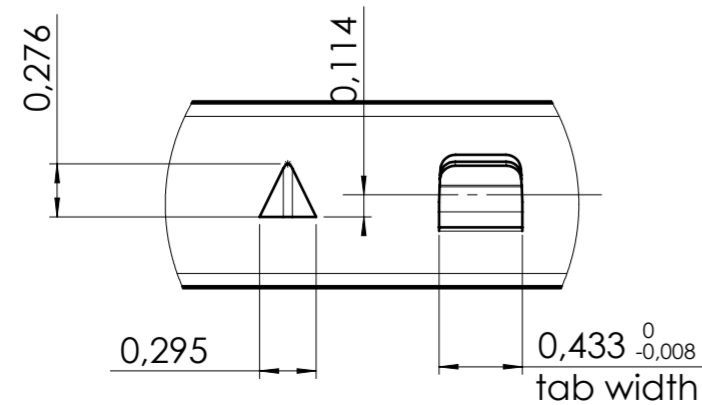
F (1 : 1)



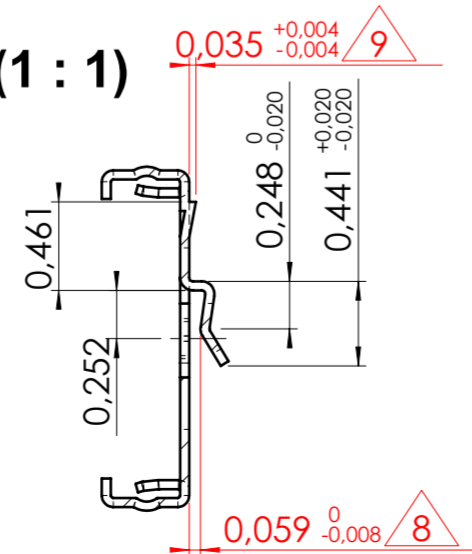
A-A (1 : 1)



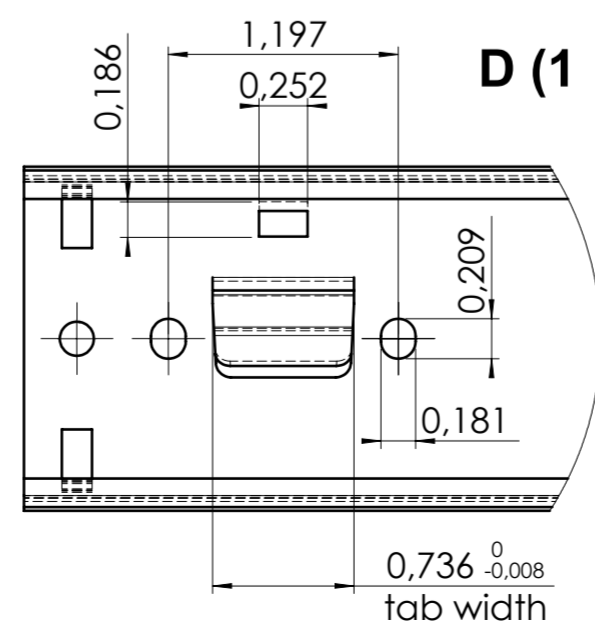
C (1 : 1)



B-B (1 : 1)



D (1 : 1)



xx = check dimension, next free check number 12

general tolerances		DIN ISO 128-30	
stamping part according Fulterer W18-001	plastic part according DIN ISO 16742 TG4	missing dimensions see 3D = theor. intersection	
This drawing remains our property and may not be multiplied neither be disclosed to third parties (§§1,3 and 5 from the copyright Act (UrhG)) covered according to DIN ISO 16016			
(k) (l) (m) (n) (o) (p) (q) (r) (s) (t) (u) (v) (w) (x) (y) (z)	scale:	1:3	surface:
	date	22-04-2022	name
	proven	00-00-0000	00
Fulterer Fulterer AG & Co KG A-6890 Lustenau / Austria Fulterer AG CH-9430 St. Margrethen		material, semi finished parts: STEEL (technical requirements Fulterer) description: SIDE MOUNT OVER EXTENSION SMT (1,5) DRAWER SLIDE WITH DRAWER DISCONNECT	
drawing number:		5046.600-GA.C103A	
changes		replaces version date:	