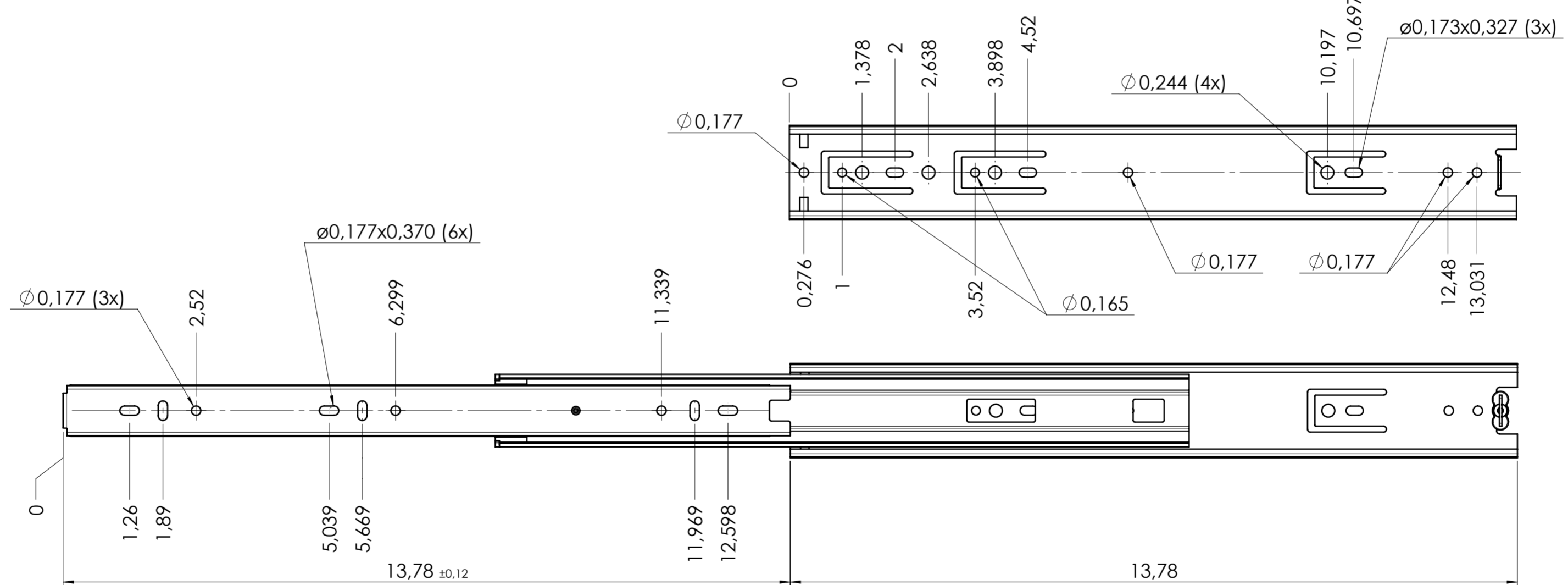


CABINET MOUNTING HOLES



RECOMMENDED HARDWARE:

CABINET- 3.5mm SPAX M4 BUTTON HEAD OR #8 TRUSS HEAD SCREW

DRAWER- 3.5mm SPAX M4 BUTTON HEAD OR #8 TRUSS HEAD SCREW

general tolerances		stamping part according Fulterer W18-001		plastic part according DIN ISO 16742 TG4		DIN ISO 128-30 missing dimensions see 3D = theor. intersection	
This drawing remains our property and may not be multiplied neither be disclosed to third parties (§§1,3 and 5 from the copyright Act (UrhG))							
covered according to DIN ISO 16016				scale: 1:2		surface: A2	
(k)				date	name	material, semi finished parts: Steel (technical requirements Fulterer)	
(l)				drawn 17-06-2020	MW	description: SIDE MOUNT FULL EXTENSION DRAWER SLIDE WITH DRAWER DISCONNECT	
(m)				proven 00-00-0000	00	drawing number: 5046.350-GA.C000A	
(n)				Fulterer		replaces version date:	
(o)				Fulterer AG & Co KG A-6890 Lustenau / Austria			
(p)				Fulterer AG CH-9430 St. Margrethen			
(q)				00-00-0000	0		
(r)				changes	date	na.	