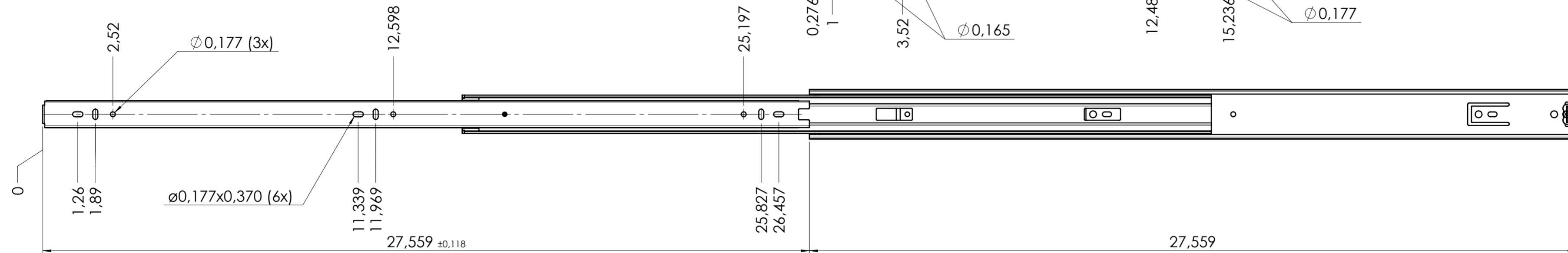
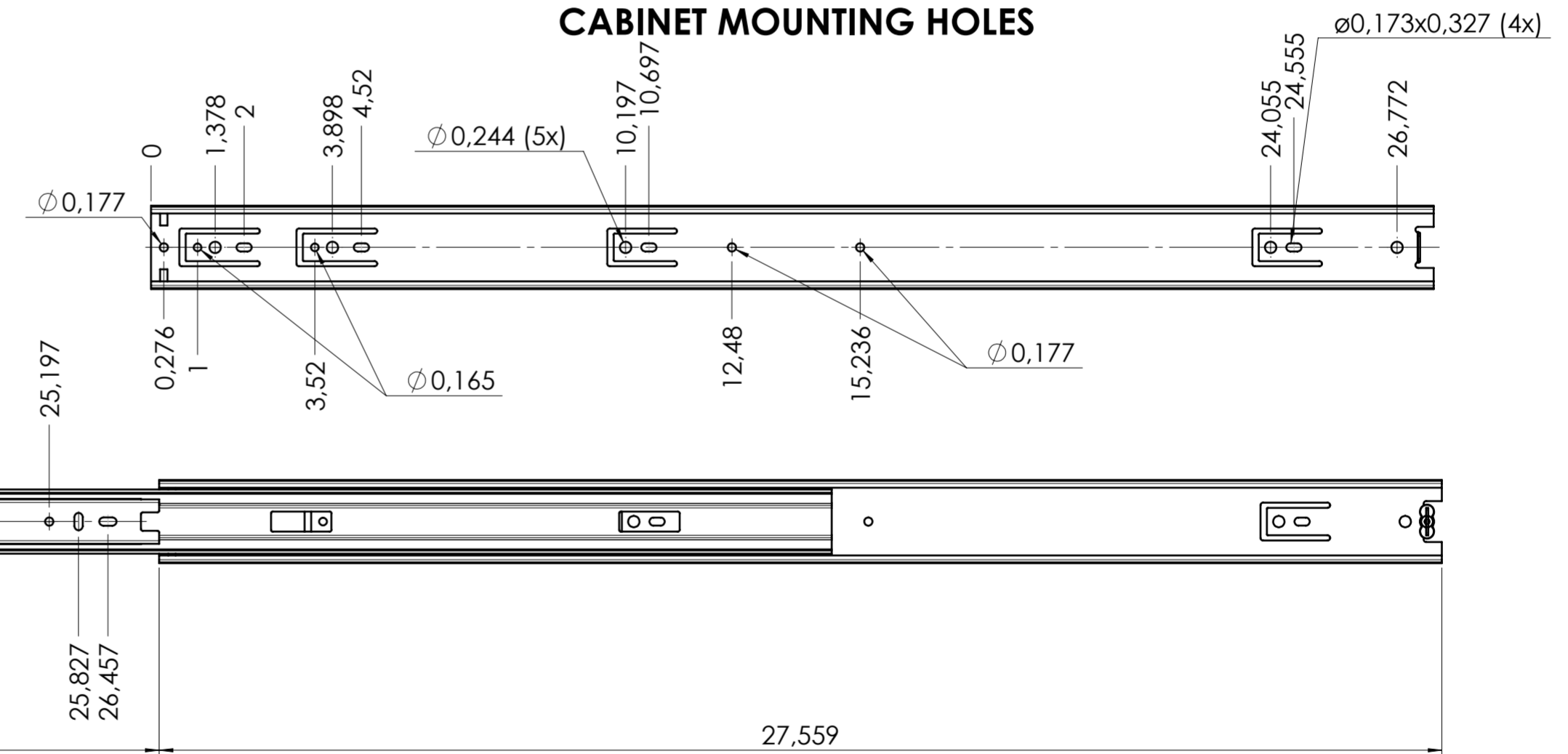


CABINET MOUNTING HOLES



RECOMMENDED HARDWARE:
 CABINET- 3.5mm SPAX M4 BUTTON HEAD OR #8 TRUSS HEAD SCREW
 DRAWER- 3.5mm SPAX M4 BUTTON HEAD OR #8 TRUSS HEAD SCREW

general tolerances		DIN ISO 128-30	
stamping part according Fulterer W18-001	plastic part according DIN ISO 16742 TG4	missing dimensions see 3D = theor. intersection	
This drawing remains our property and may not be multiplied neither be disclosed to third parties (§§1,3 and 5 from the copyright Act (UrhG)) covered according to DIN ISO 16016			
(k)	scale:	1:3	surface:
(l)	date	17-06-2020	name
(m)	drawn	MW	
(n)	proven	00-00-0000	00
(o)	Fulterer		material, semi finished parts:
(p)			Steel
(q)	Fulterer AG & Co KG		(technical requirements Fulterer)
(r)	A-6890 Lustenau / Austria		description:
(s)	Fulterer AG		SIDE MOUNT FULL EXTENSION
(t)	CH-9430 St. Margrethen		DRAWER SLIDE WITH DRAWER
(u)	drawing number:		DISCONNECT
(v)	00-00-0000		5046.700-GA.C000A
(w)	0		replaces version date:
(x)	changes	date	na.