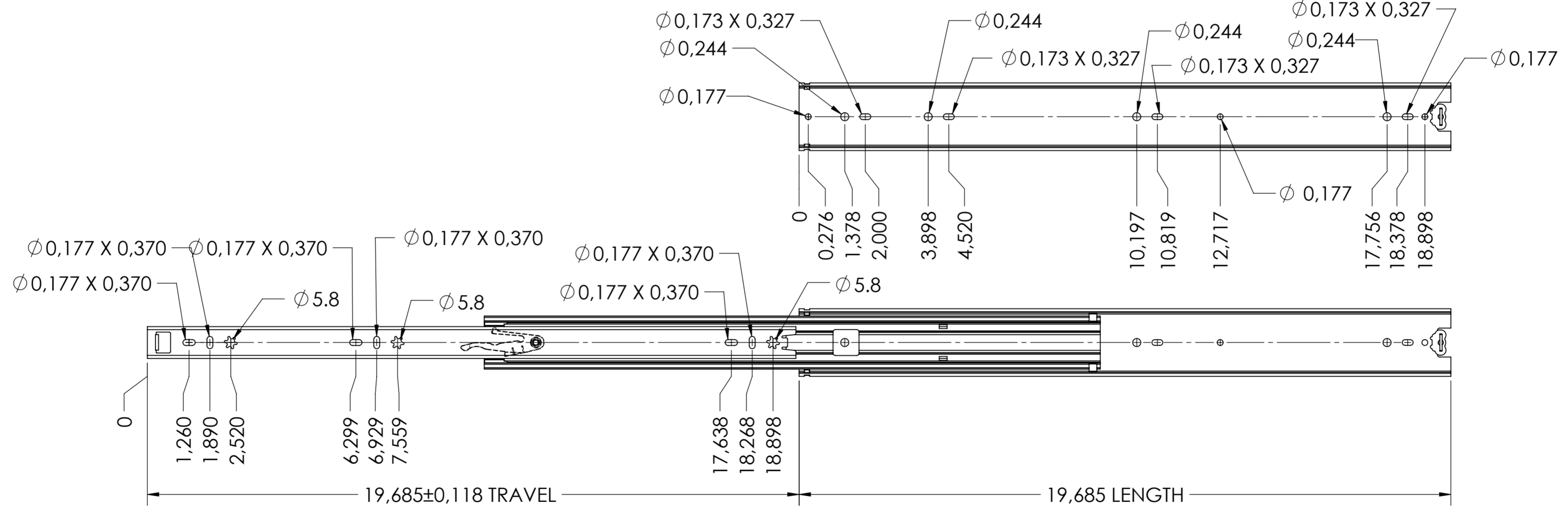


CABINET MOUNTING HOLES



RECOMMENDED HARDWARE:

CABINET- M4 BUTTON HEAD OR #8 TRUSS HEAD SCREW

DRAWER- M4 BUTTON HEAD OR #8 TRUSS HEAD SCREW

general tolerances		missing dimensions see 3D = theor. intersection	
ISO 2768-m			
This drawing remains our property and may not be multiplied neither be disclosed to third parties (§§1,3 and 5 from the copyright Act (UrhG)) covered according to DIN ISO 16016			
scale: 3:83:8		surface: A2	
(k)		date	name
(l)		drawn 05-10-2018	HB
(m)		proven 00-00-0000	00
(n)		Fulterer	
(o)			
(p)		Fulterer AG & Co KG A-6890 Lustenau / Austria Fulterer AG CH-9430 St. Margrethen	
(q)		drawing number: 5052.500-GA.T005 replaces version date:	
(r)	0	00-00-0000	0
ind.	changes	date	na.