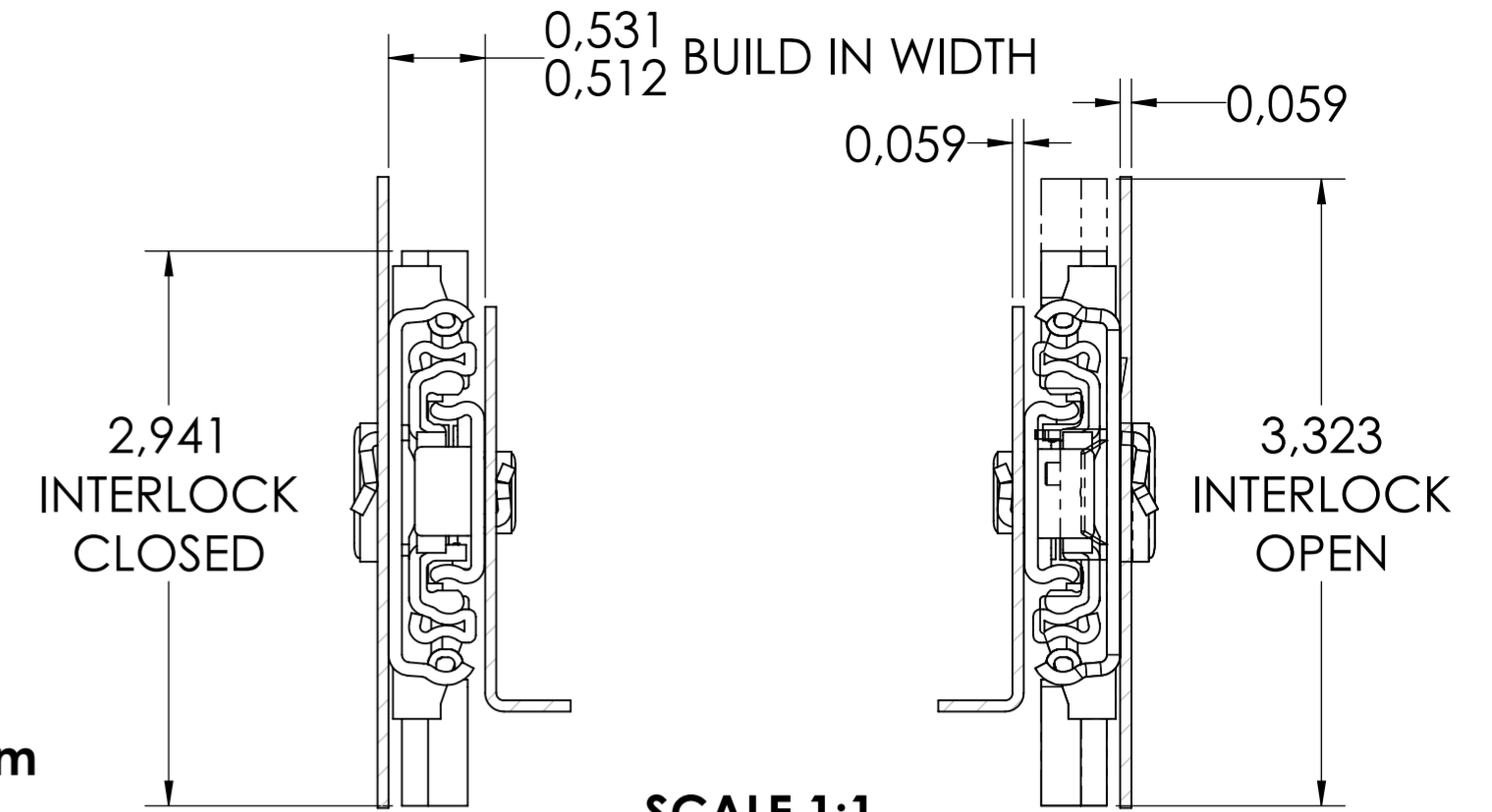


SCALE 1:4
NOTE: 400MM LENGTH SHOWN

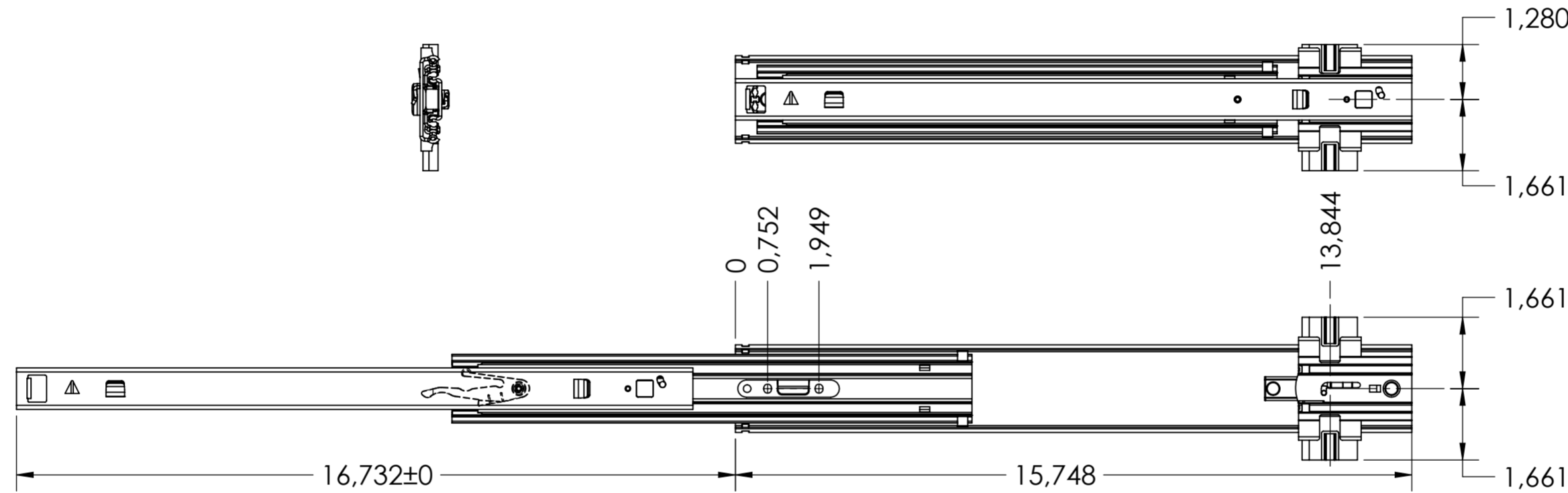
ROD LENGTH $L^{+0.5} = A-44$

ϕ 5mm ROD
FULTERER PART NUMBER 400246

RECOMMENDED MIN. DISTANCE "A" = 90mm

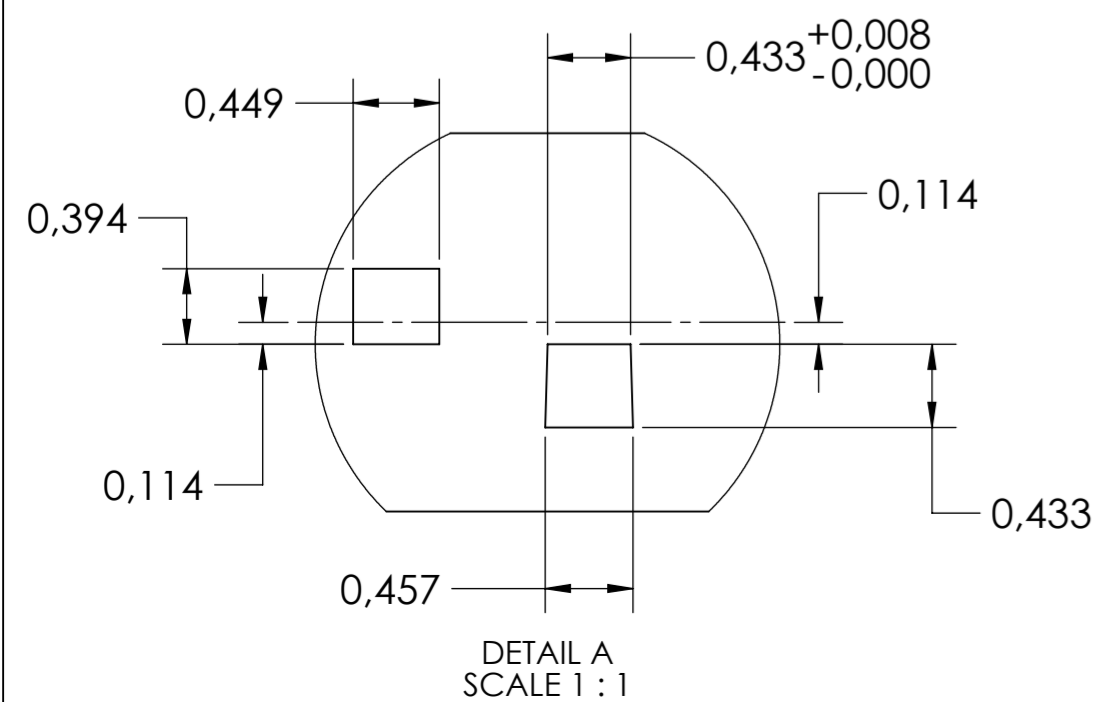
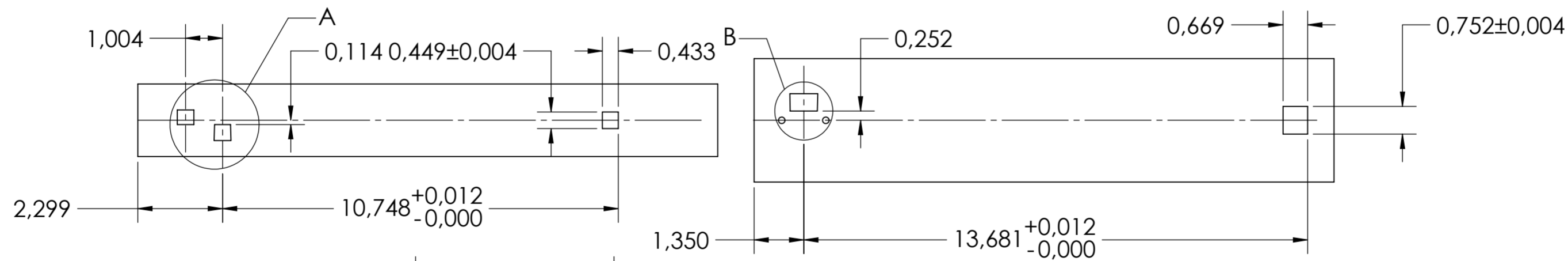


SCALE 1:1

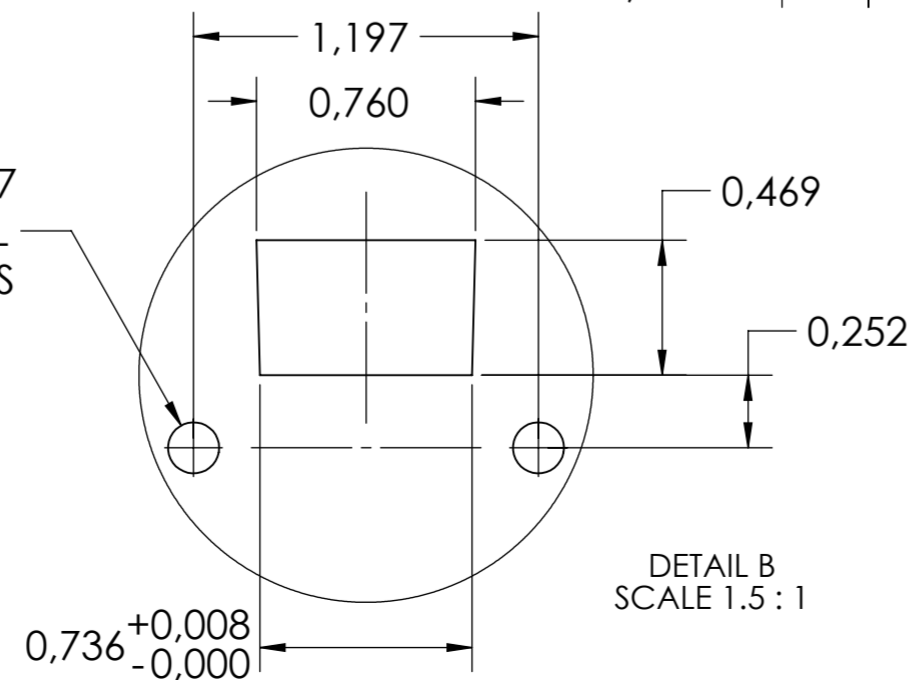


DRAWER MOUNTING CUTOUTS

CABINET MOUNTING CUTOUTS



2X ϕ 0,177
OPTIONAL
FOR RIVETS



general tolerances				DIN ISO 128-30 missing dimensions see 3D = theor. intersection	
ISO 2768-m					
This drawing remains our property and may not be multiplied neither be disclosed to third parties (§§1,3 and 5 from the copyright Act (UrhG)) covered according to DIN ISO 16016					
scale: 1:3		surface:		material, semi finished parts: STEEL (technical requirements Fulterer)	
drawn 11-06-2019		date 11-06-2019		name HB	
proven 00-00-0000		date 00-00-0000		name 00	
Fulterer				description: SIDE MOUNT OVER EXTENSION SMT (1.5) INTERLOCKING SLIDE WITH DRAWER DISCONNECT	
Fulterer AG & Co KG A-6890 Lustenau / Austria				drawing number: 5219.400-GA.T120	
Fulterer AG CH-9430 St. Margrethen				replaces version date:	
ind.	changes	date	na.		