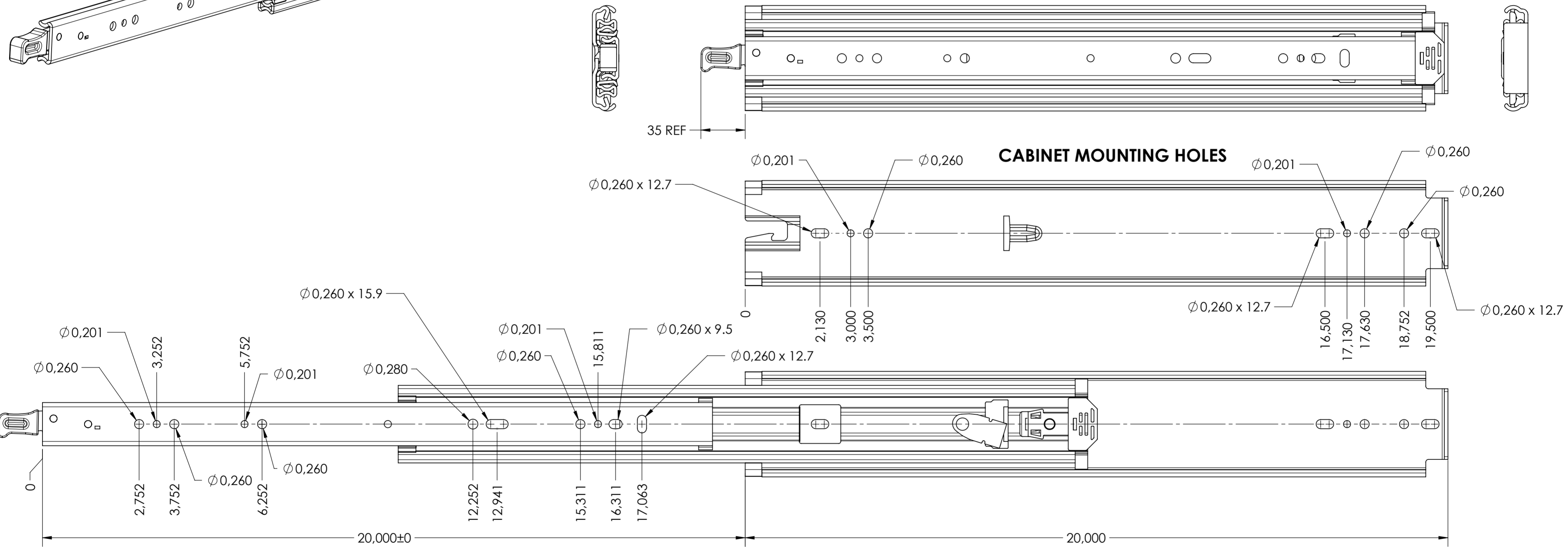
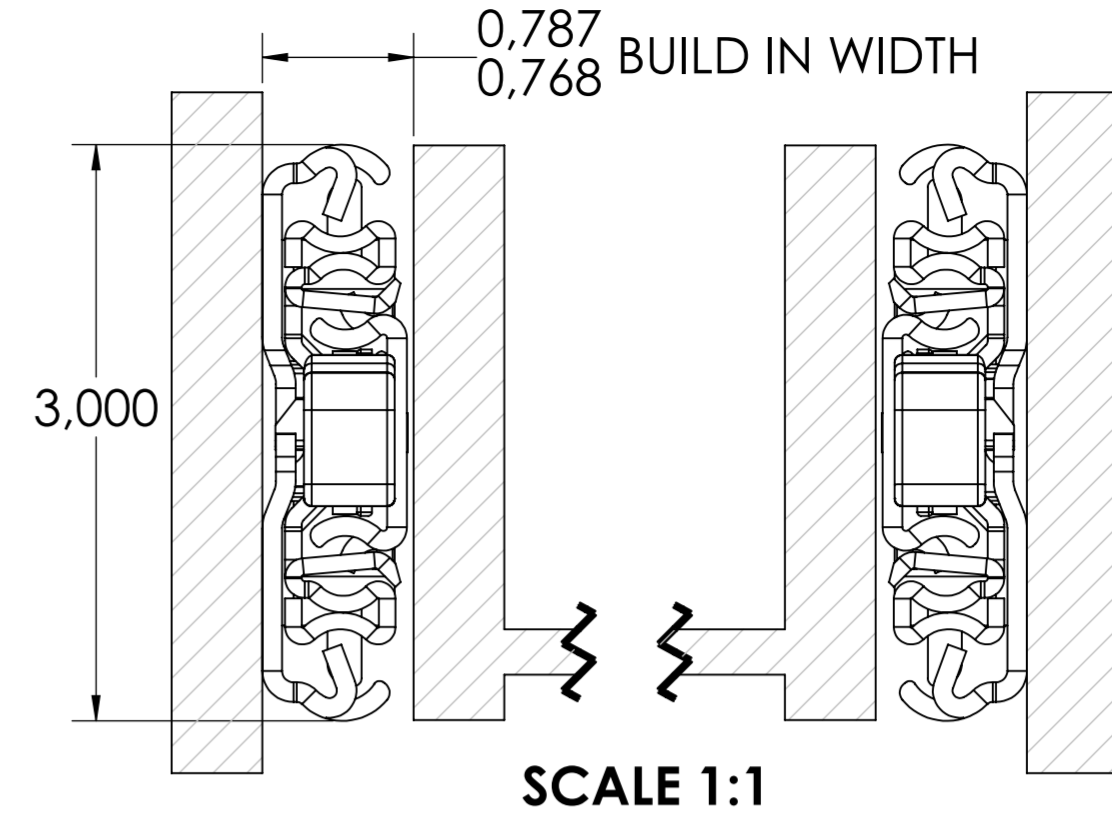
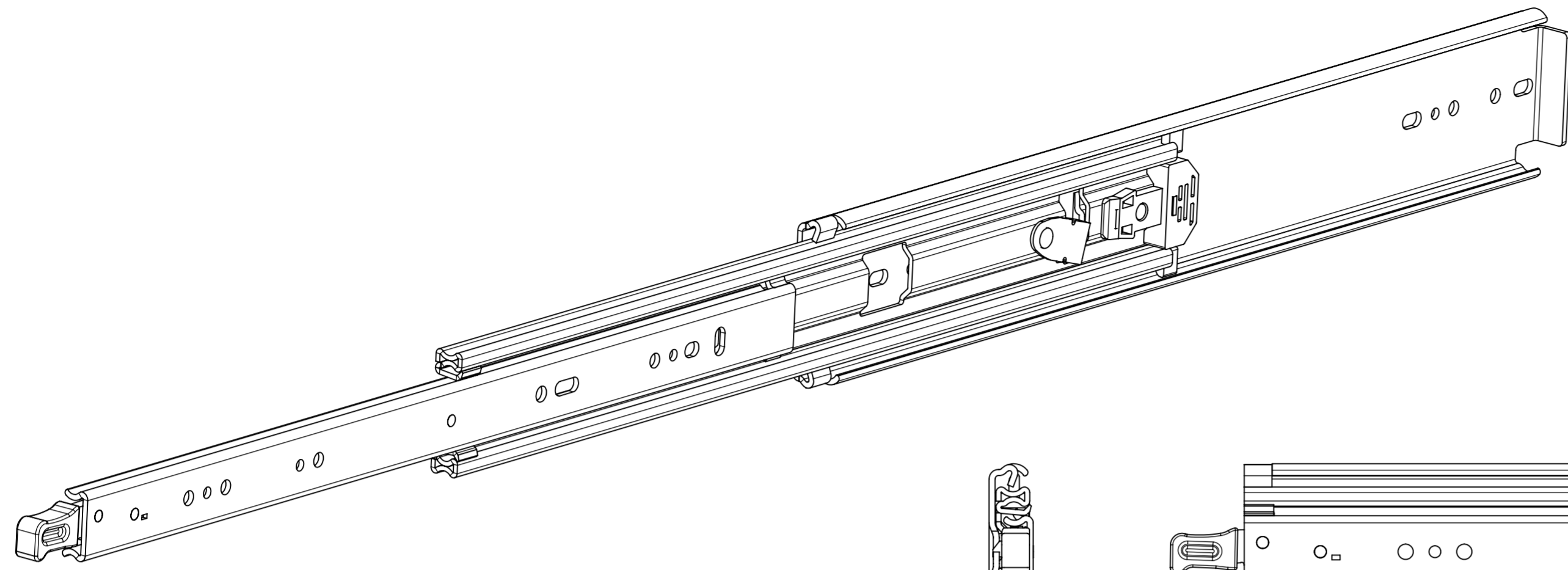


5400.20-GA.T009

X



RECOMMENDED HARDWARE:
 CABINET- M6 OR 1/4 BUTTON HEAD SCREWS
 DRAWER- M6 OR 1/4 BUTTON HEAD SCREWS

general tolerances			DIN ISO 128-30 missing dimensions see 3D = theor. intersection		
ISO 2768-m					
This drawing remains our property and may not be multiplied neither be disclosed to third parties (§§1,3 and 5 from the copyright Act (UrhG)) covered according to DIN ISO 16016					
(k)			scale:	surface:	material, semi finished parts:
(l)			1:2		STEEL
(i)			date	name	(technical requirements Fulterer)
(h)			drawn 15-08-2018	HB	description: FULL EXTENSION SIDE MOUNT HEAVY DUTY LOCK-IN/LOCK OUT NON-DISCONNECT SLIDE
(g)			proven 00-00-0000	00	
(f)			Fulterer		drawing number: 5400.20-GA.T009
(e)					
(d)			Fulterer AG & Co KG A-6890 Lustenau / Austria		replaces version date:
(c)			Fulterer AG CH-9430 St. Margrethen		
(b)					
(a)	UPDATE TITLE BLOCK	19-03-2019	HB		
ind.	changes	date	na.		