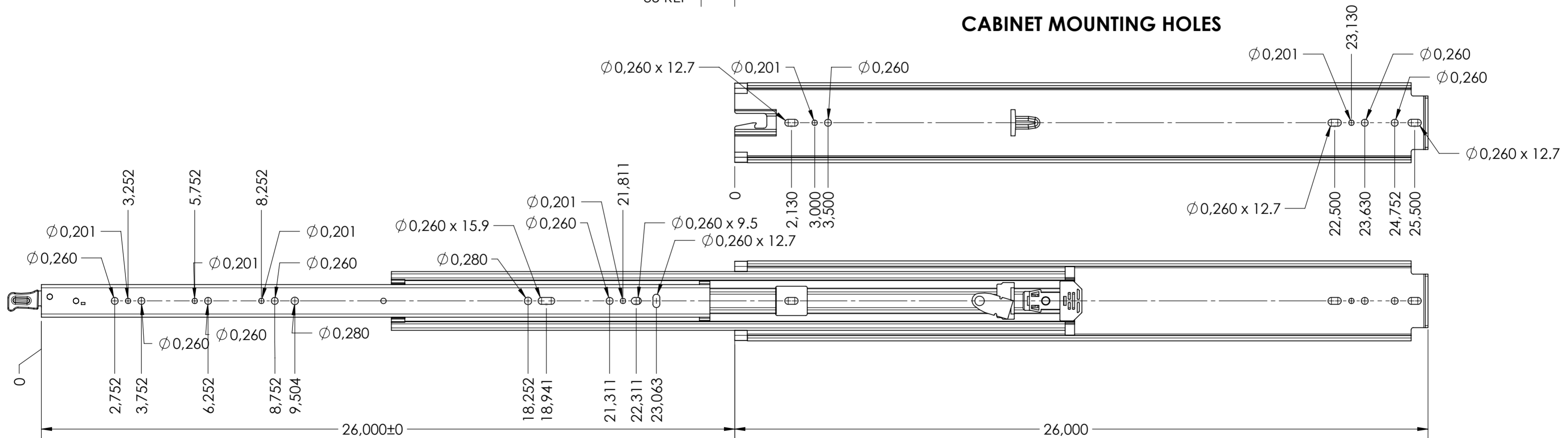


### CABINET MOUNTING HOLES



RECOMMENDED HARDWARE:  
 CABINET- M6 OR 1/4 BUTTON HEAD SCREWS  
 DRAWER- M6 OR 1/4 BUTTON HEAD SCREWS

general tolerances		DIN ISO 128-30 missing dimensions see 3D = theor. intersection	
ISO 2768-m			
This drawing remains our property and may not be multiplied neither be disclosed to third parties (§§1,3 and 5 from the copyright Act (UrhG)) covered according to DIN ISO 16016			
(k)	scale:	1:3	surface:
(l)	date:	15-08-2019	name:
(m)	drawn:	HB	description:
(n)	proven:	00-00-0000	00
(o)	<b>Fulterer</b>		FULL EXTENSION SIDE MOUNT HEAVY DUTY LOCK-IN/LOCK OUT NON-DISCONNECT SLIDE
(p)			
(q)	Fulterer AG & Co KG A-6890 Lustenau / Austria		drawing number:
(r)	Fulterer AG CH-9430 St. Margrethen		<b>5400.26-GA.T009</b>
(s)	UPDATE TITLE BLOCK	19-03-2019	HB
(t)	changes	date	na.
(u)	replaces version date:		