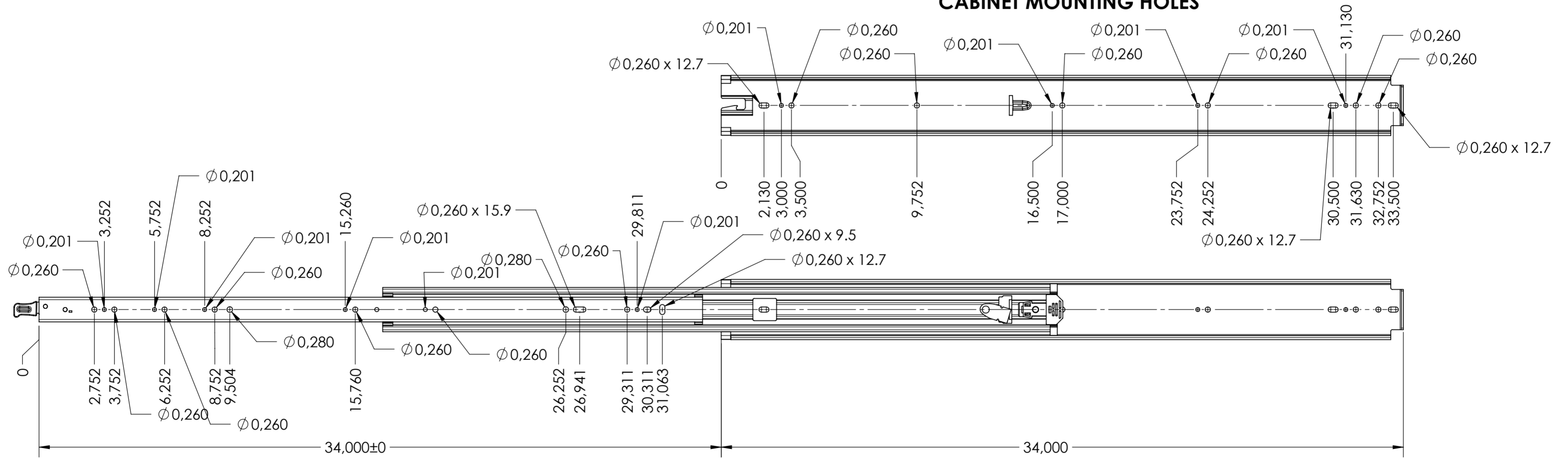


CABINET MOUNTING HOLES



RECOMMENDED HARDWARE:
 CABINET- M6 OR 1/4 BUTTON HEAD SCREWS
 DRAWER- M6 OR 1/4 BUTTON HEAD SCREWS

general tolerances		DIN ISO 128-30 missing dimensions see 3D = theor. intersection	
ISO 2768-m			
This drawing remains our property and may not be multiplied neither be disclosed to third parties (§§1,3 and 5 from the copyright Act (UrhG)) covered according to DIN ISO 16016			
(k)		scale:	material, semi finished parts: STEEL
(l)		1:4	(technical requirements Fulterer)
(m)		surface:	
(n)		date	name
(o)		drawn 15-08-2018	HB
(p)		proven 00-00-0000	00
(q)		Fulterer	
(r)			
(s)		description: FULL EXTENSION SIDE MOUNT HEAVY DUTY LOCK-IN/LOCK OUT NON-DISCONNECT SLIDE	
(t)		drawing number: 5400.34-GA.T009	
(u)		replaces version date:	
(v)		Fulterer AG & Co KG A-6890 Lustenau / Austria	
(w)		Fulterer AG CH-9430 St. Margrethen	
(x)			
(y)			
(z)			
(aa)	UPDATE TITLE BLOCK	19-03-2019	HB
(ab)	changes	date	na.