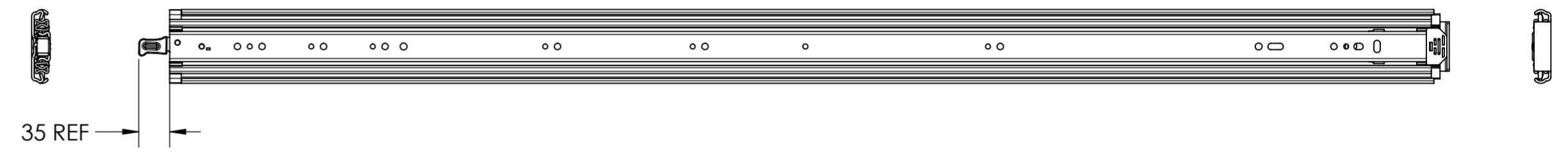
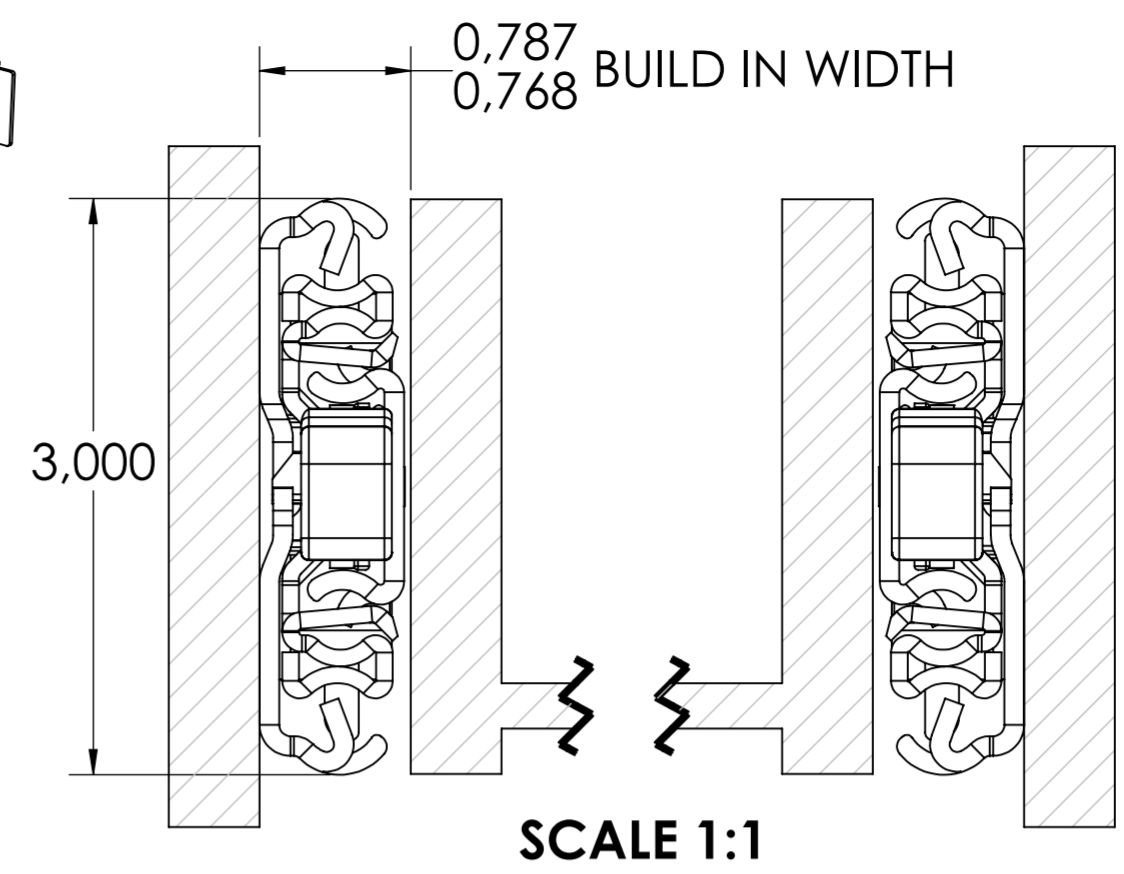
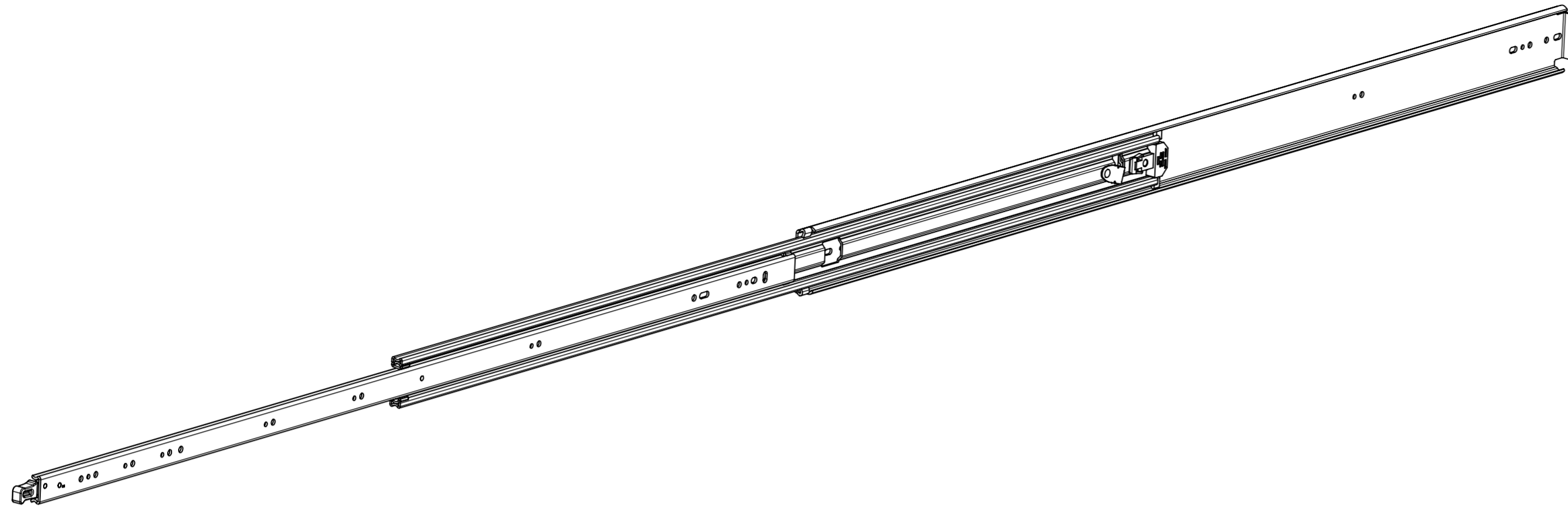
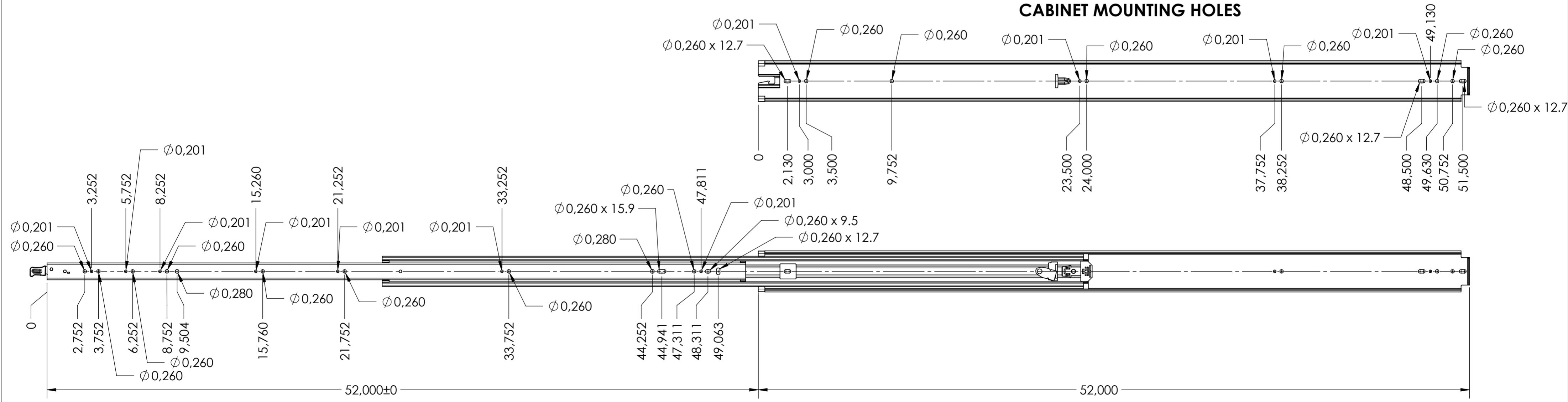


X



CABINET MOUNTING HOLES



RECOMMENDED HARDWARE:
 CABINET- M6 OR 1/4 BUTTON HEAD SCREWS
 DRAWER- M6 OR 1/4 BUTTON HEAD SCREWS

general tolerances		DIN ISO 128-30 missing dimensions see 3D = theor. intersection	
ISO 2768-m			
This drawing remains our property and may not be multiplied neither be disclosed to third parties (§§1,3 and 5 from the copyright Act (UrhG)) covered according to DIN ISO 16016			
(k)		scale:	surface:
(l)		1:5	
(i)		date	name
(h)		drawn 15-03-2018	HB
(g)		proven 00-00-0000	00
(f)		Fulterer	
(e)			
(d)		Fulterer AG & Co KG A-6890 Lustenau / Austria	
(c)		Fulterer AG CH-9430 St. Margrethen	
(b)		drawing number: 5400.52-GA.T009	
(a)	UPDATE TITLE BLOCK	19-03-2019	HB
ind.	changes	date	na.
		drawing number: 5400.52-GA.T009 replaces version date:	