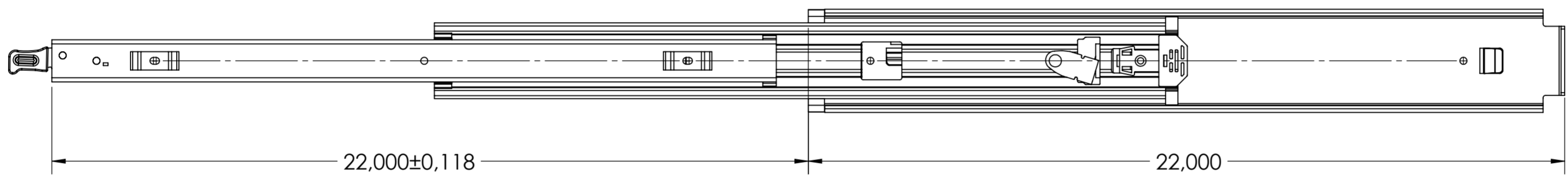
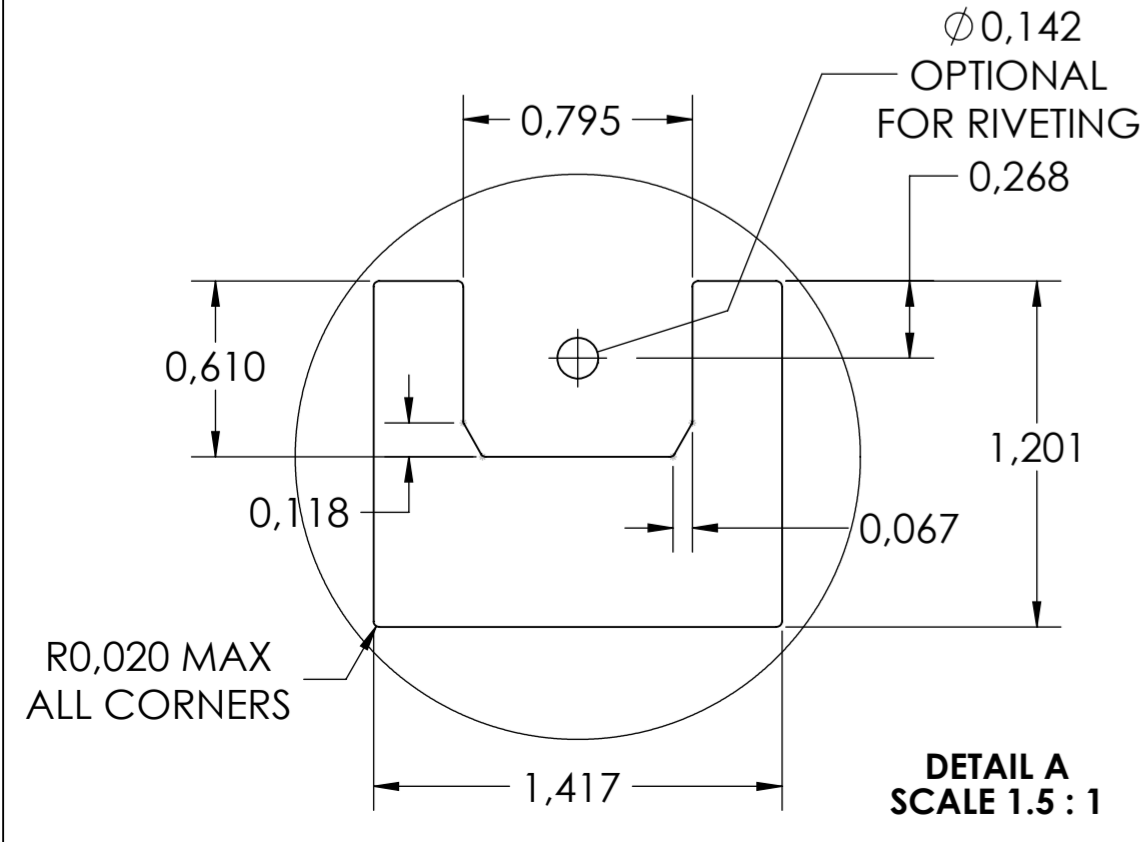
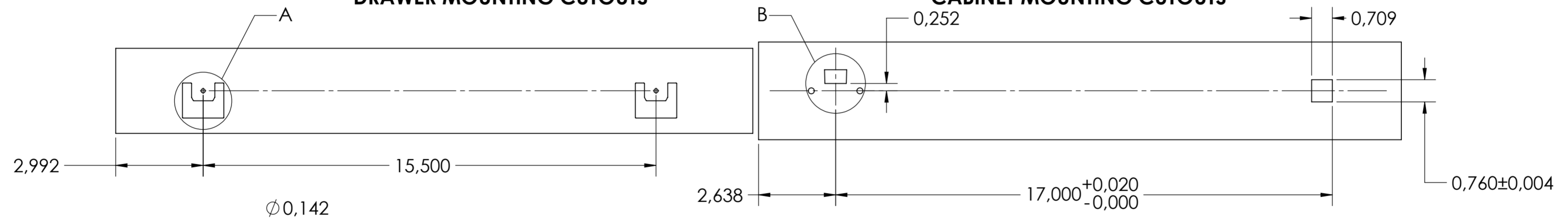


SCALE 1:1

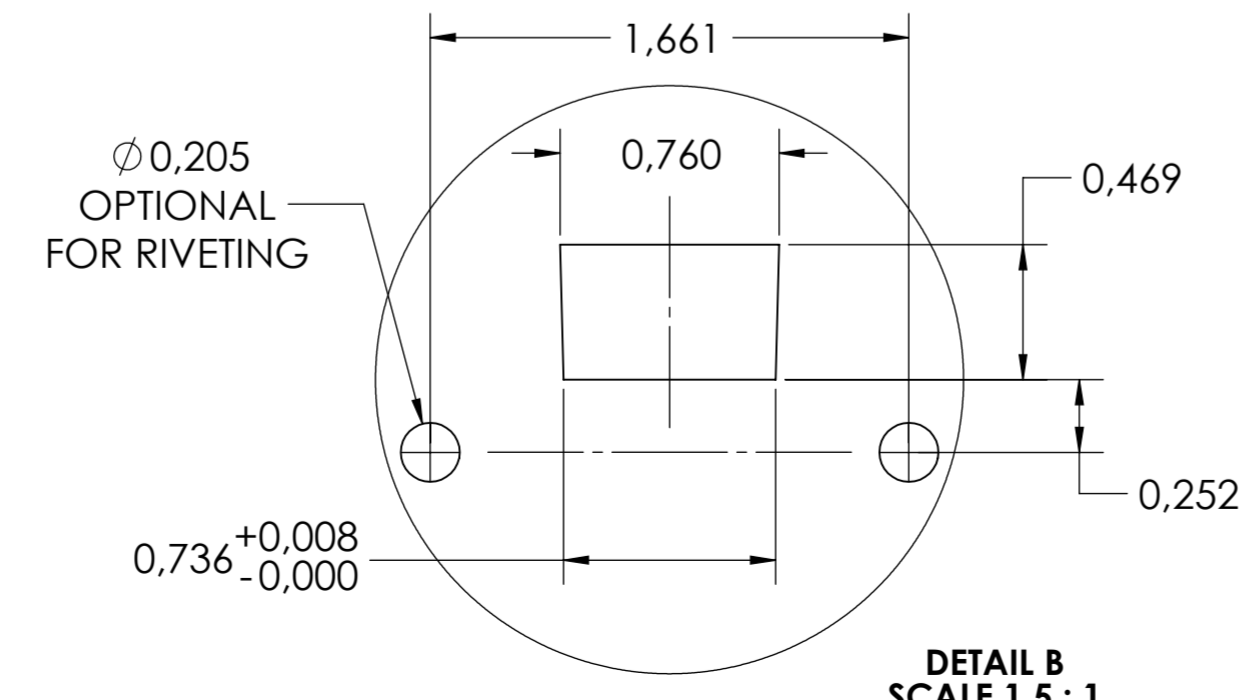


DRAWER MOUNTING CUTOUTS

CABINET MOUNTING CUTOUTS



**DETAIL A
SCALE 1.5 : 1**



**DETAIL B
SCALE 1.5 : 1**

| | | | |
|---|---------|--|----------|
| general tolerances | | DIN ISO 128-30 missing dimensions see 3D = theor. intersection | |
| ISO 2768-m | | | |
| This drawing remains our property and may not be multiplied neither be disclosed to third parties (§§1,3 and 5 from the copyright Act (UrhG)) | | | |
| covered according to DIN ISO 16016 | | scale: | surface: |
| | | 1:3 | |
| (k) | | date | name |
| (l) | | drawn 24-07-2019 | HB |
| (m) | | proven 00-00-0000 | 00 |
| (n) | | Fulterer | |
| (o) | | | |
| (p) | | Fulterer AG & Co KG | |
| (q) | | A-6890 Lustenau / Austria | |
| (r) | | Fulterer AG | |
| (s) | | CH-9430 St. Margrethen | |
| (t) | | drawing number: | |
| (u) | | 5400.22-GA.T118 | |
| (v) | | replaces version date: | |
| (w) | | | |
| (x) | | | |
| (y) | | | |
| (z) | | | |
| ind. | changes | date | na. |