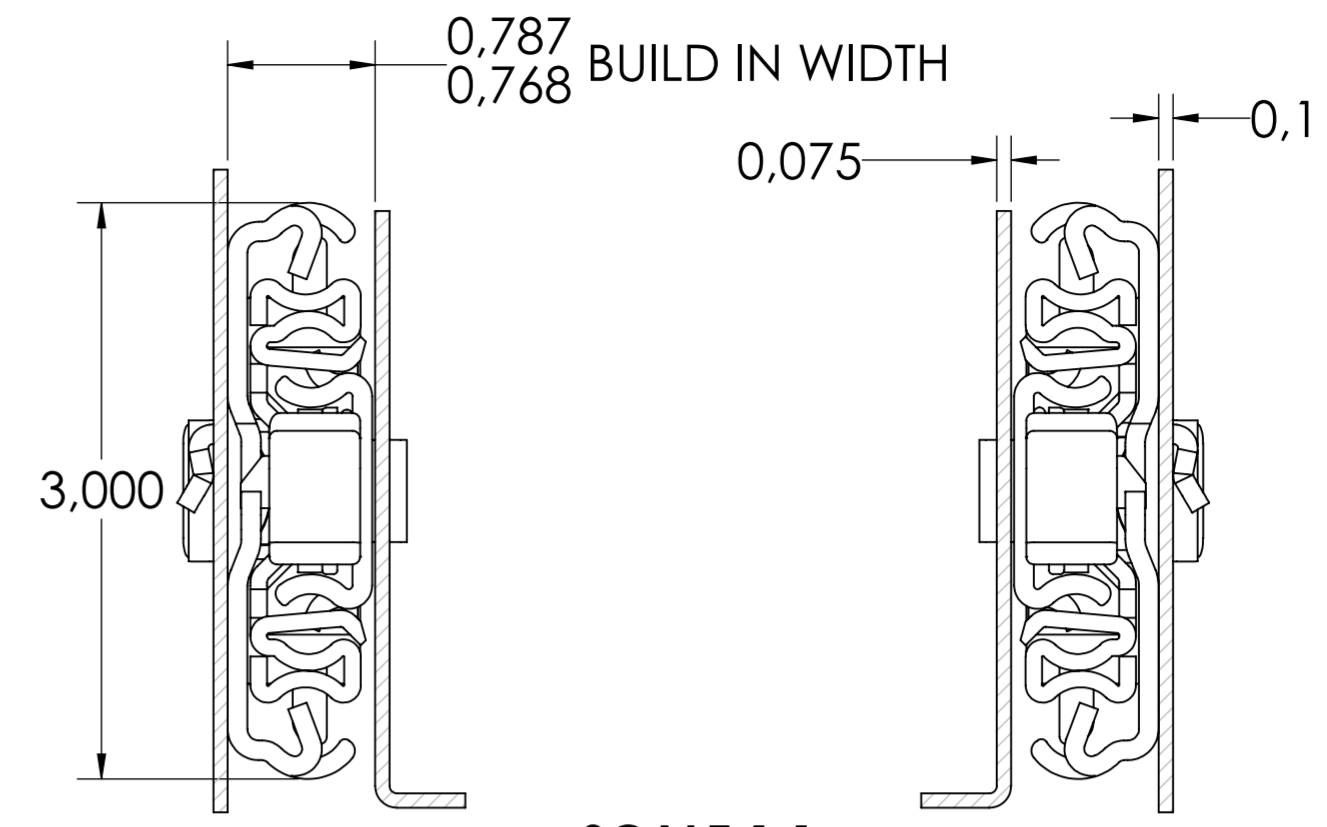
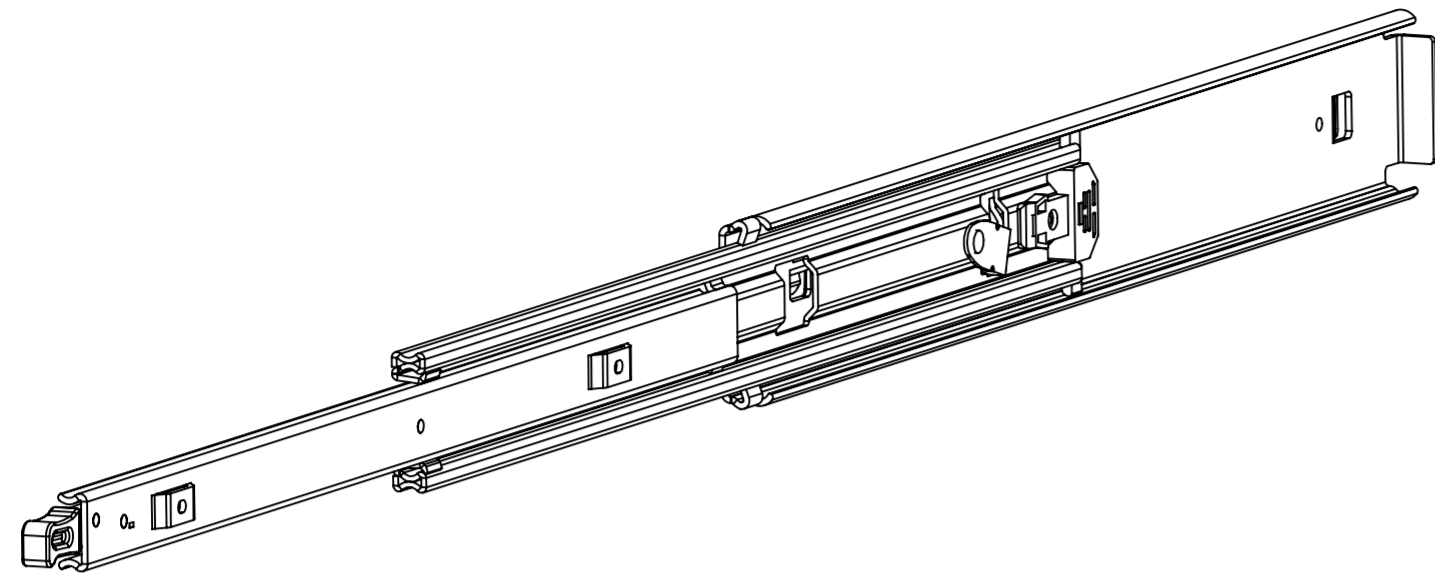
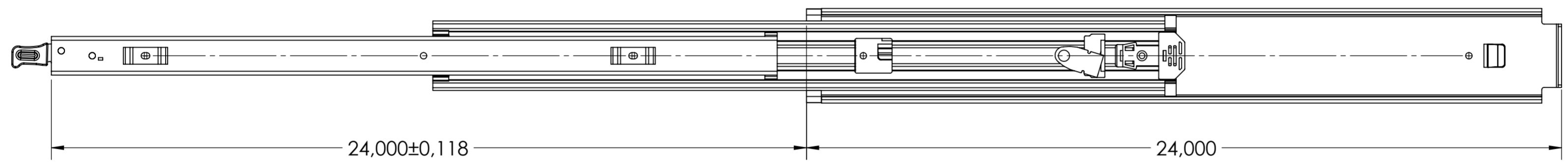
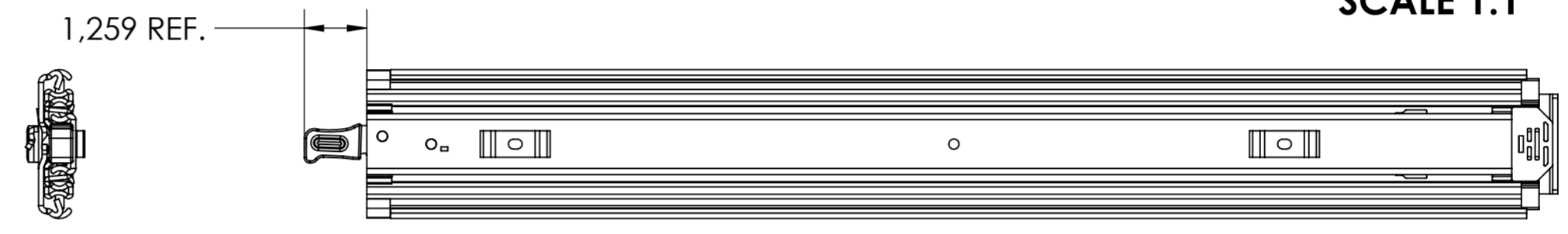


5400.24-GA.T118

X

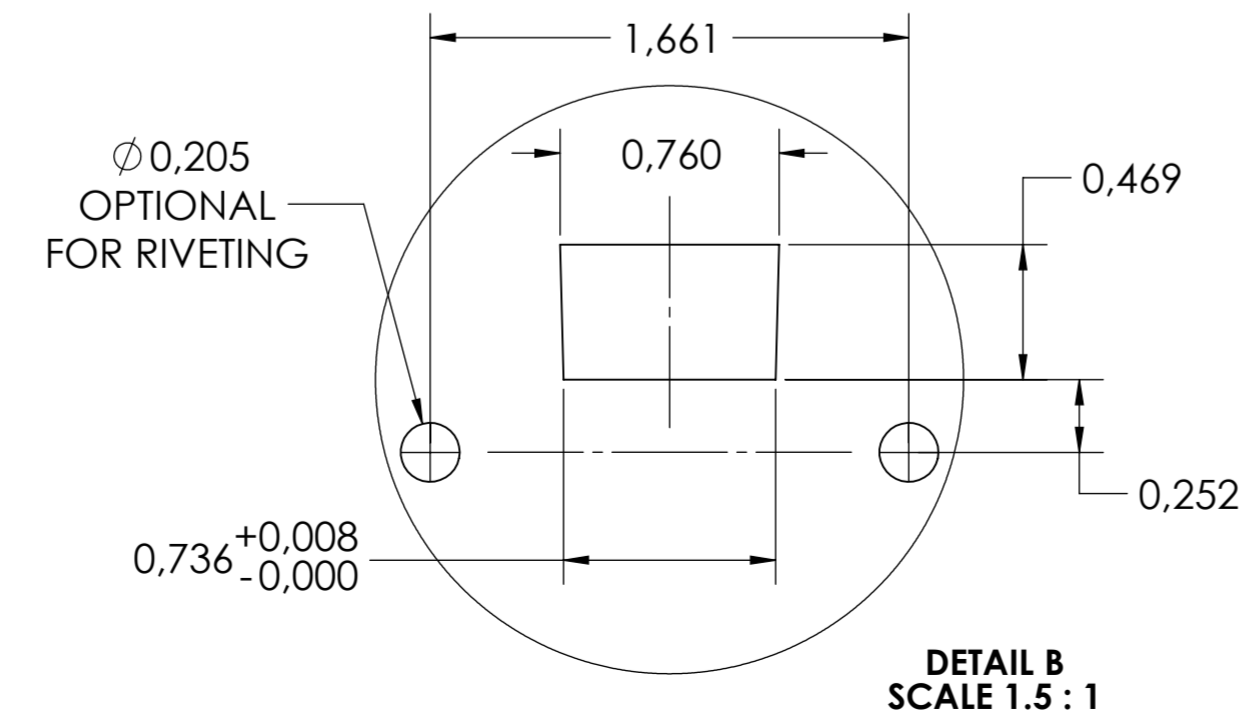
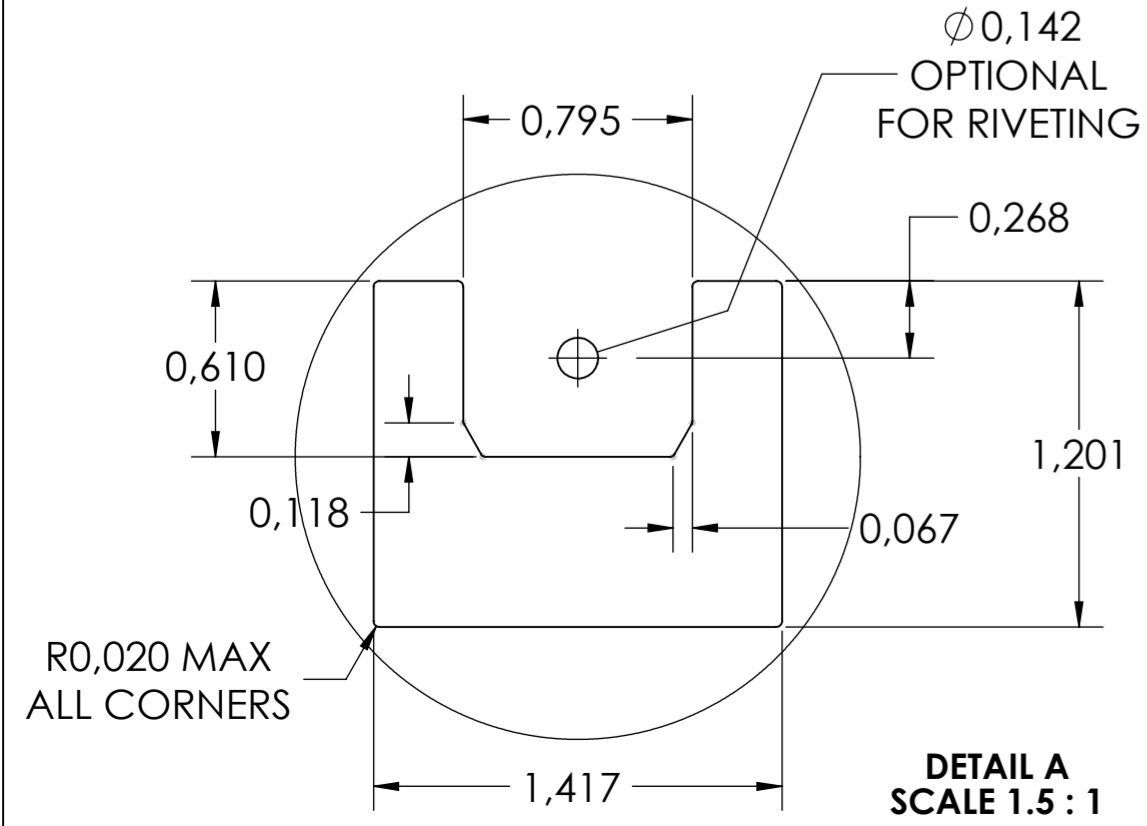
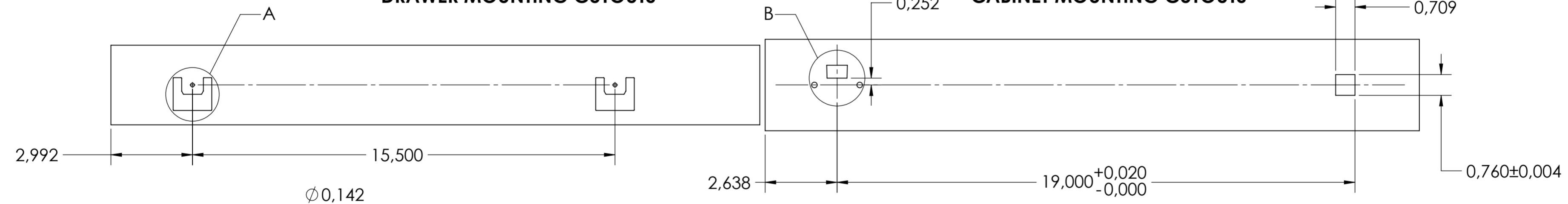


SCALE 1:1



DRAWER MOUNTING CUTOUTS

CABINET MOUNTING CUTOUTS



| | | | |
|--|---------------------------------------|--|---|
| general tolerances | | DIN ISO 128-30 missing dimensions see 3D = theor. intersection | |
| ISO 2768-m | | | |
| This drawing remains our property and may not be multiplied neither be disclosed to third parties (§§1,3 and 5 from the copyright Act (UrhG)) covered according to DIN ISO 16016 | | | |
| (k) | scale: | surface: | material, semi finished parts: |
| (l) | 1:3 | | STEEL |
| (m) | date | name | (technical requirements Fulterer) |
| (n) | drawn 24-07-2019 | HB | description: SIDE MOUNT FULL EXTENSION SMT (1.9) LOCK-IN/LOCK-OUT NON-DISCONNECT SLIDE |
| (o) | proven 00-00-0000 | 00 | |
| (p) | Fulterer | | drawing number: 5400.24-GA.T118 |
| (q) | | | |
| (r) | Fulterer AG CH-9430 St. Margrethen | | replaces version date: |
| (s) | 0 | 00-00-0000 | 0 |
| (t) | ind. changes | date | na. |