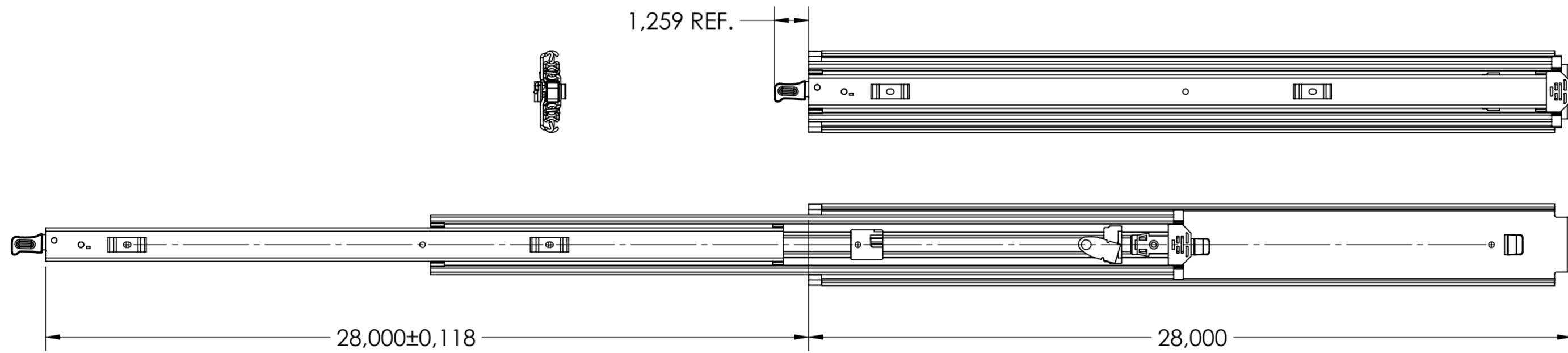
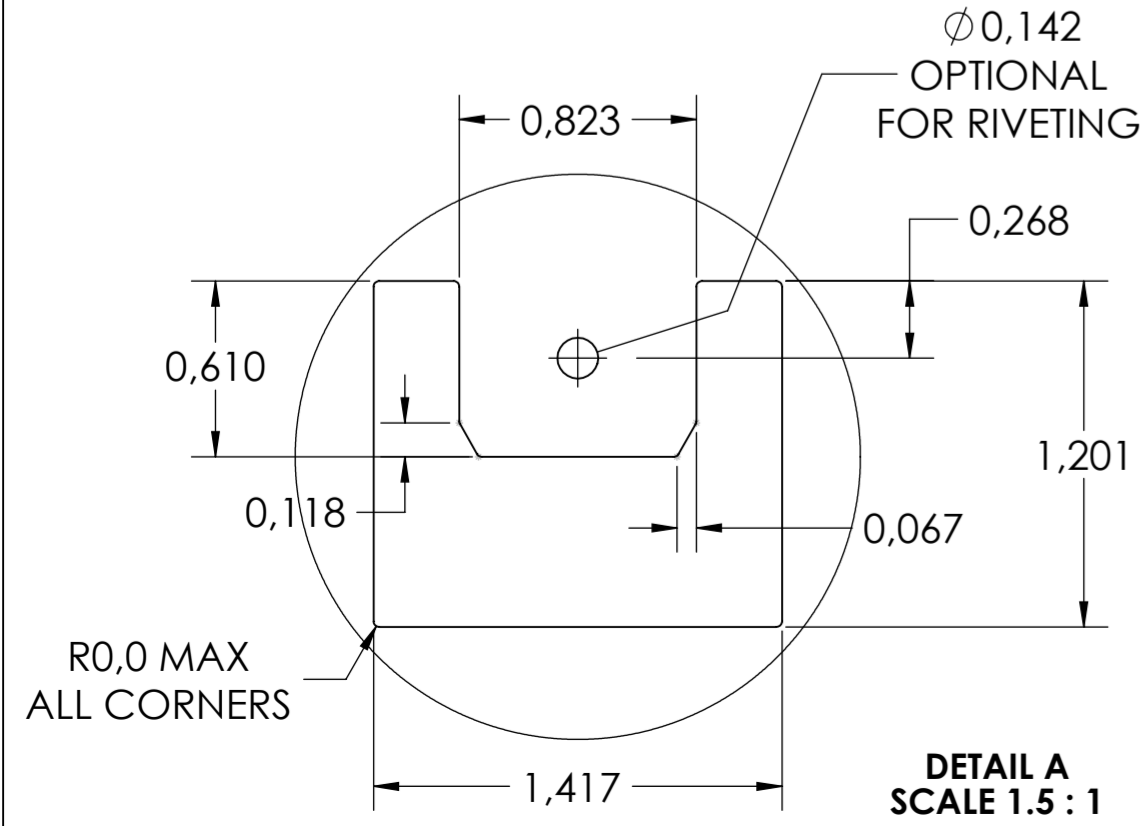
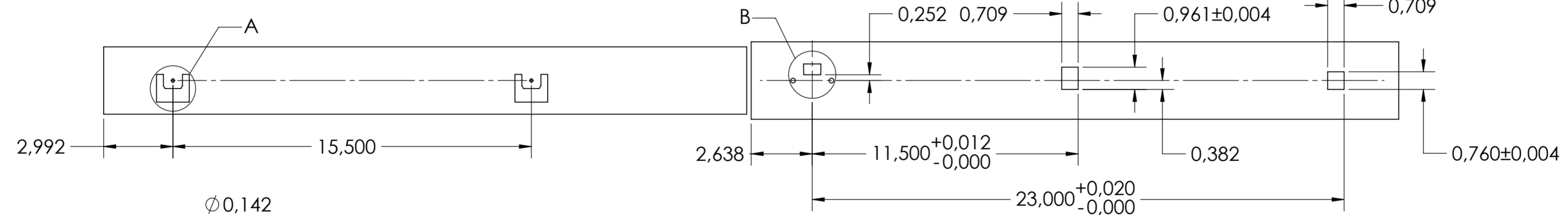


SCALE 1:1

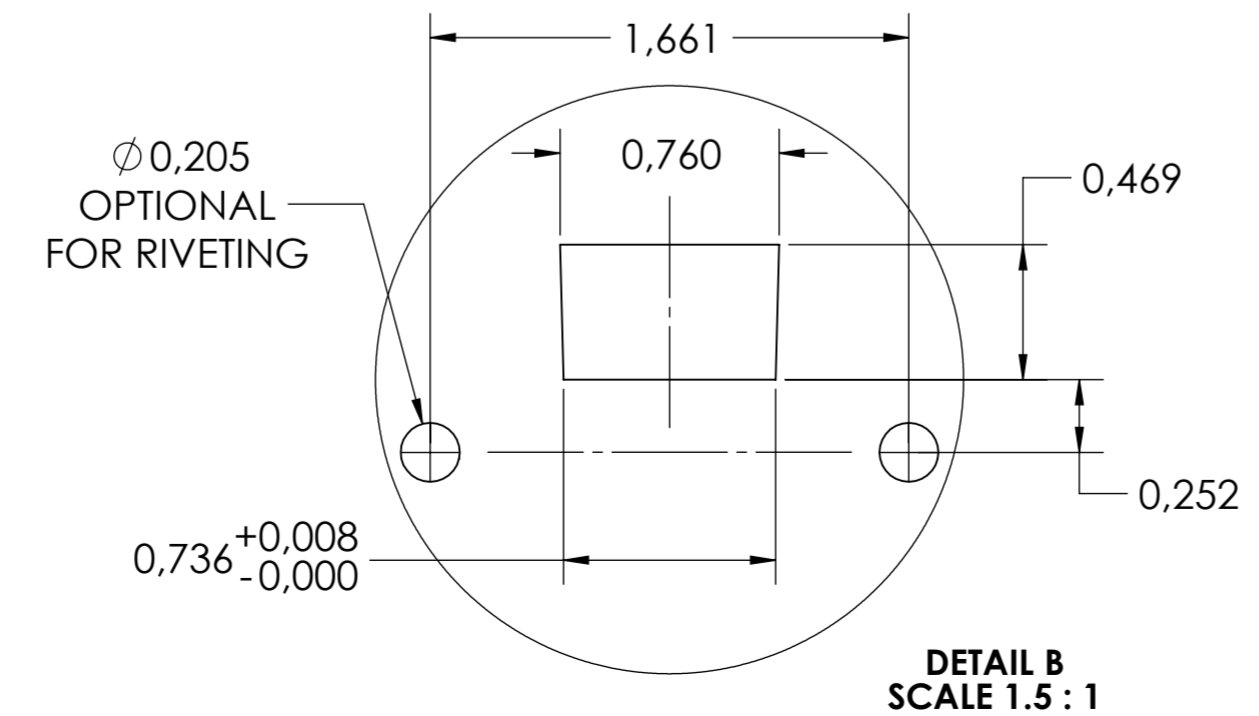


**DRAWER MOUNTING CUTOUTS**

**CABINET MOUNTING CUTOUTS**



DETAIL A  
SCALE 1.5 : 1



DETAIL B  
SCALE 1.5 : 1

|   |         |  |          |
|---|---------|--|----------|
| general tolerances  |         | DIN ISO 128-30<br>missing dimensions see 3D<br>= theor. intersection |          |
| ISO 2768-m  |         |  |          |
| This drawing remains our property and may not be multiplied neither be disclosed to third parties (§§1,3 and 5 from the copyright Act (UrhG)) |         |  |          |
| covered according to DIN ISO 16016  |         | scale:   | surface: |
|   |         | 1:4  |          |
| (k)   |         | date   | name     |
| (l)   |         | drawn 30-07-2019   | HB       |
| (m)   |         | proven 00-00-0000  | 00       |
| (n)   |         | <b>Fulterer</b>  |          |
| (o)   |         |  |          |
| (p)   |         | Fulterer AG & Co KG  |          |
| (q)   |         | A-6890 Lustenau / Austria  |          |
| (r)   |         | Fulterer AG  |          |
| (s)   |         | CH-9430 St. Margrethen   |          |
| (t)   |         | drawing number:  |          |
| (u)   |         | <b>5400.28-GA.T117</b>   |          |
| (v)   |         | replaces version date:   |          |
| (w)   |         |  |          |
| (x)   |         |  |          |
| (y)   |         |  |          |
| (z)   |         |  |          |
| ind.  | changes | date   | na.      |