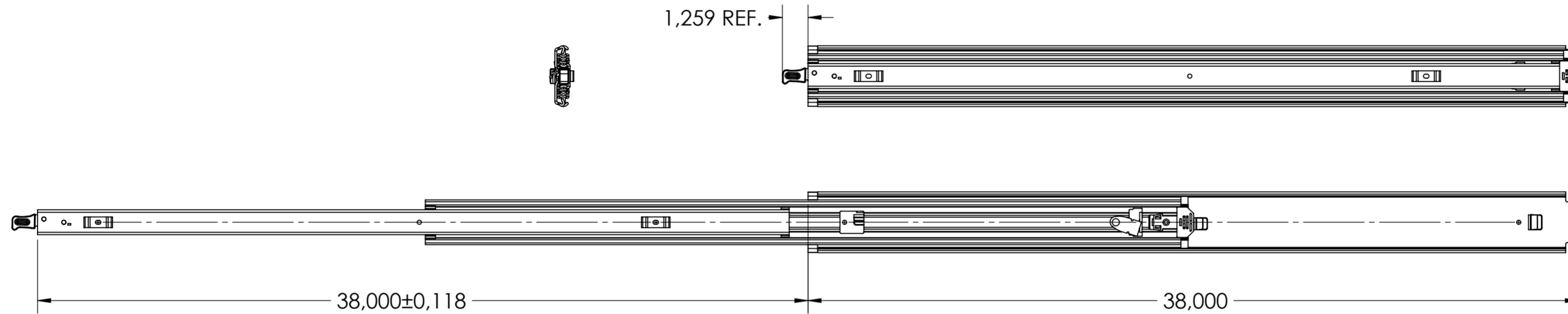


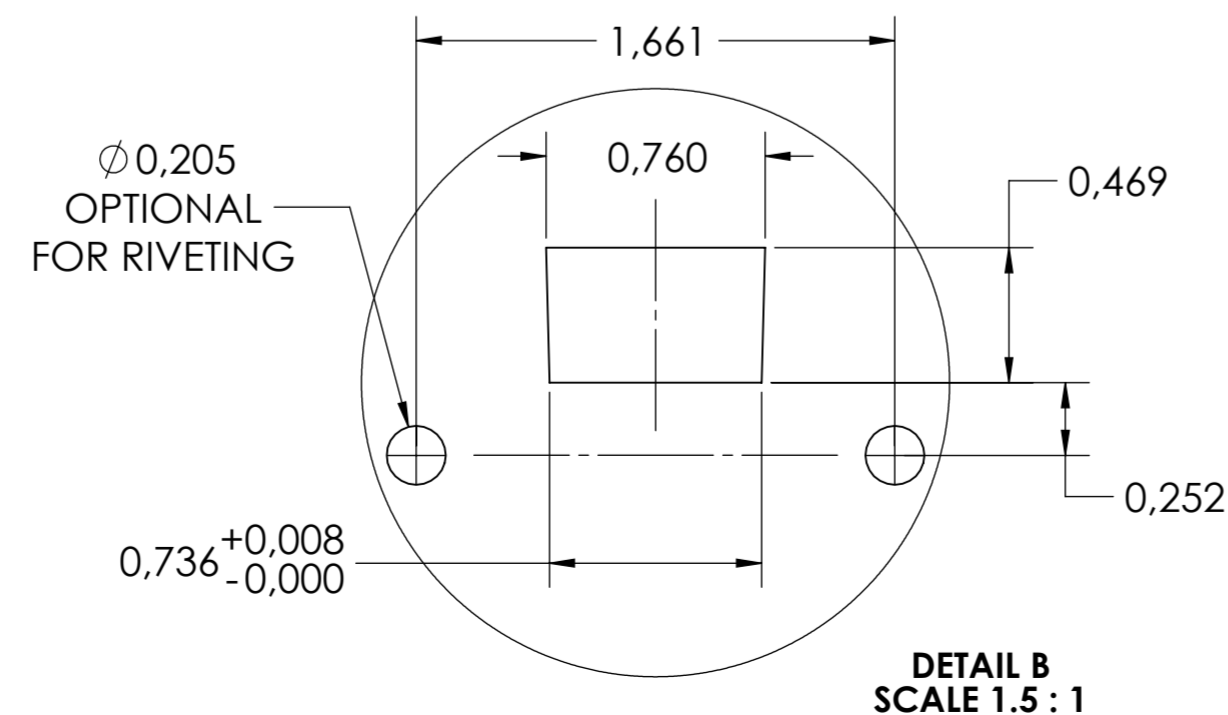
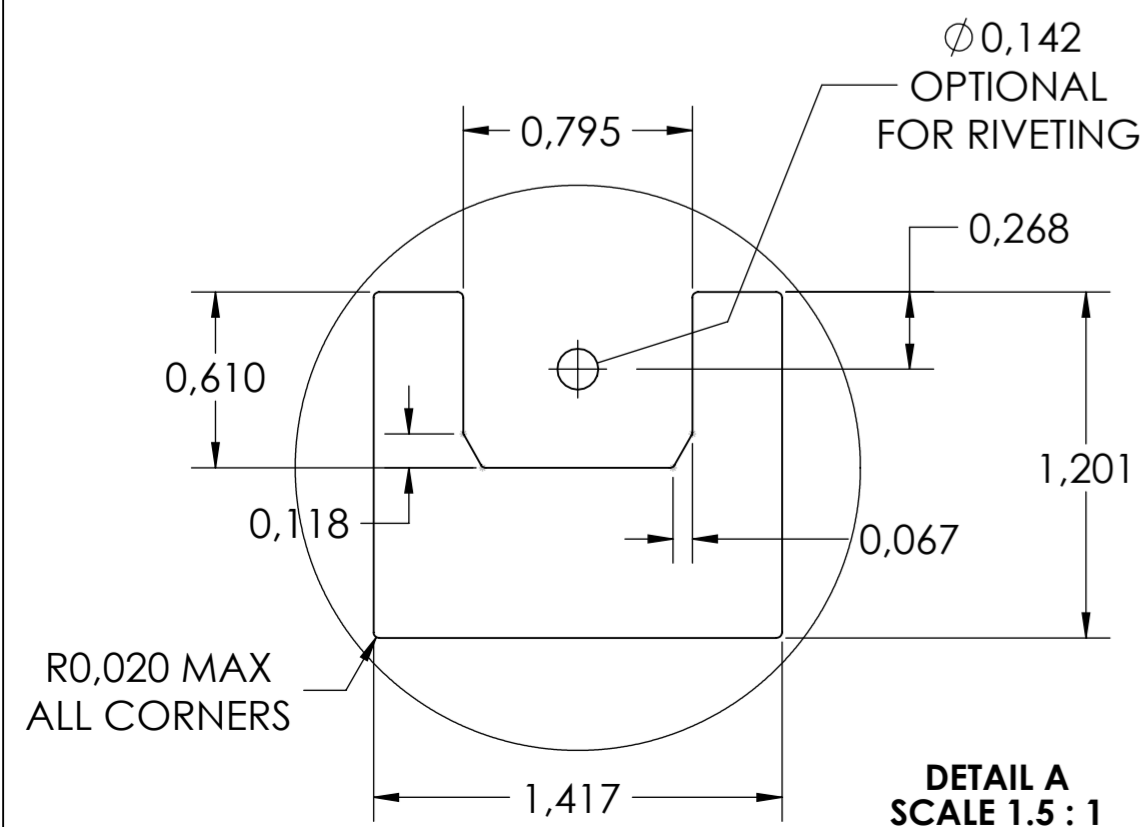
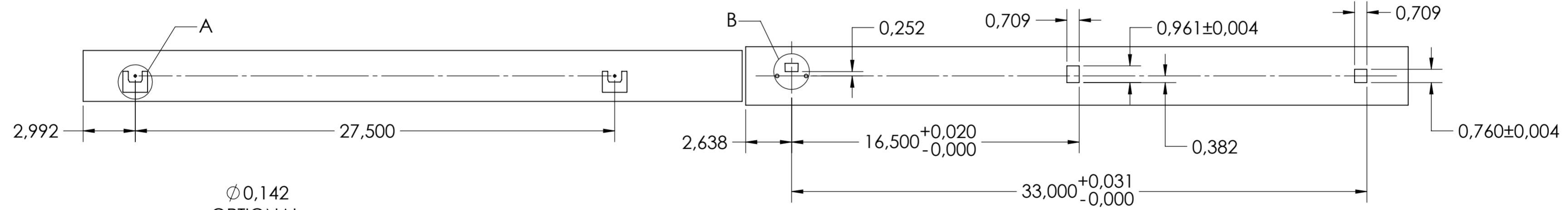
SCALE 1:1

1,259 REF.



DRAWER MOUNTING CUTOUTS

CABINET MOUNTING CUTOUTS



general tolerances		DIN ISO 128-30 missing dimensions see 3D = theor. intersection	
ISO 2768-m			
This drawing remains our property and may not be multiplied neither be disclosed to third parties (§§1,3 and 5 from the copyright Act (UrhG)) covered according to DIN ISO 16016			
(k)	scale:	1:5	surface:
(l)	date	24-07-2019	name
(m)	drawn	HB	
(n)	proven	00-00-0000	00
(o)	Fulterer		material, semi finished parts: STEEL (technical requirements Fulterer)
(p)			description: SIDE MOUNT FULL EXTENSION SMT (1.9) LOCK-IN/LOCK-OUT NON-DISCONNECT SLIDE
(q)			drawing number: 5400.38-GA.T118
(r)			replaces version date:
(s)	changes	date	na.
(t)	0	00-00-0000	0
(u)	Fulterer AG & Co KG A-6890 Lustenau / Austria		
(v)	Fulterer AG CH-9430 St. Margrethen		