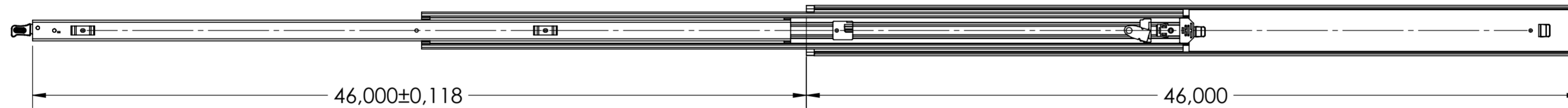
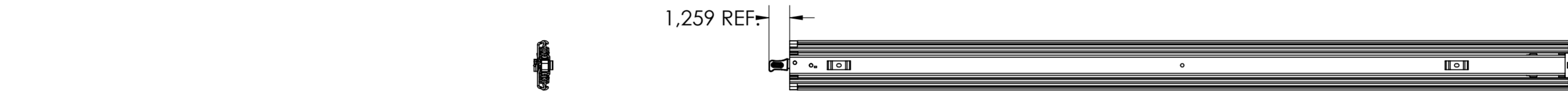


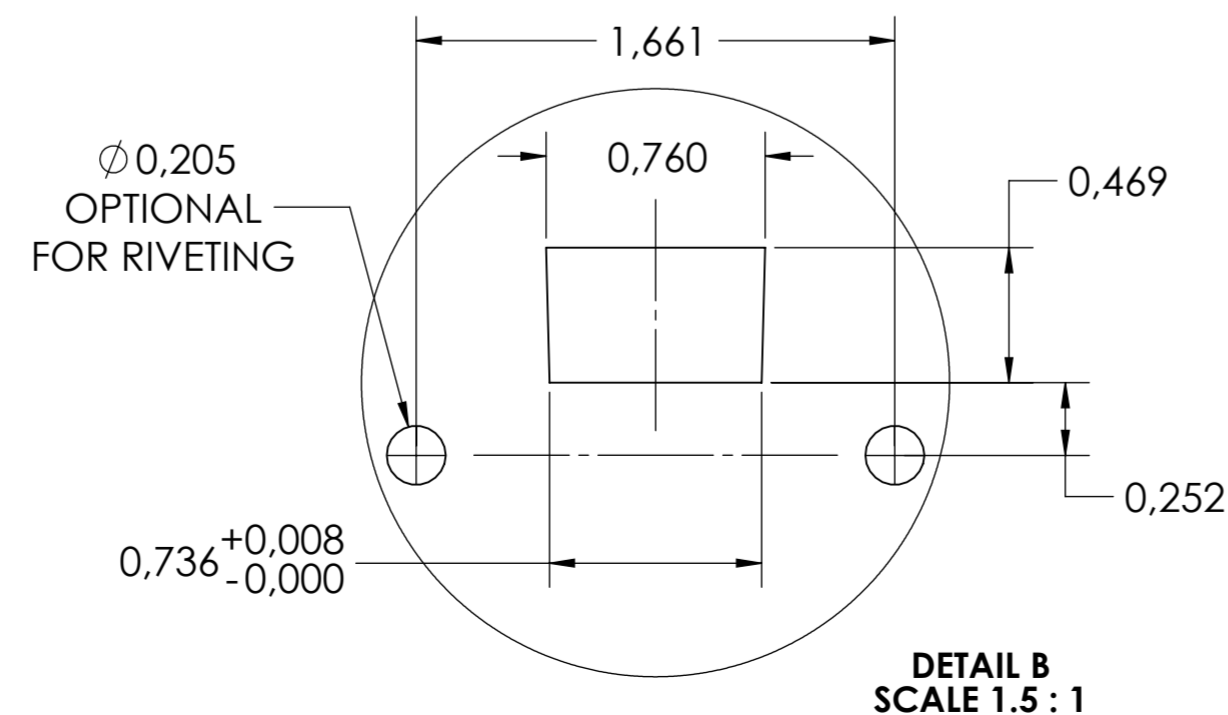
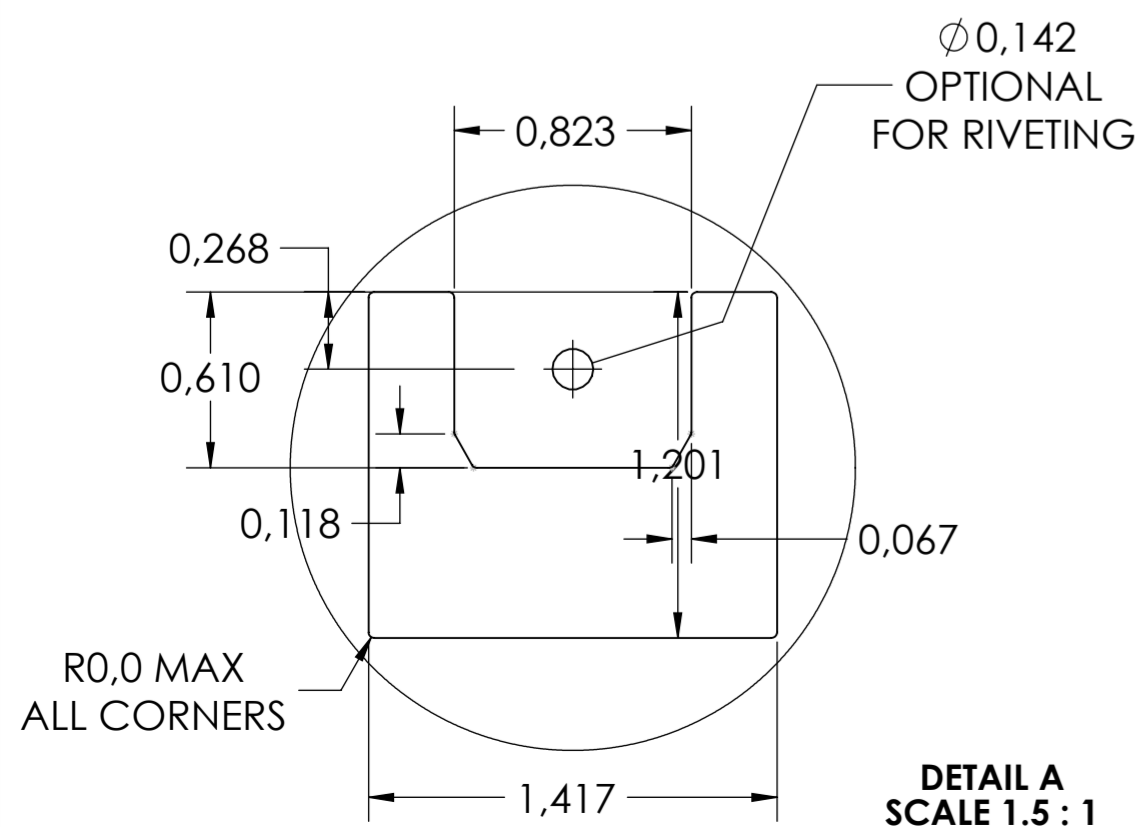
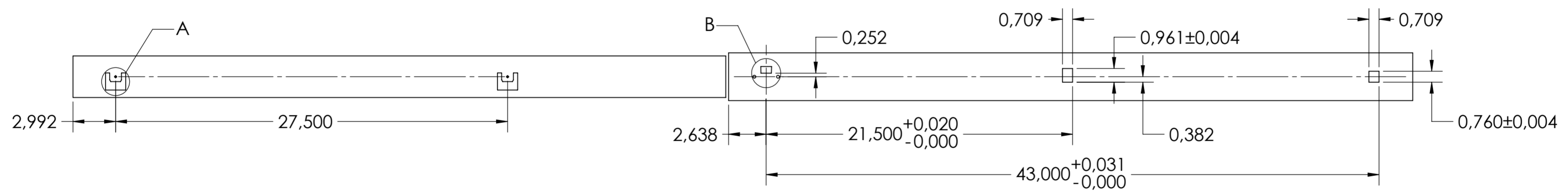
SCALE 1:1

1,259 REF.



DRAWER MOUNTING CUTOUTS

CABINET MOUNTING CUTOUTS



|   |  |  |          |
|---|--|--|----------|
| general tolerances  |  | DIN ISO 128-30<br>missing dimensions see 3D<br>= theor. intersection |          |
| ISO 2768-m  |  |  |          |
| This drawing remains our property and may not be multiplied neither be disclosed to third parties (§§1,3 and 5 from the copyright Act (UrhG)) |  |  |          |
| covered according to DIN ISO 16016  |  | scale:   | surface: |
| (k)   |  | 1:6  |          |
| (l)   |  | date   | name     |
| (m)   |  | drawn 30-07-2019   | HB       |
| (n)   |  | proven 00-00-0000  | 00       |
| (o)   |  | <b>Fulterer</b>  |          |
| (p)   |  |  |          |
| (q)   |  | Fulterer AG & Co KG<br>A-6890 Lustenau / Austria                     |          |
| (r)   |  | Fulterer AG<br>CH-9430 St. Margrethen                                |          |
| (s)   |  | drawing number:<br><b>5400.46-GA.T117</b>                            |          |
| (t)   |  | replaces version date:   |          |
| (u)   |  | ind.   | changes  |
| (v)   |  | date   | na.      |