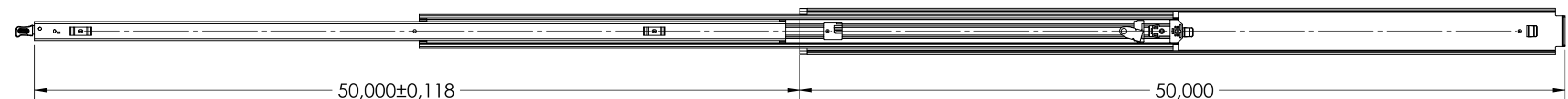


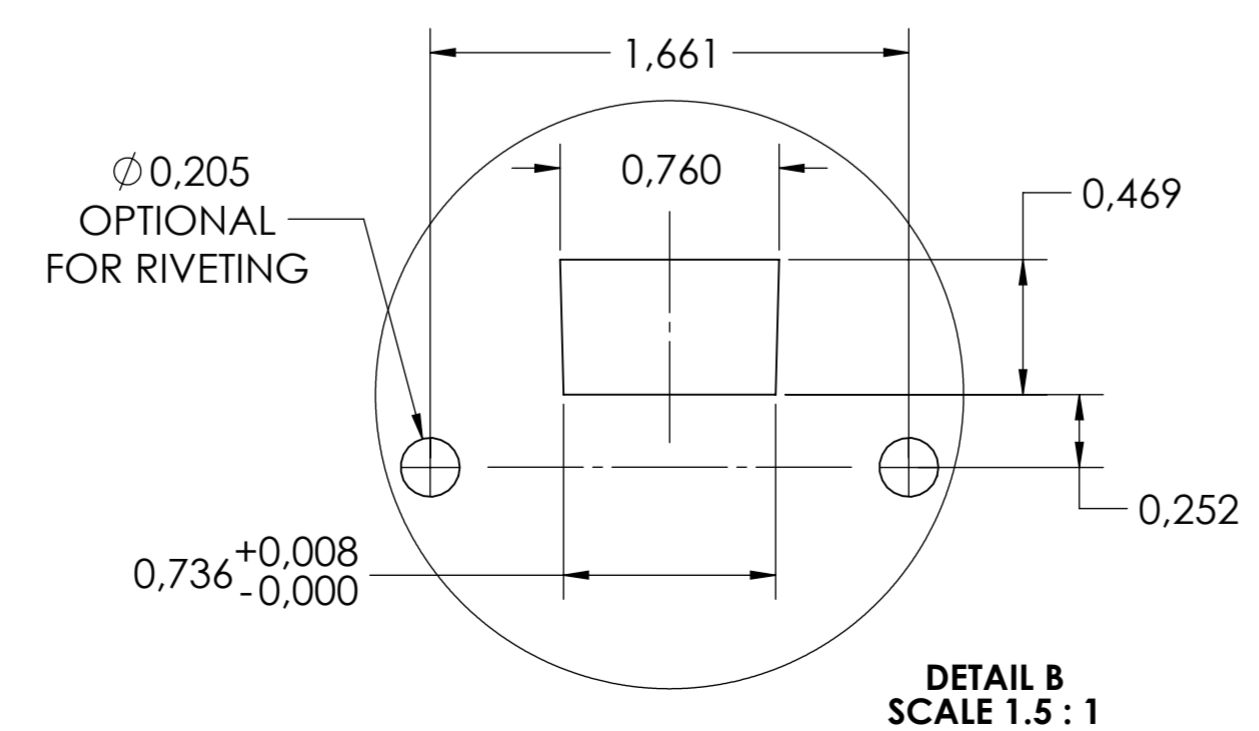
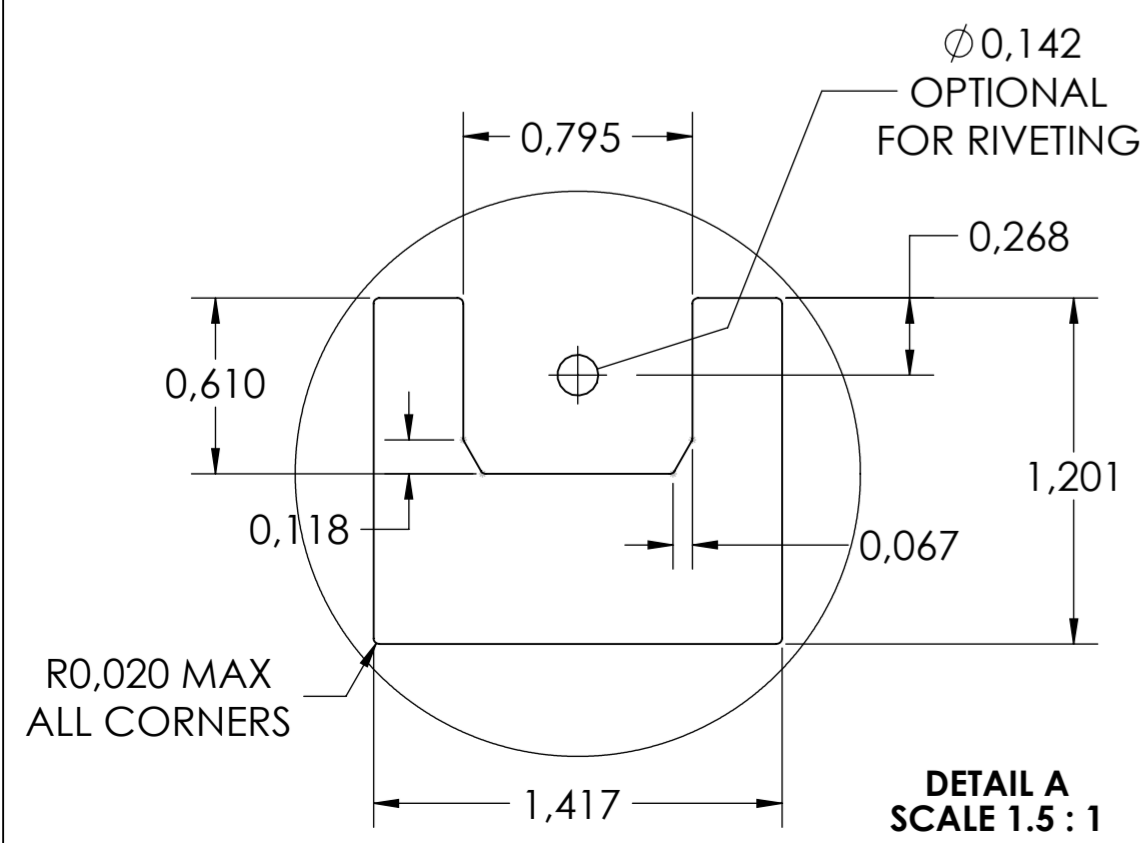
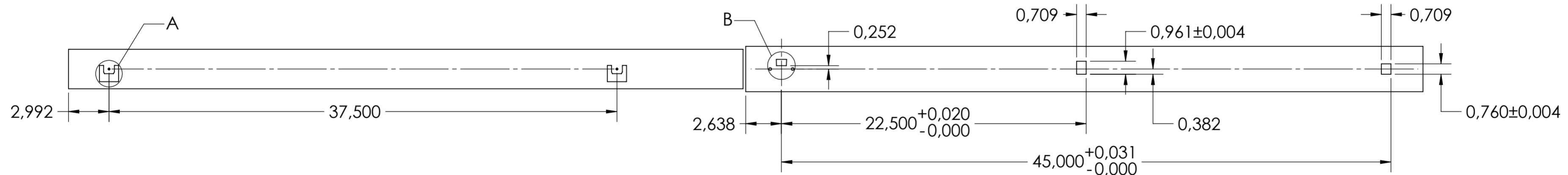
SCALE 1:1

1,259 REF.



DRAWER MOUNTING CUTOUTS

CABINET MOUNTING CUTOUTS



general tolerances		DIN ISO 128-30 missing dimensions see 3D = theor. intersection	
ISO 2768-m			
This drawing remains our property and may not be multiplied neither be disclosed to third parties (§§1,3 and 5 from the copyright Act (UrhG)) covered according to DIN ISO 16016			
(k)	scale:	surface:	material, semi finished parts:
(l)	1:6		STEEL
(m)	date	name	(technical requirements Fulterer)
(n)	drawn 24-07-2019	HB	description: SIDE MOUNT FULL EXTENSION SMT (1.9) LOCK-IN/LOCK-OUT NON-DISCONNECT SLIDE
(o)	proven 00-00-0000	00	
(p)	Fulterer		drawing number: 5400.50-GA.T118
(q)	Fulterer AG & Co KG A-6890 Lustenau / Austria		
(r)	Fulterer AG CH-9430 St. Margrethen		replaces version date:
(s)	ind.	changes	date
(t)	0	00-00-0000	0