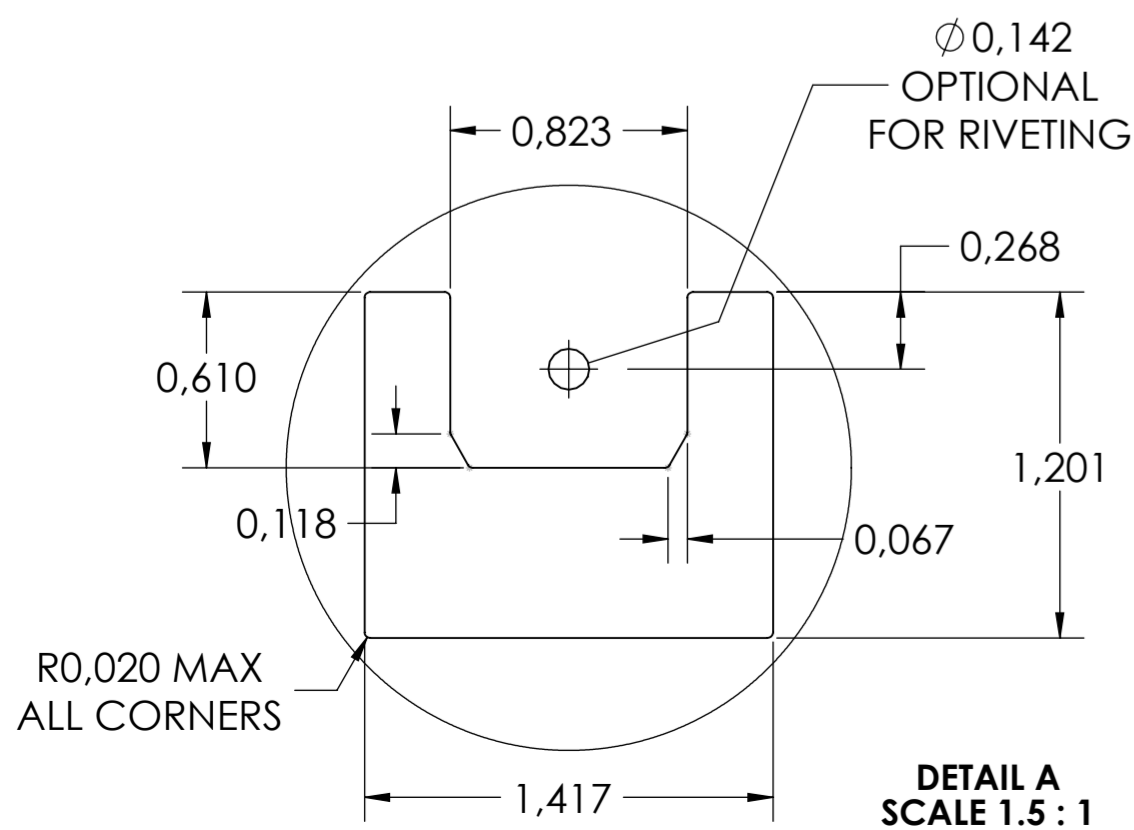
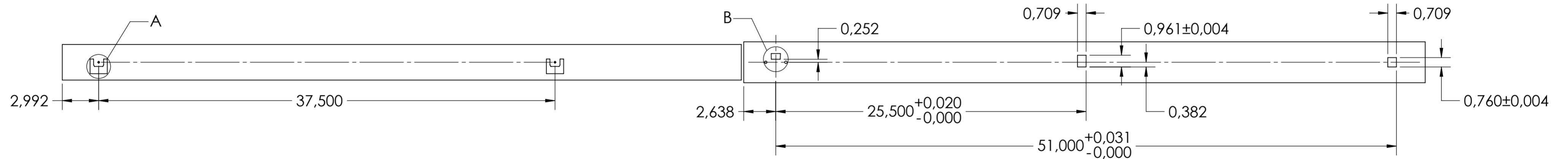
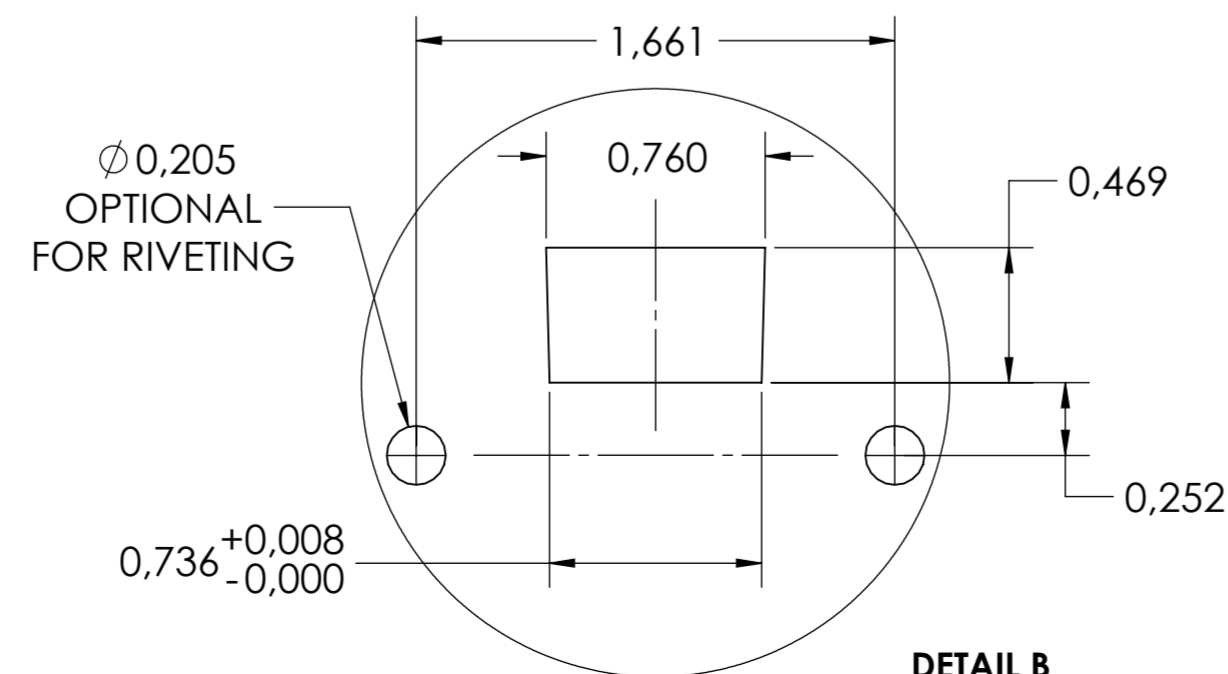


DRAWER MOUNTING CUTOUTS

CABINET MOUNTING CUTOUTS



**DETAIL A
SCALE 1.5 : 1**



**DETAIL B
SCALE 1.5 : 1**

general tolerances		DIN ISO 128-30 missing dimensions see 3D = theor. intersection	
ISO 2768-m			
This drawing remains our property and may not be multiplied neither be disclosed to third parties (§§1,3 and 5 from the copyright Act (UrhG))			
covered according to DIN ISO 16016		scale:	surface:
(k)		1:6	
(l)		date	name
(m)		drawn 30-07-2019	HB
(n)		proven 00-00-0000	00
(o)		Fulterer	
(p)			
(q)		material, semi finished parts: STEEL	
(r)		(technical requirements Fulterer)	
(s)		description:	
(t)		SIDE MOUNT FULL EXTENSION	
(u)		SMT (1.5) LOCK-IN/LOCK-OUT	
(v)		NON-DISCONNECT SLIDE	
(w)		drawing number:	
(x)		5400.56-GA.T117	
(y)		replaces version date:	
(z)			
ind.	changes	date	na.