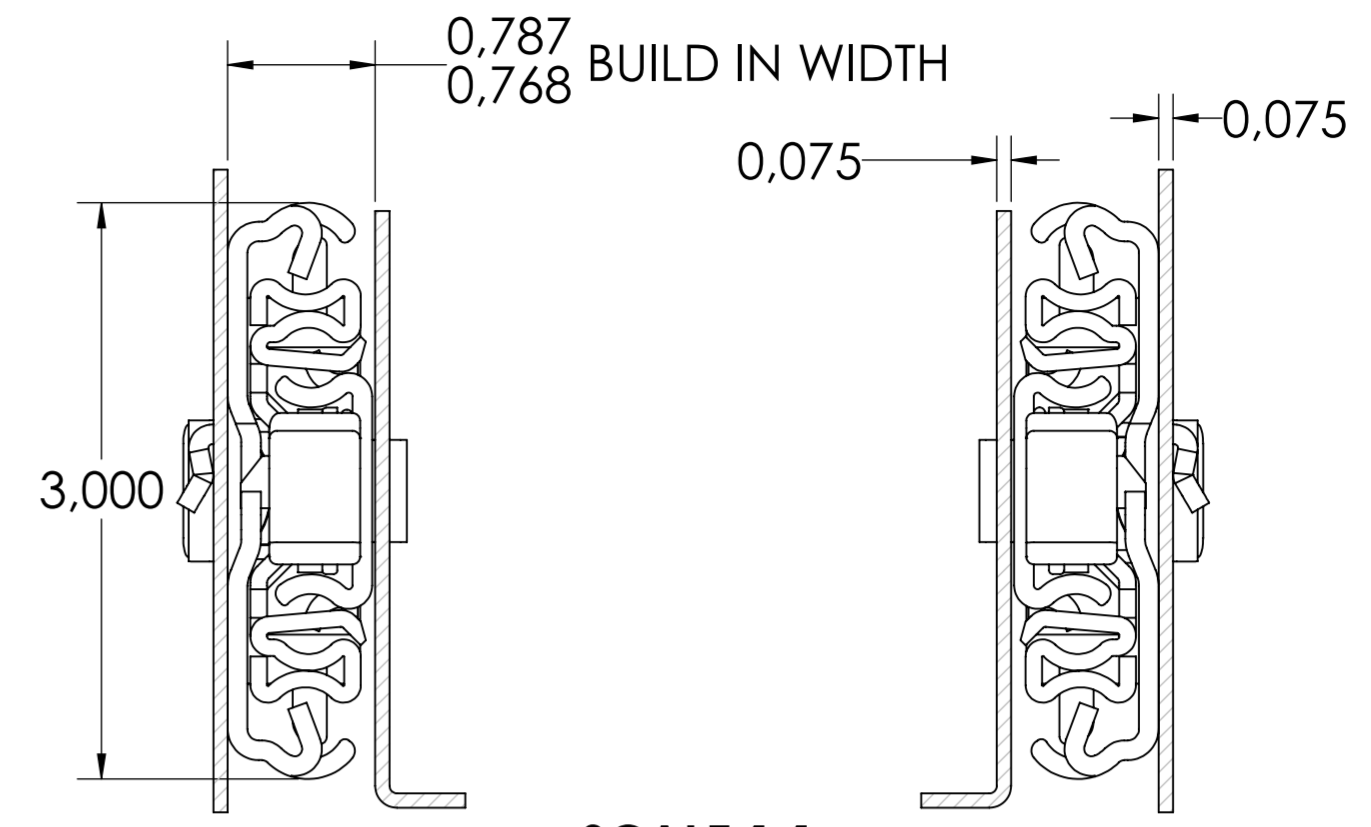
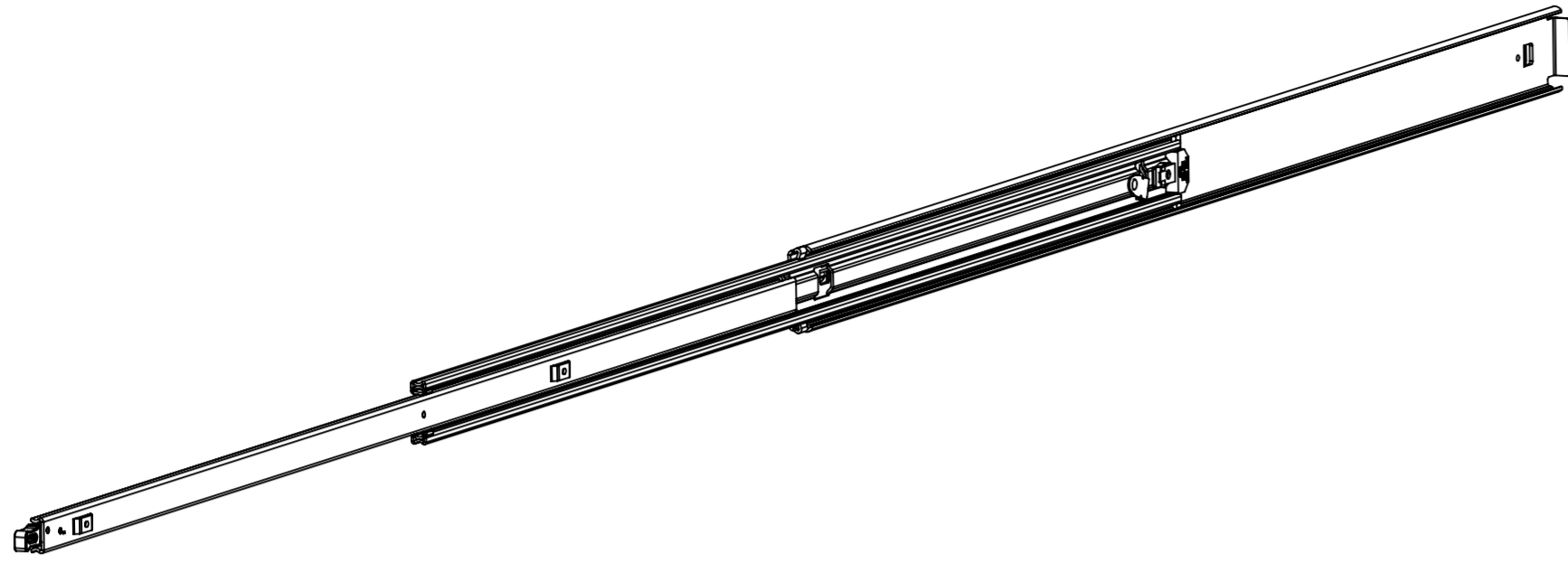
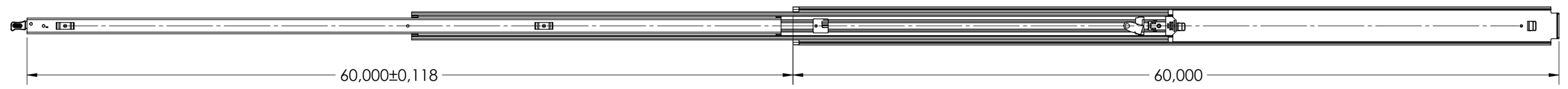
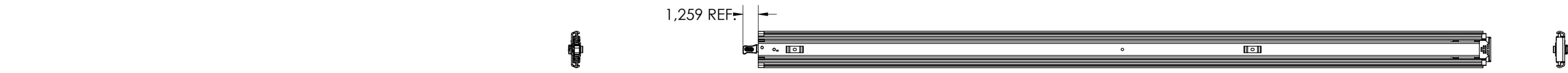


5400.60-GA.T118

X

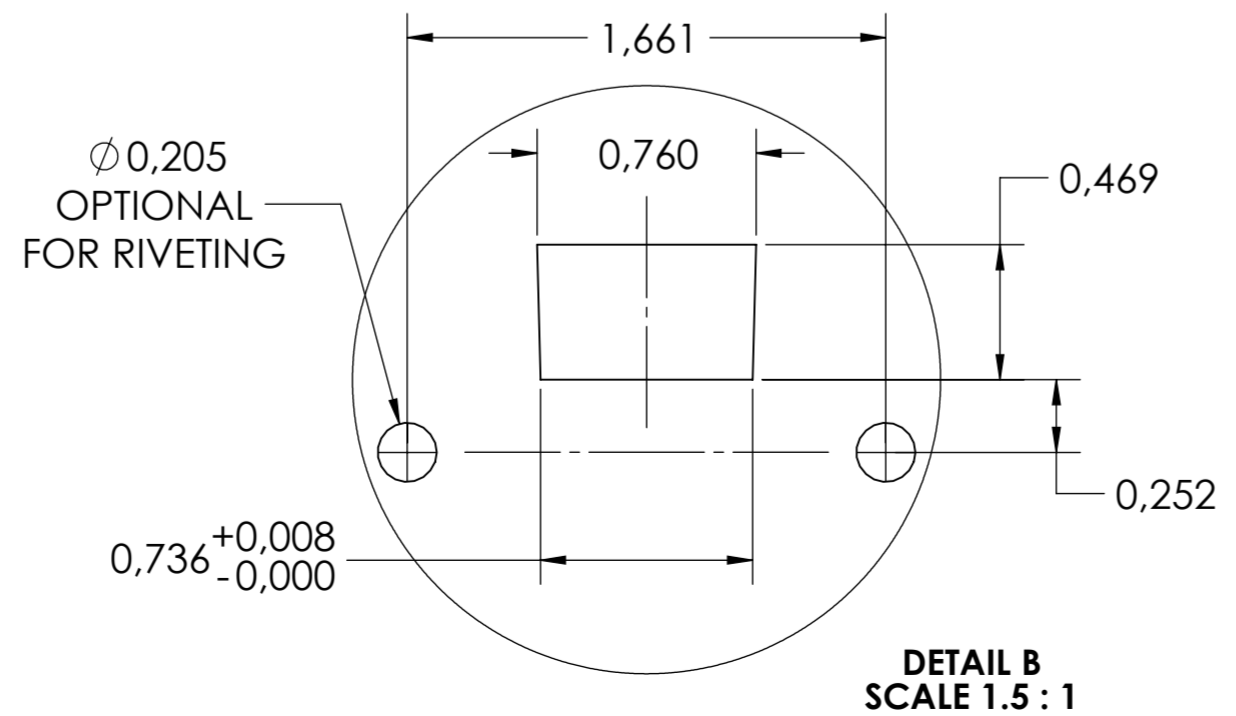
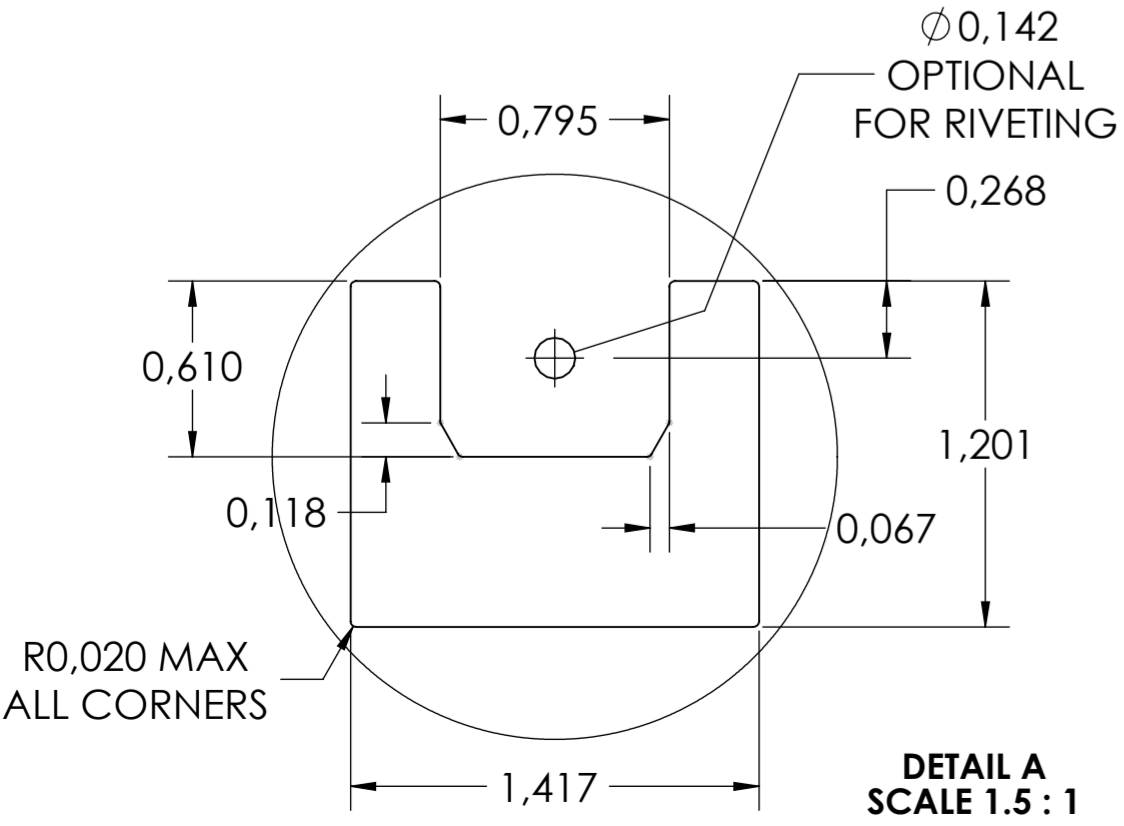
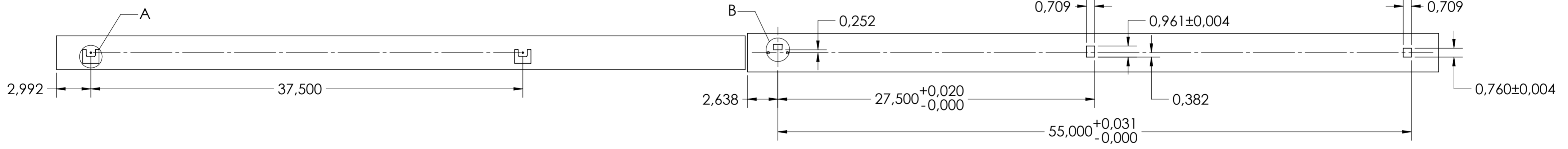


SCALE 1:1



DRAWER MOUNTING CUTOUTS

CABINET MOUNTING CUTOUTS



general tolerances		DIN ISO 128-30 missing dimensions see 3D = theor. intersection	
ISO 2768-m			
This drawing remains our property and may not be multiplied neither be disclosed to third parties (§§1,3 and 5 from the copyright Act (UrhG))			
covered according to DIN ISO 16016		scale:	surface:
(k)		1:6	
(l)		date	name
(m)		drawn 24-07-2019	HB
(n)		proven 00-00-0000	00
(o)		Fulterer	
(p)			
(q)		Fulterer AG & Co KG	
(r)		A-6890 Lustenau / Austria	
(s)		Fulterer AG	
(t)		CH-9430 St. Margrethen	
(u)	0	00-00-0000	0
(v)	changes	date	na.
material, semi finished parts:		STEEL (technical requirements Fulterer)	
description:		SIDE MOUNT FULL EXTENSION SMT (1.9) LOCK-IN/LOCK-OUT NON-DISCONNECT SLIDE	
drawing number:		5400.60-GA.T118	
replaces version date:			