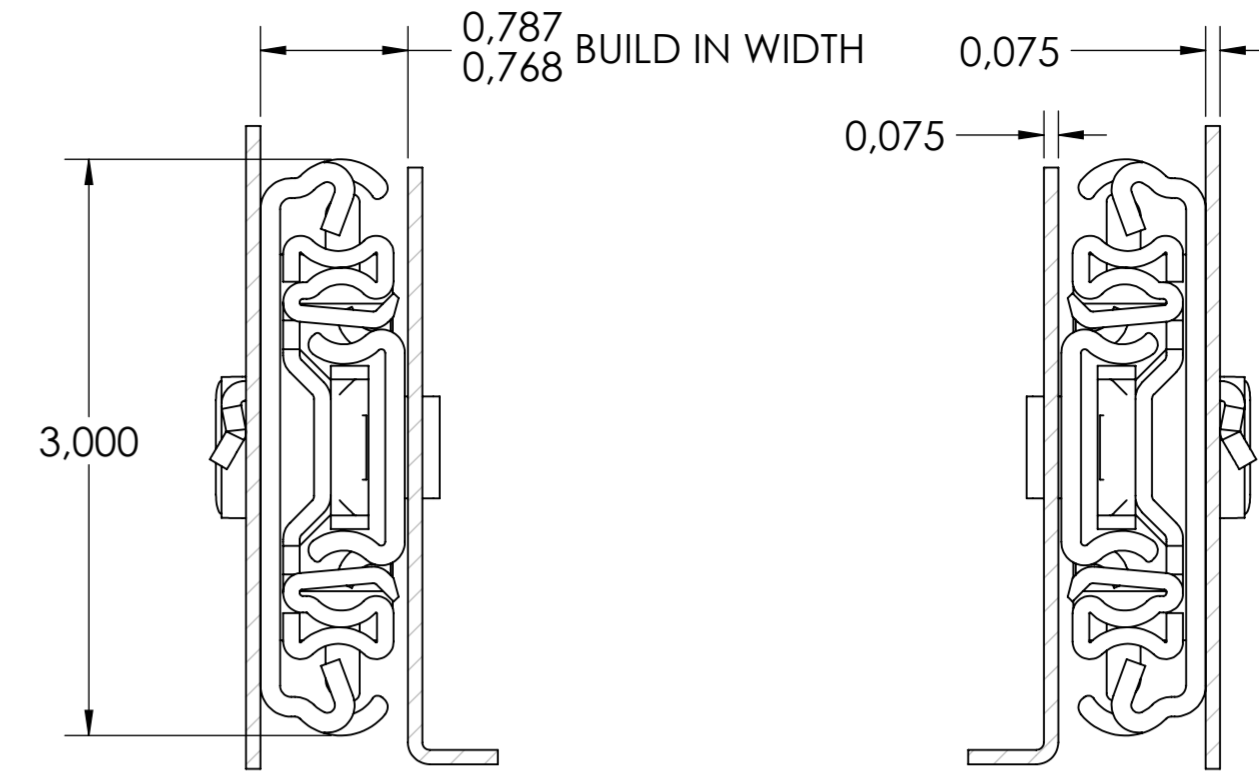
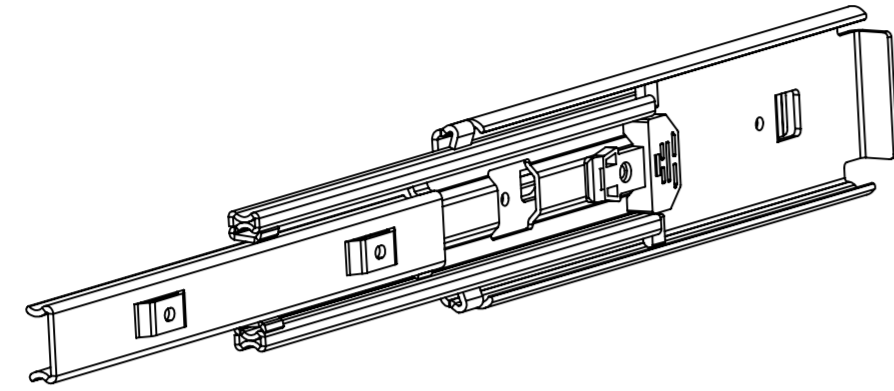
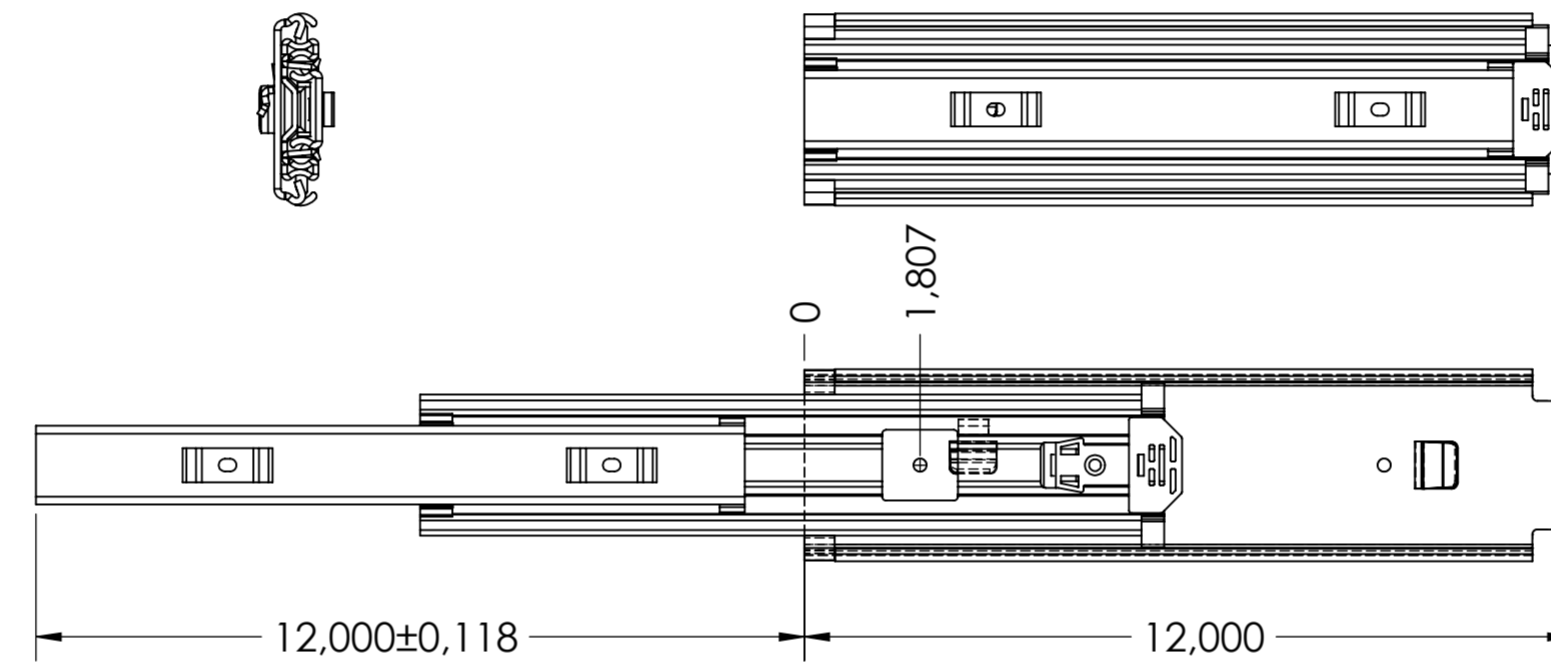


# 5400.12-GA.T115

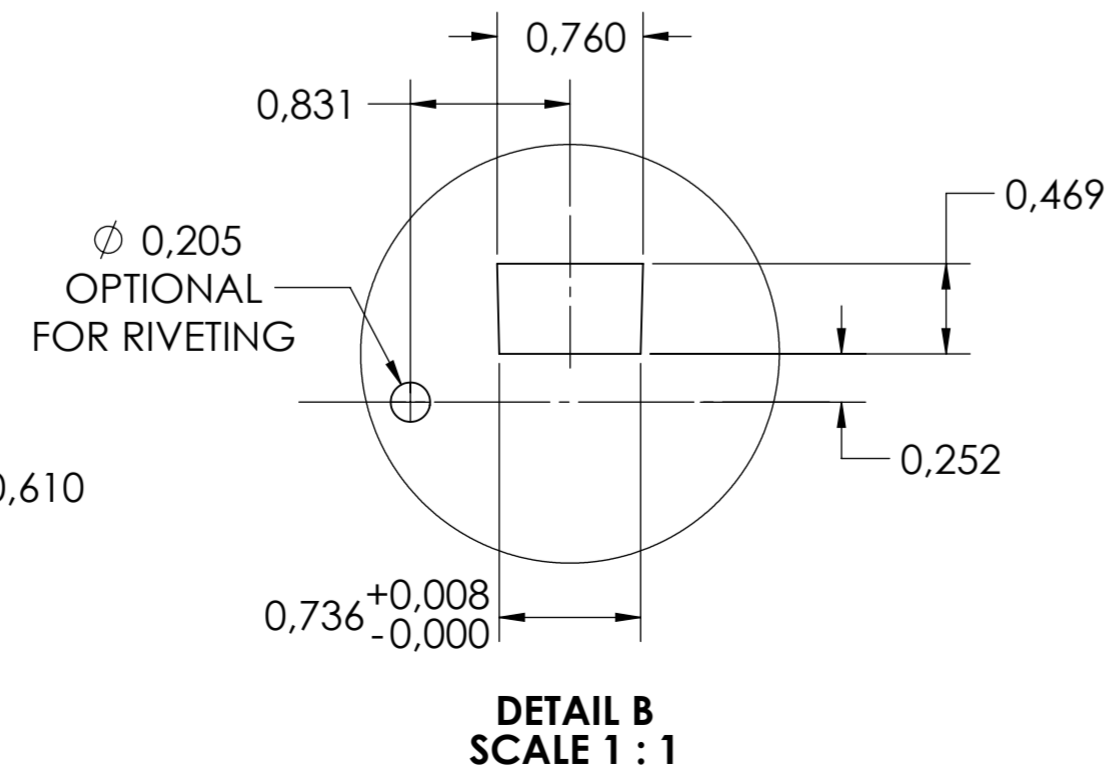
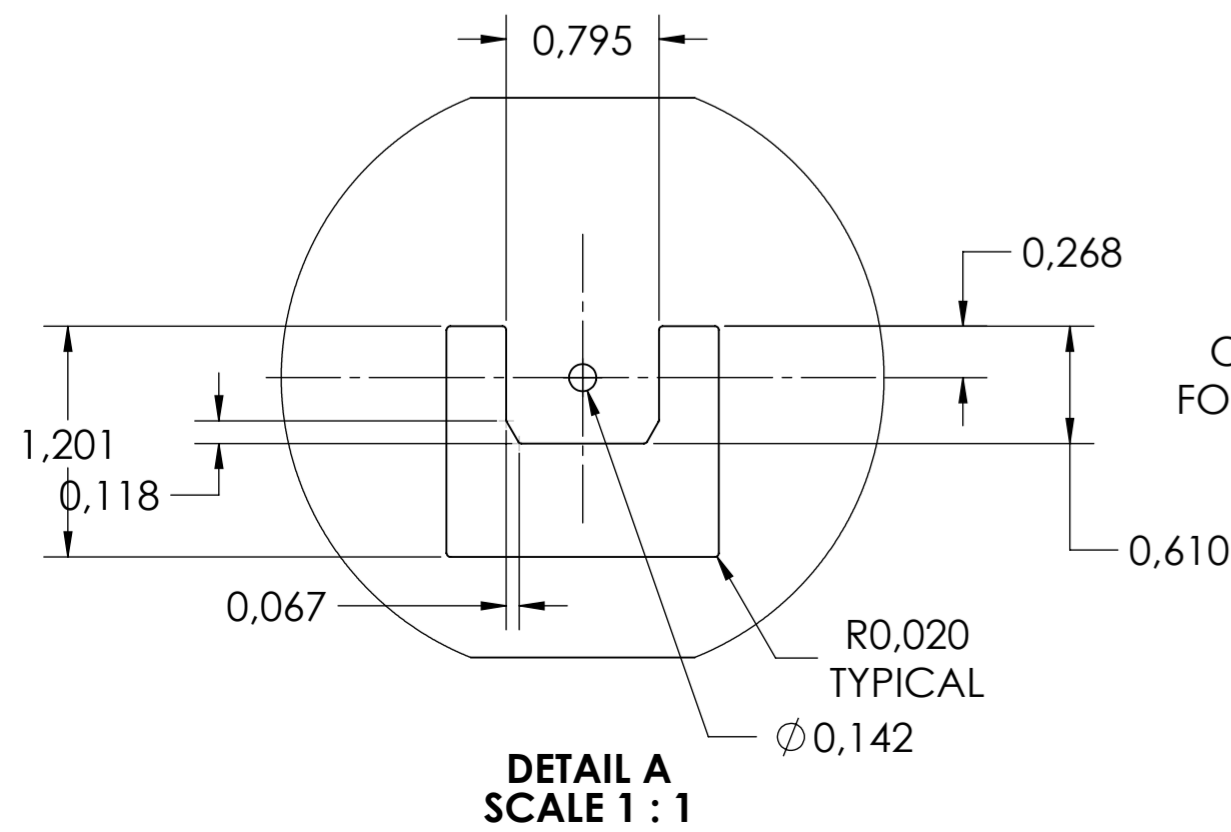
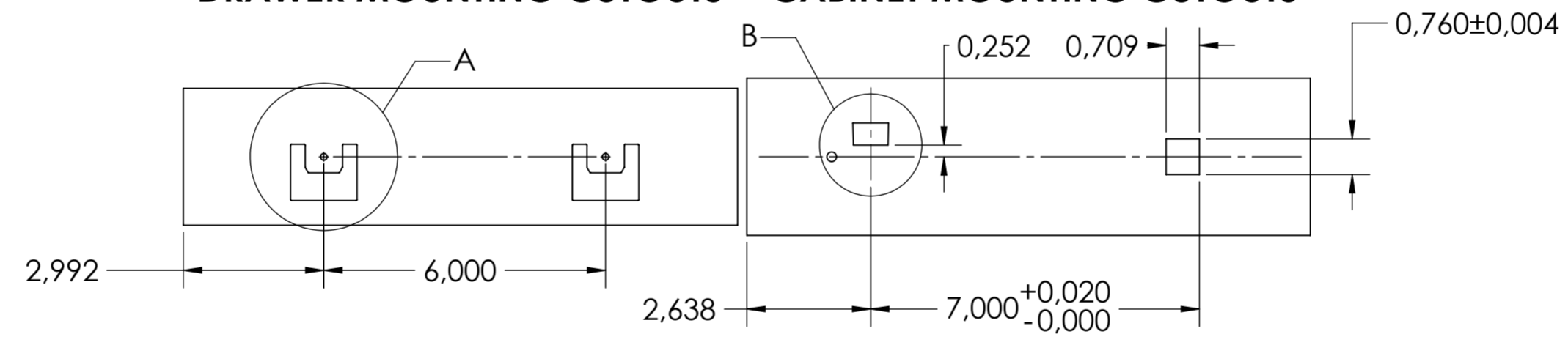
X



SCALE 1:1



**DRAWER MOUNTING CUTOUTS**    **CABINET MOUNTING CUTOUTS**



general tolerances		DIN ISO 128-30 missing dimensions see 3D = theor. intersection	
ISO 2768-m			
This drawing remains our property and may not be multiplied neither be disclosed to third parties (§§1,3 and 5 from the copyright Act (UrhG))			
covered according to DIN ISO 16016		scale:	surface:
		1:3	
(k)		date	name
(l)		drawn 31-05-2019	HB
(m)		proven 00-00-0000	00
(n)		<b>Fulterer</b>	
(o)			
(p)		material, semi finished parts: <b>STEEL</b>	
(q)		(technical requirements Fulterer)	
(r)		description:	
(s)		SIDE MOUNT FULL EXTENSION	
(t)		HD SMT SLIDE FOR 1.9mm THICK	
(u)		MATERIAL NON-DISCONNECT	
(v)		drawing number:	
(w)		<b>5400.12-GA.T115</b>	
(x)		replaces version date:	
(y)			
(z)			
ind.	changes	date	na.