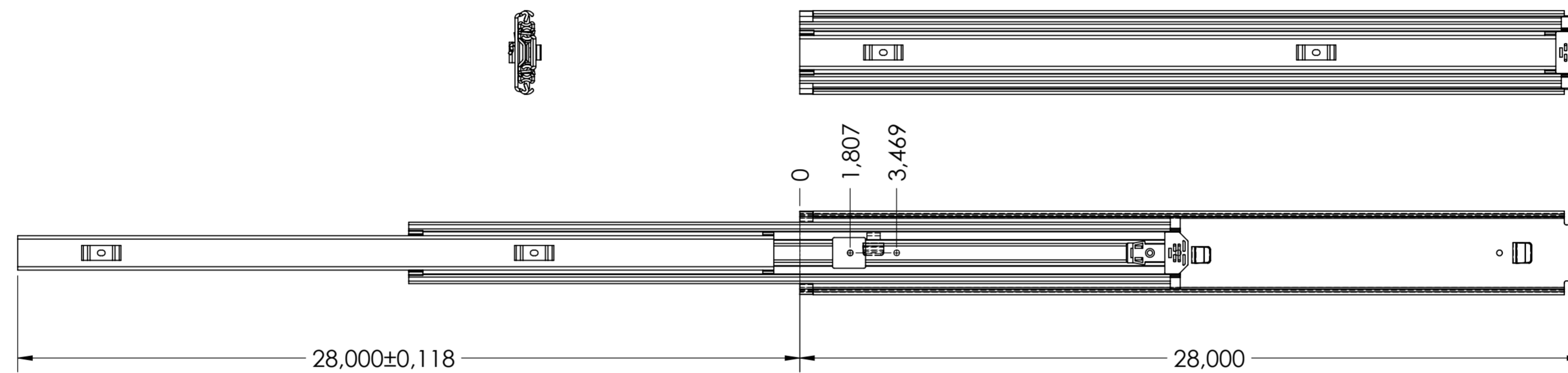
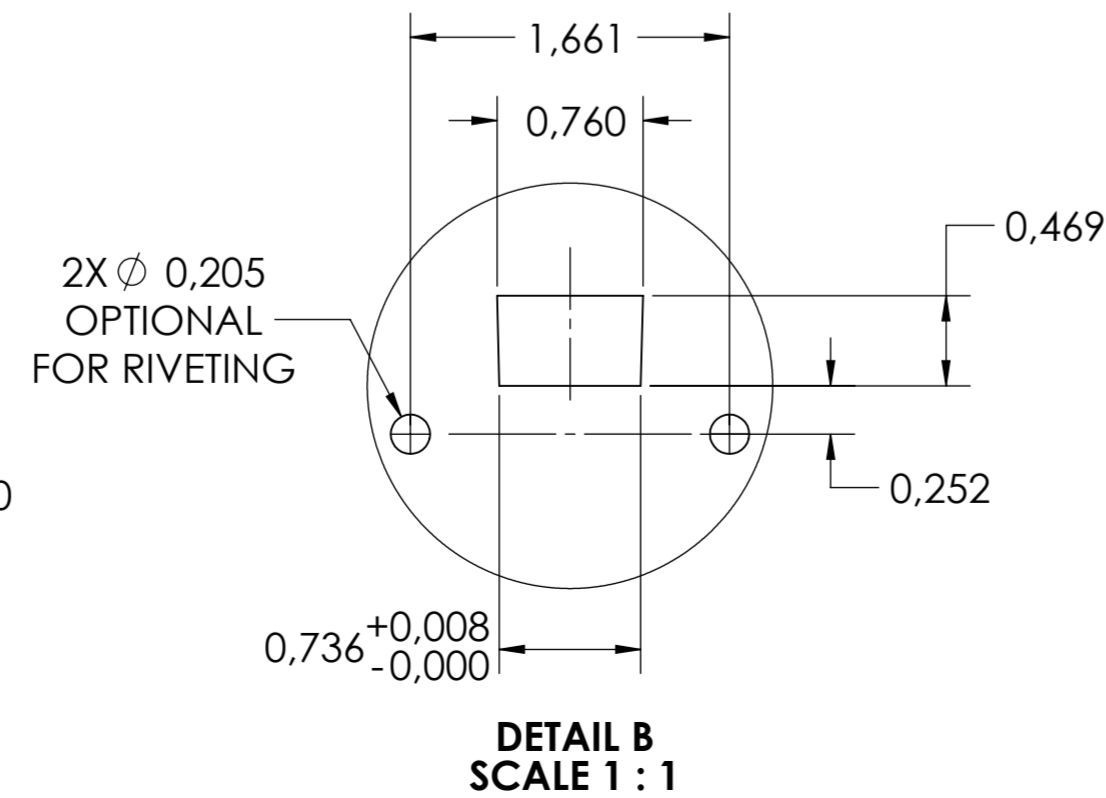
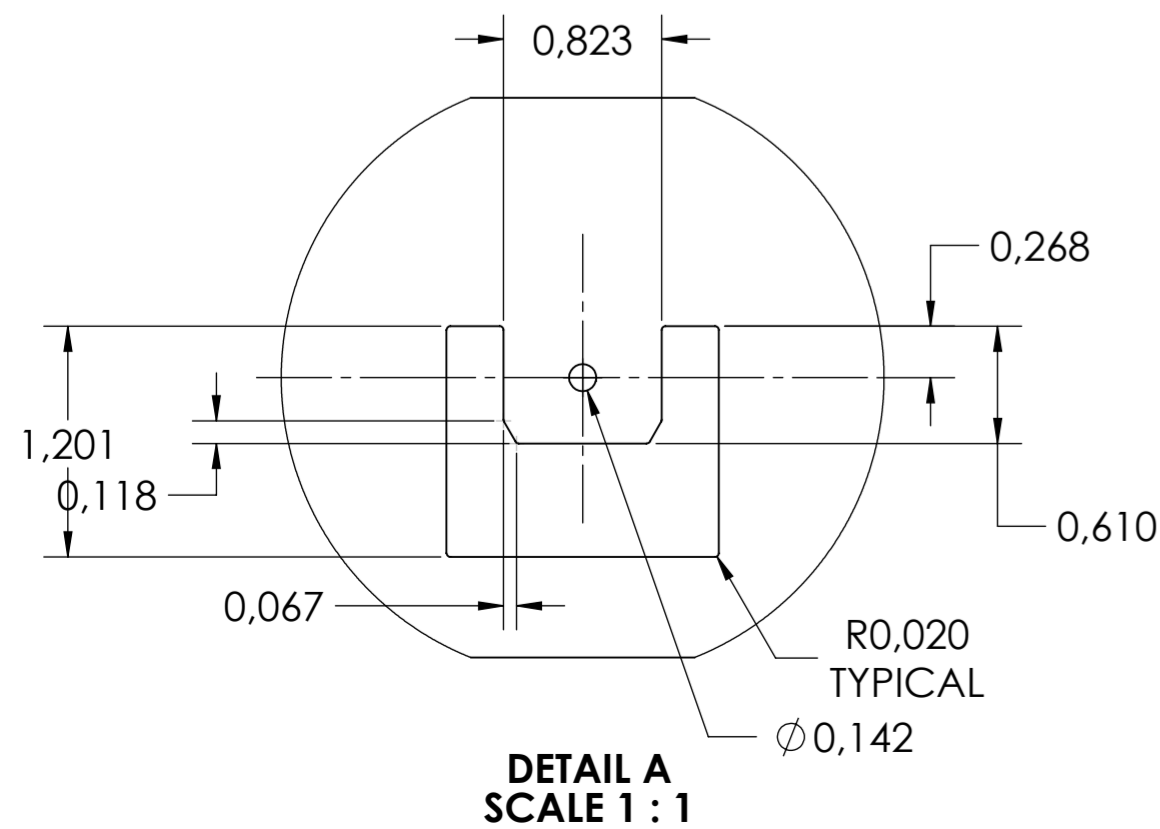
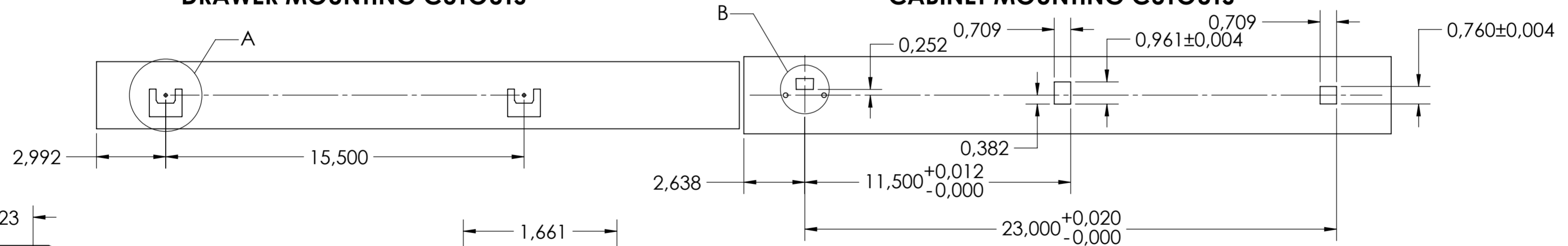


SCALE 1:1



DRAWER MOUNTING CUTOUTS

CABINET MOUNTING CUTOUTS



2X Ø 0,205
OPTIONAL
FOR RIVETING

general tolerances		DIN ISO 128-30 missing dimensions see 3D = theor. intersection	
ISO 2768-m			
This drawing remains our property and may not be multiplied neither be disclosed to third parties (§§1,3 and 5 from the copyright Act (UrhG)) covered according to DIN ISO 16016			
scale: 1:4		surface: A2	
date: 30-07-2019		name: HB	
drawn: 00-00-0000		proven: 00	
description:		material, semi finished parts: STEEL (technical requirements Fulterer)	
description:		description: SIDE MOUNT FULL EXTENSION HD SMT SLIDE FOR 1.5mm THICK MATERIAL NON-DISCONNECT	
drawing number:		drawing number: 5400.28-GA.T114	
replaces version date:		replaces version date:	
ind.	changes	date	na.