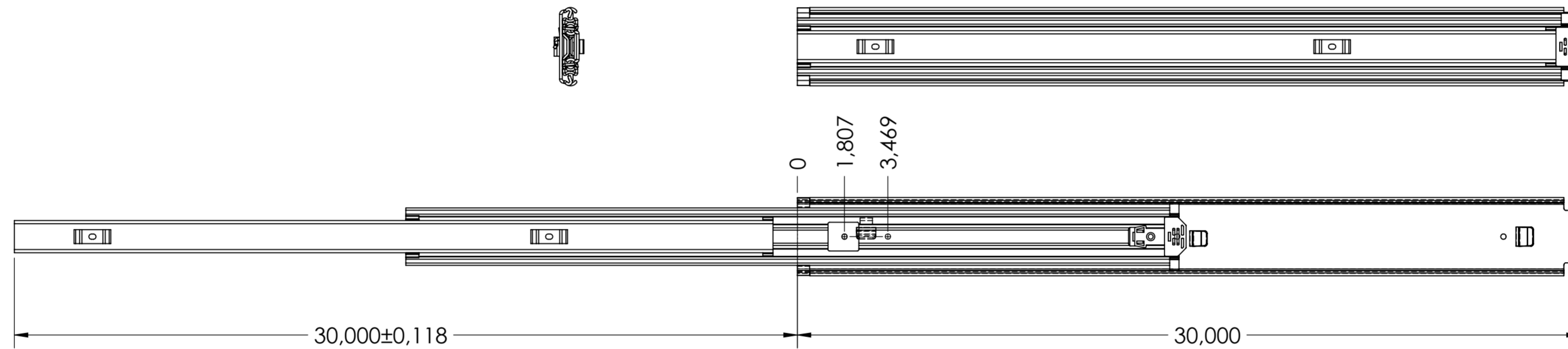
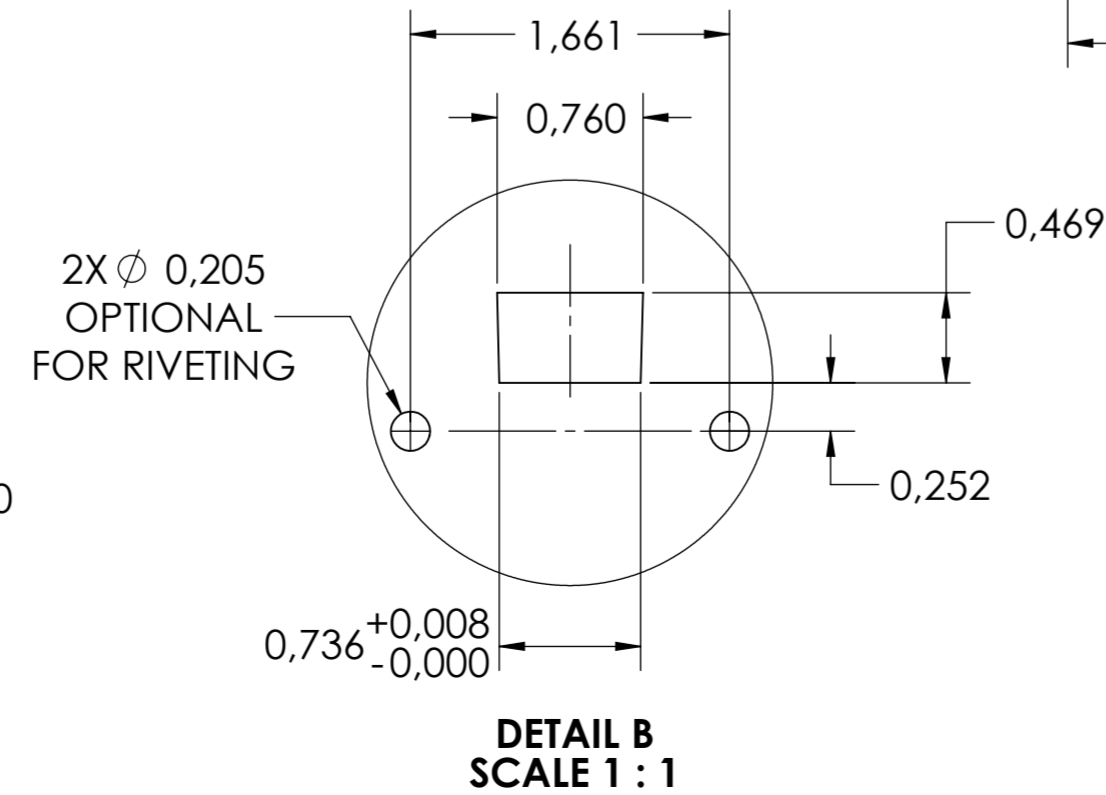
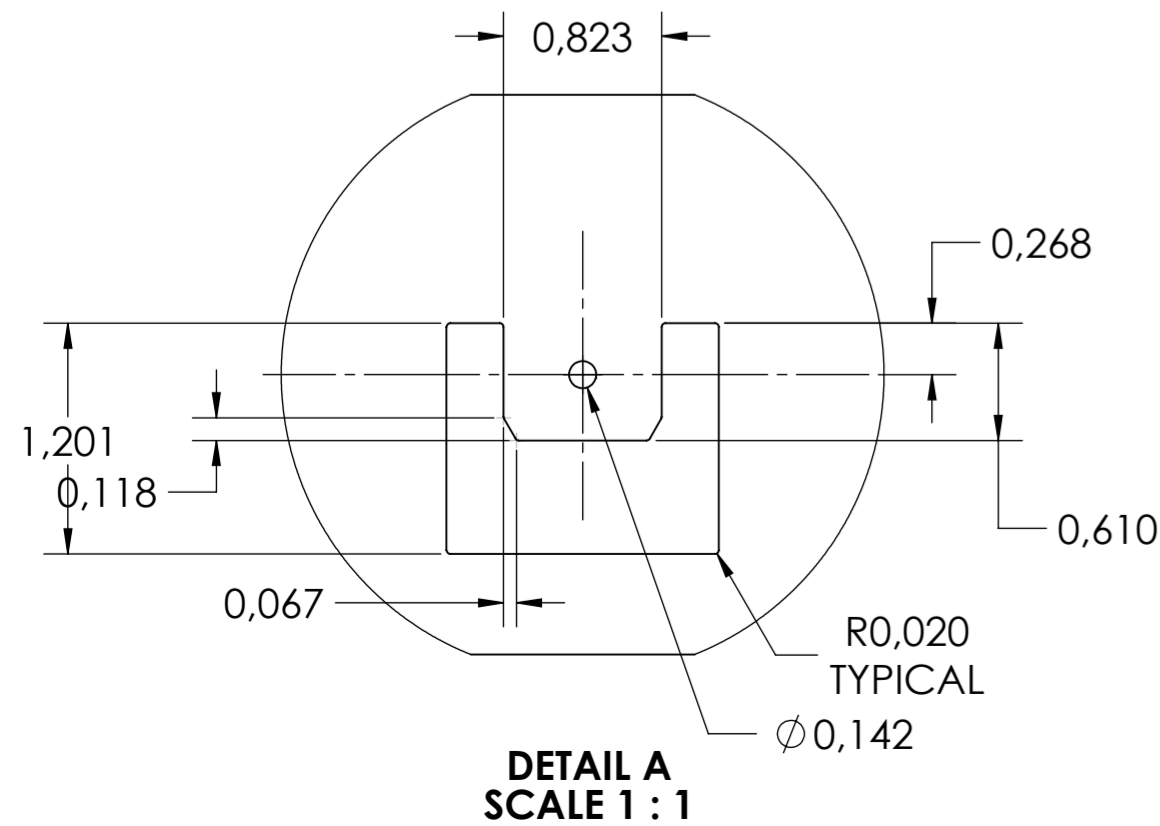
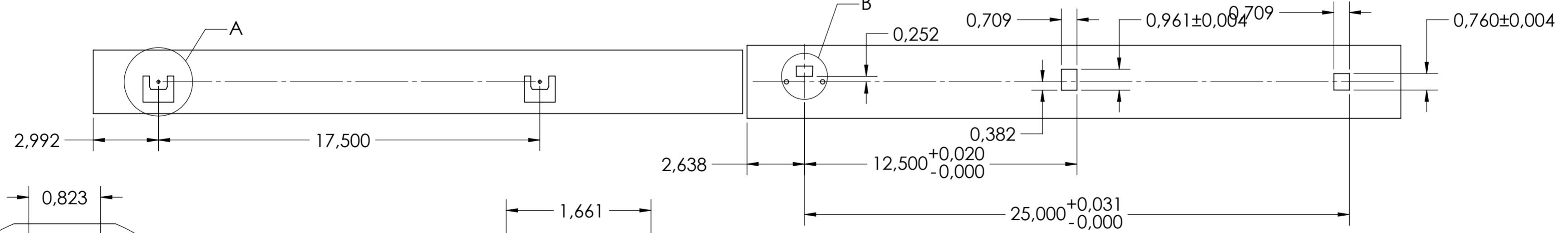



SCALE 1:1



**DRAWER MOUNTING CUTOUTS**

**CABINET MOUNTING CUTOUTS**



general tolerances			DIN ISO 128-30 missing dimensions see 3D = theor. intersection	
ISO 2768-m				
This drawing remains our property and may not be multiplied neither be disclosed to third parties (§§1,3 and 5 from the copyright Act (UrhG))				
covered according to DIN ISO 16016			scale: 1:4	surface: A2
(k)			date	name
(l)			drawn 30-07-2019	HB
(m)			proven 00-00-0000	00
(n)				
(o)				
(p)				
(q)				
(r)				
(s)			Fulterer AG & Co KG A-6890 Lustenau / Austria Fulterer AG CH-9430 St. Margrethen	
(t)			drawing number: <b>5400.30-GA.T114</b>	
(u)			replaces version date:	
(v)	0	00-00-0000	0	
ind.	changes	date	na.	