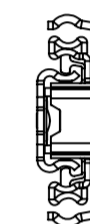
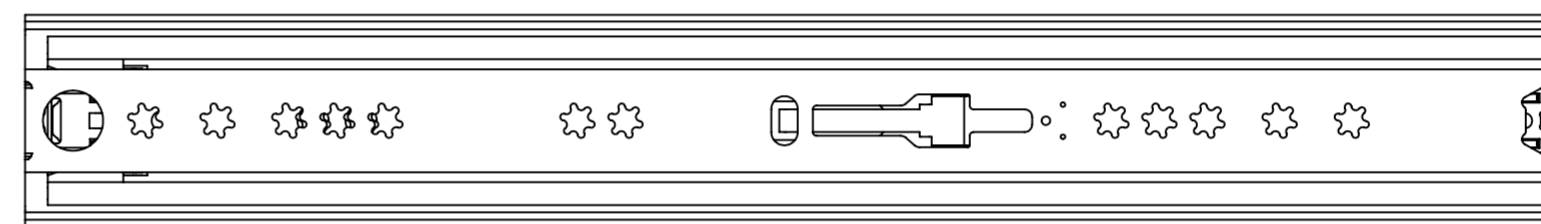
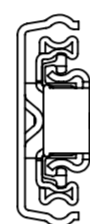
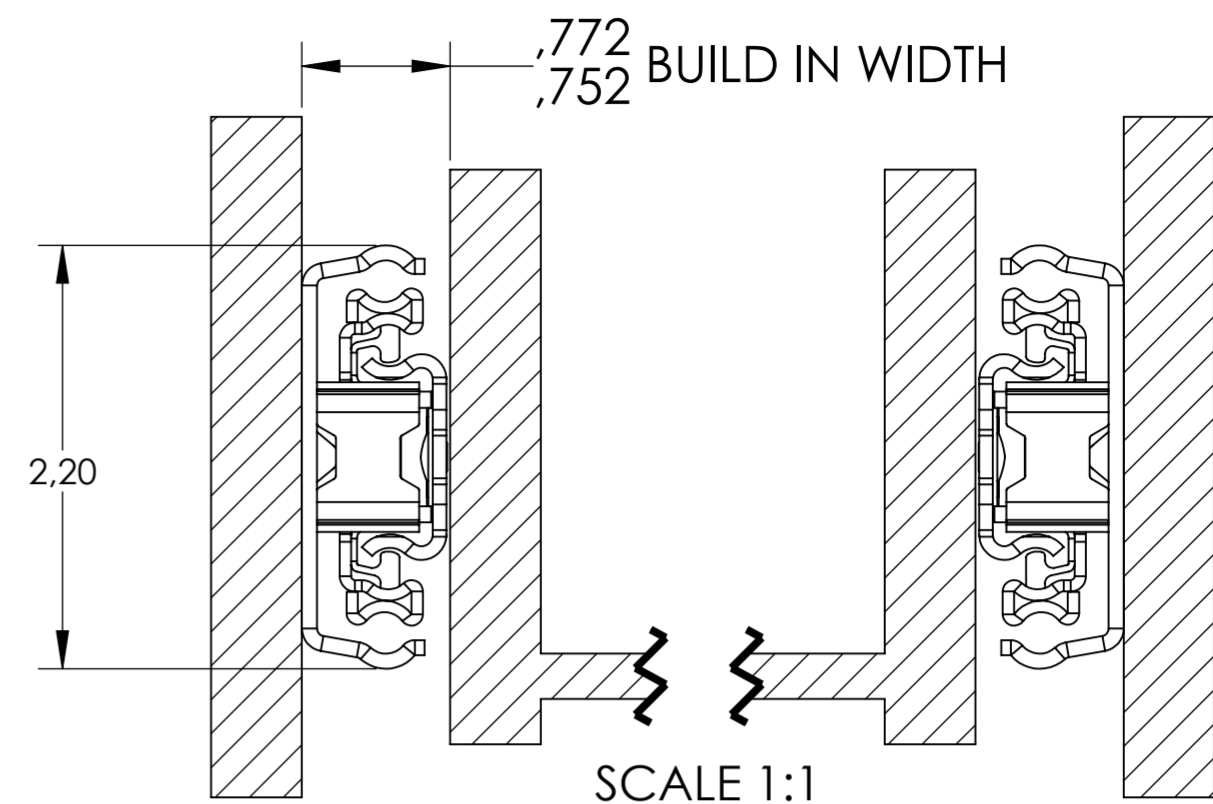
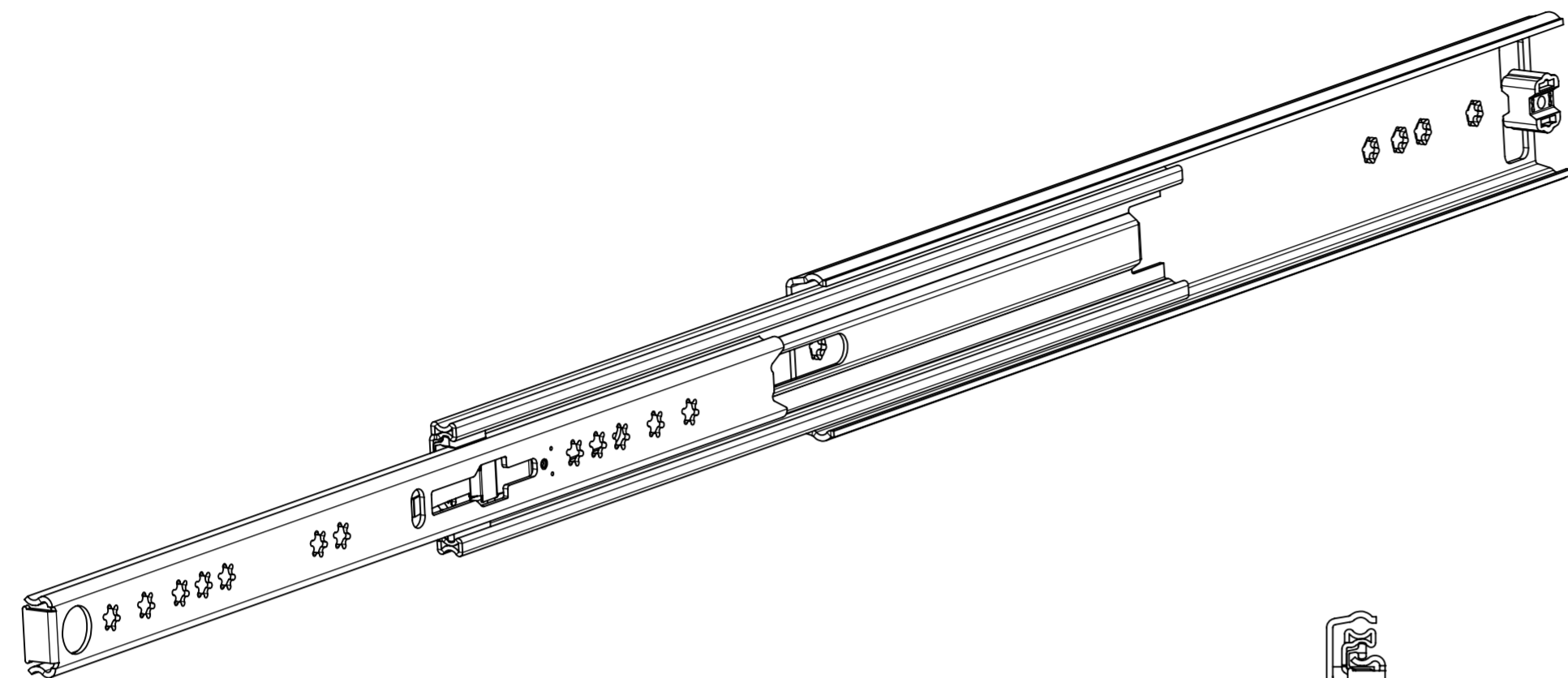
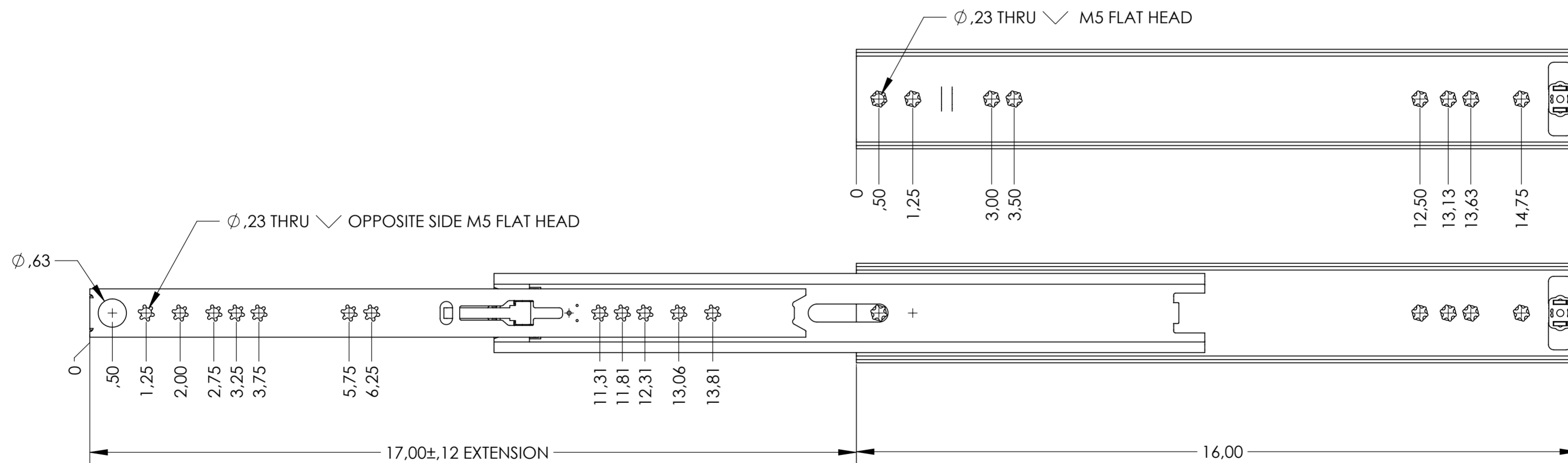


X



CABINET MOUNTING HOLES



RECOMMENDED HARDWARE:

CABINET- M5 FLAT HEAD SCREW #10 FLAT HEAD SCREW

DRAWER- M5 FLAT HEAD SCREW OR #10 FLAT HEAD SCREW

X

all dimensions in inch					
missing dimensions see 3D = theor. intersection	DIN ISO 128-30	scale: <b>1:2</b>	surface/color:	material: <b>STEEL</b>	(technical requirements Fullterer)
<b>prototype approval</b>		drawn	date	name	description: <b>OVER EXTENSION SIDE MOUNT (I) DRAWER SLIDE WITH DRAWER DISCONNECT</b>
		proven	2024-08-26	BM	
		 Fullterer AG & Co KG A-6890 Lustenau Fullterer AG CH-9430 St. Margrethen			drawing number: <b>5609.16-GA.T056</b>
					replaces the edition:
PDM ind. changes		2024-08-26	BM		
		date	name		
This drawing remains our property and may not be multiplied neither be disclosed to third parties (§§1.3 and 5 from the copyright Act (UrH.G)). covered according to DIN ISO 16016					