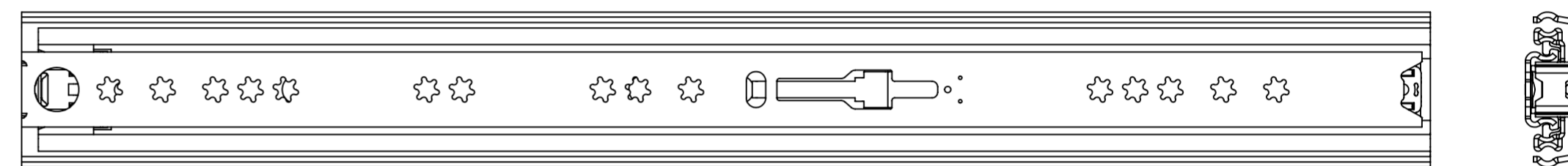
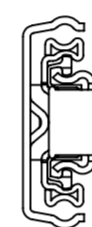
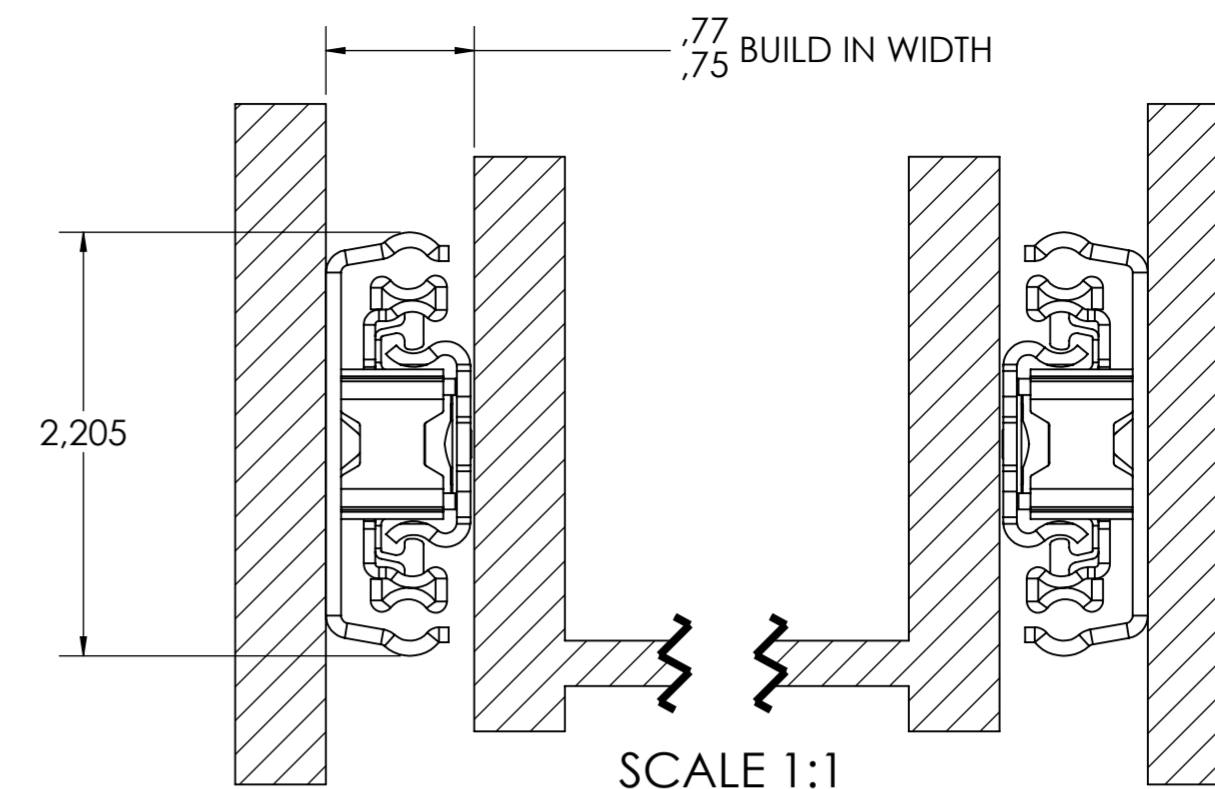
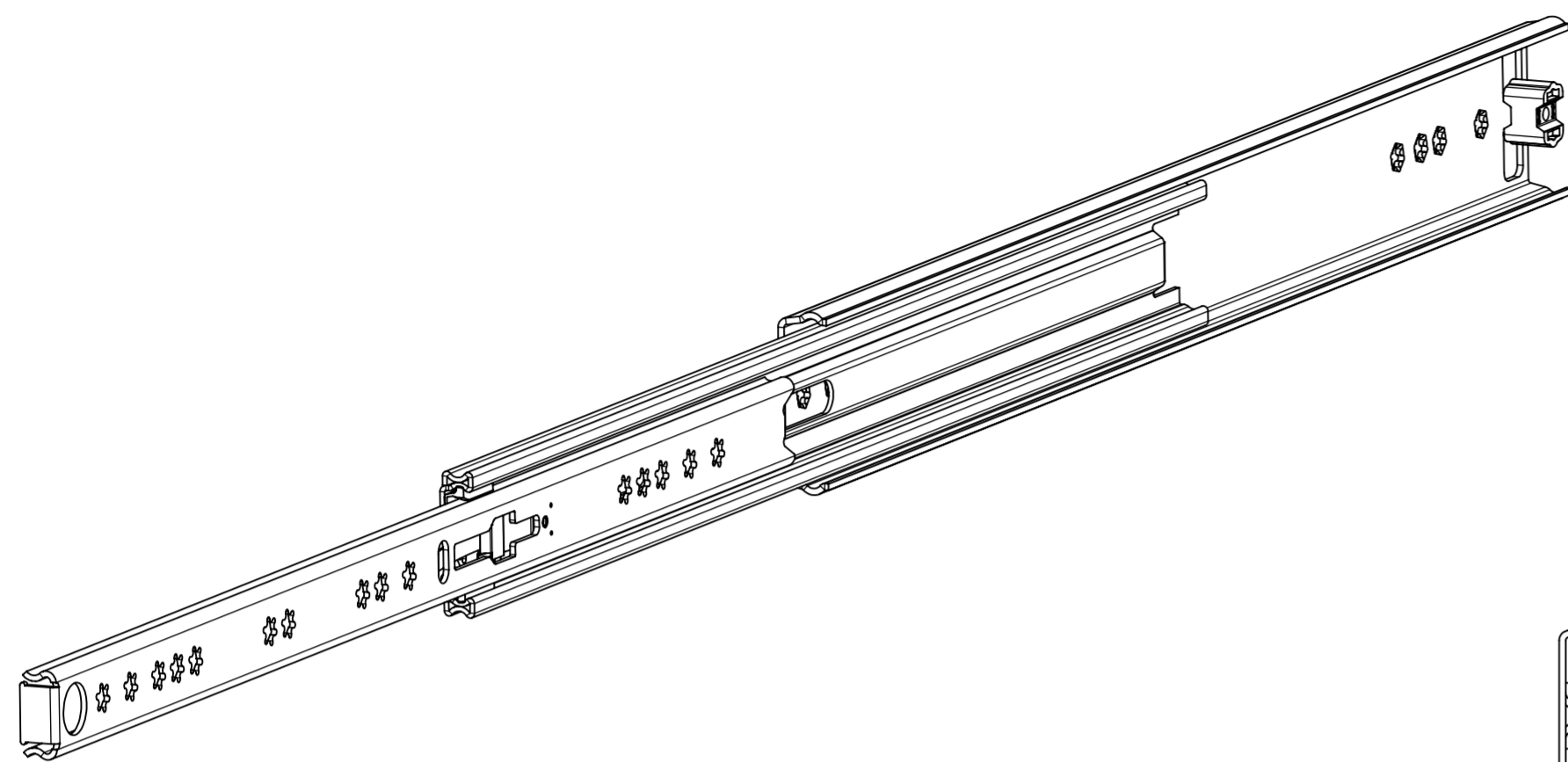
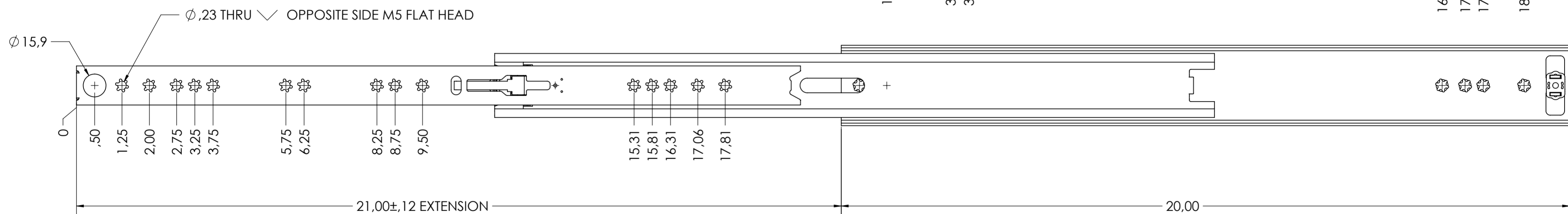
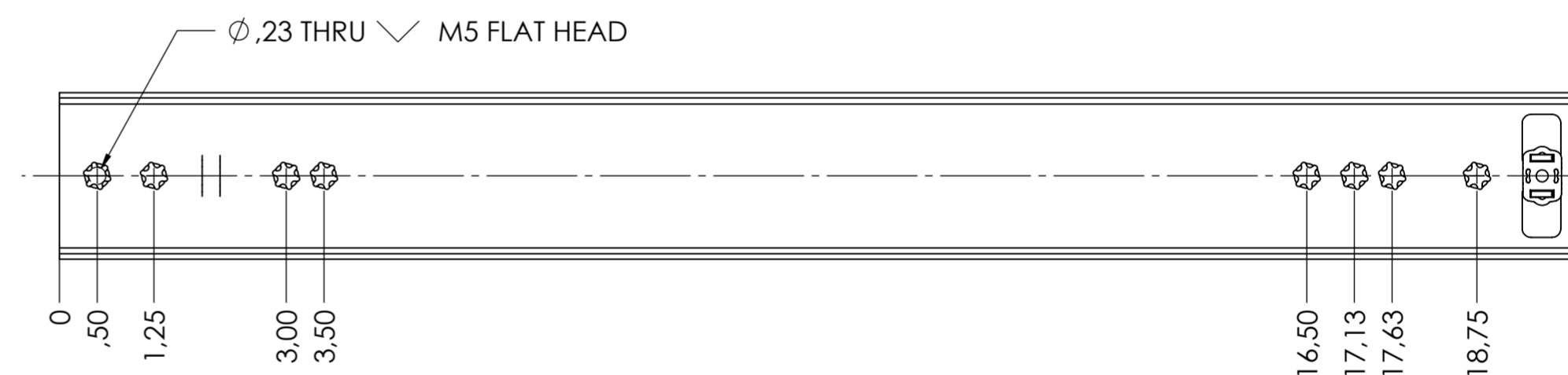


X



CABINET MOUNTING HOLES



RECOMMENDED HARDWARE:

CABINET- M5 FLAT HEAD SCREW #10 FLAT HEAD SCREW

DRAWER- M5 FLAT HEAD SCREW OR #10 FLAT HEAD SCREW

X

all dimensions in inch					
missing dimensions see 3D = theor. intersection		scale: 1:2	surface/color:	material: STEEL	(technical requirements Fullterer)
prototype approval		drawn	date	name	description: OVER EXTENSION SIDE MOUNT (I) DRAWER SLIDE WITH DRAWER DISCONNECT
		proven	2024-08-22	FM	
				drawing number: 5609.20-GA.T056	
				Fullterer AG & Co KG A-6890 Lustenau	
① PDM	2024-08-26	BM	Fullterer AG		
ind. changes	date	name	CH-9430 St. Margrethen		
This drawing remains our property and may not be multiplied neither be disclosed to third parties (§§1.3 and 5 from the copyright Act (UrHG)).					covered according to DIN ISO 16016