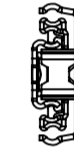
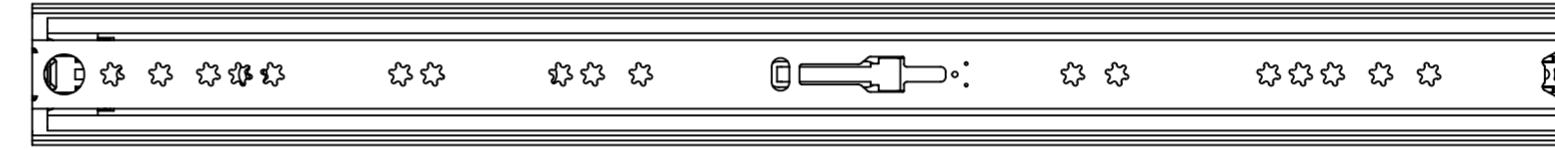
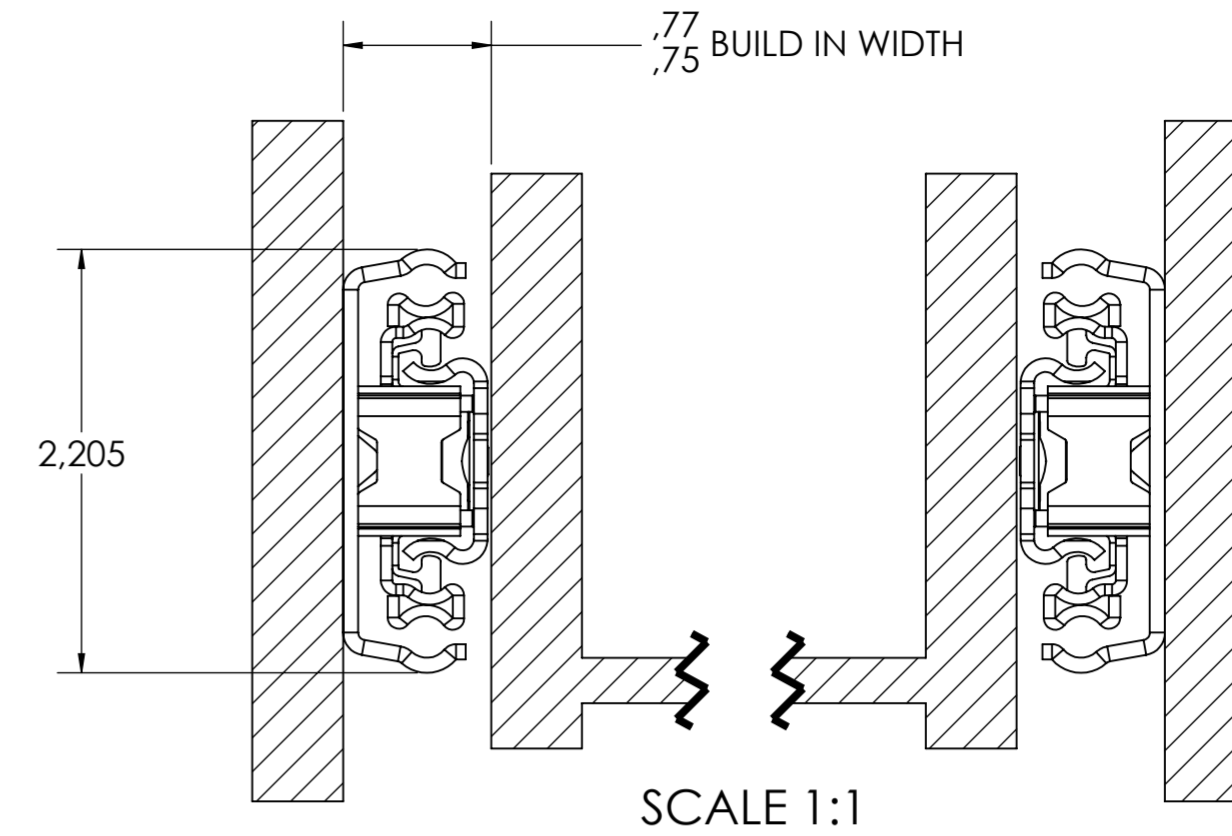
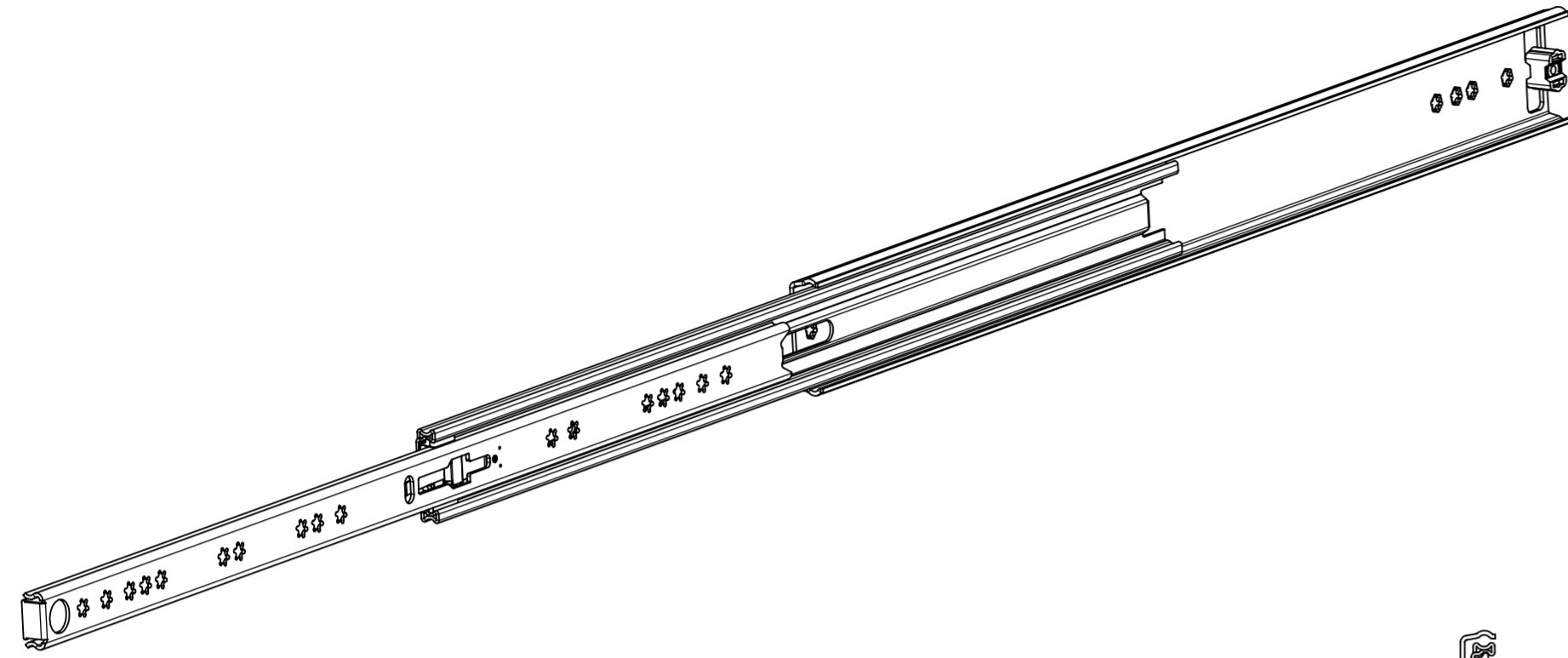
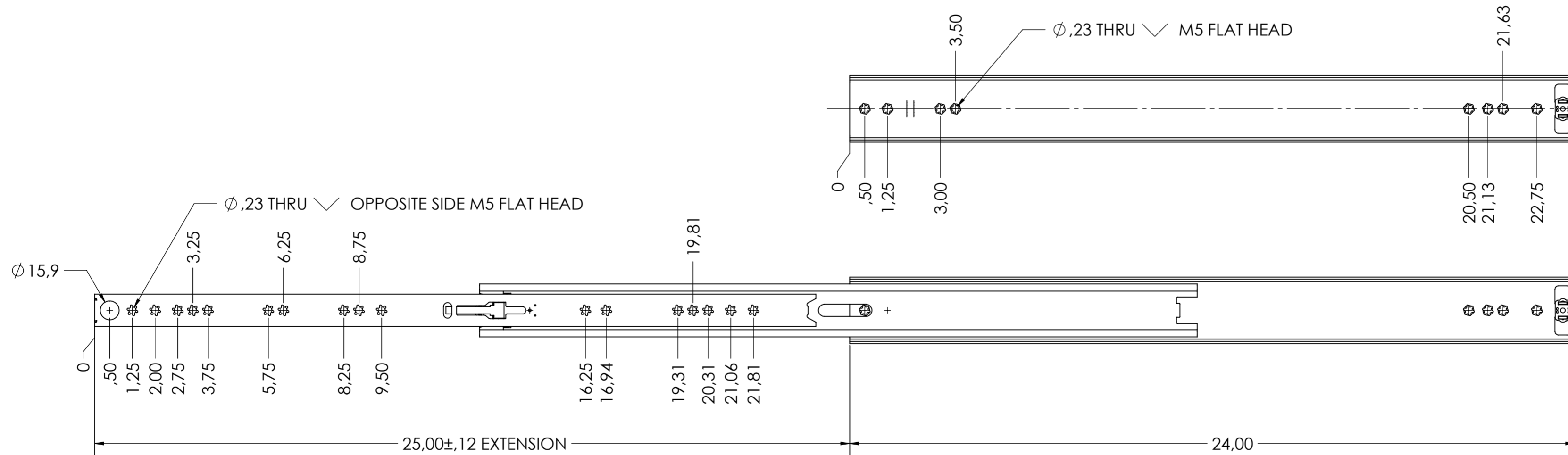


X



CABINET MOUNTING HOLES



RECOMMENDED HARDWARE:

CABINET- M5 FLAT HEAD SCREW #10 FLAT HEAD SCREW

DRAWER- M5 FLAT HEAD SCREW OR #10 FLAT HEAD SCREW

X

all dimensions in inch					
missing dimensions see 3D = theor. intersection		scale: <b>1:3</b>	surface/color:	material: <b>STEEL</b>	(technical requirements Fullterer)
<b>prototype approval</b>			drawn	date	name
			proven	date	name
 Fullterer AG & Co KG A-6890 Lustenau Fullterer AG CH-9430 St. Margrethen			description: <b>OVER EXTENSION SIDE MOUNT (I) DRAWER SLIDE WITH DRAWER DISCONNECT</b>		
			drawing number: <b>5609.24-GA.T056</b>		
<input type="radio"/> PDM <input type="radio"/> ind. changes	2024-08-26 date	BM name	replaces the edition:		
<small>This drawing remains our property and may not be multiplied neither be disclosed to third parties (§§1.3 and 5 from the copyright Act (UrH.G)).</small>					<small>covered according to DIN ISO 16016</small>