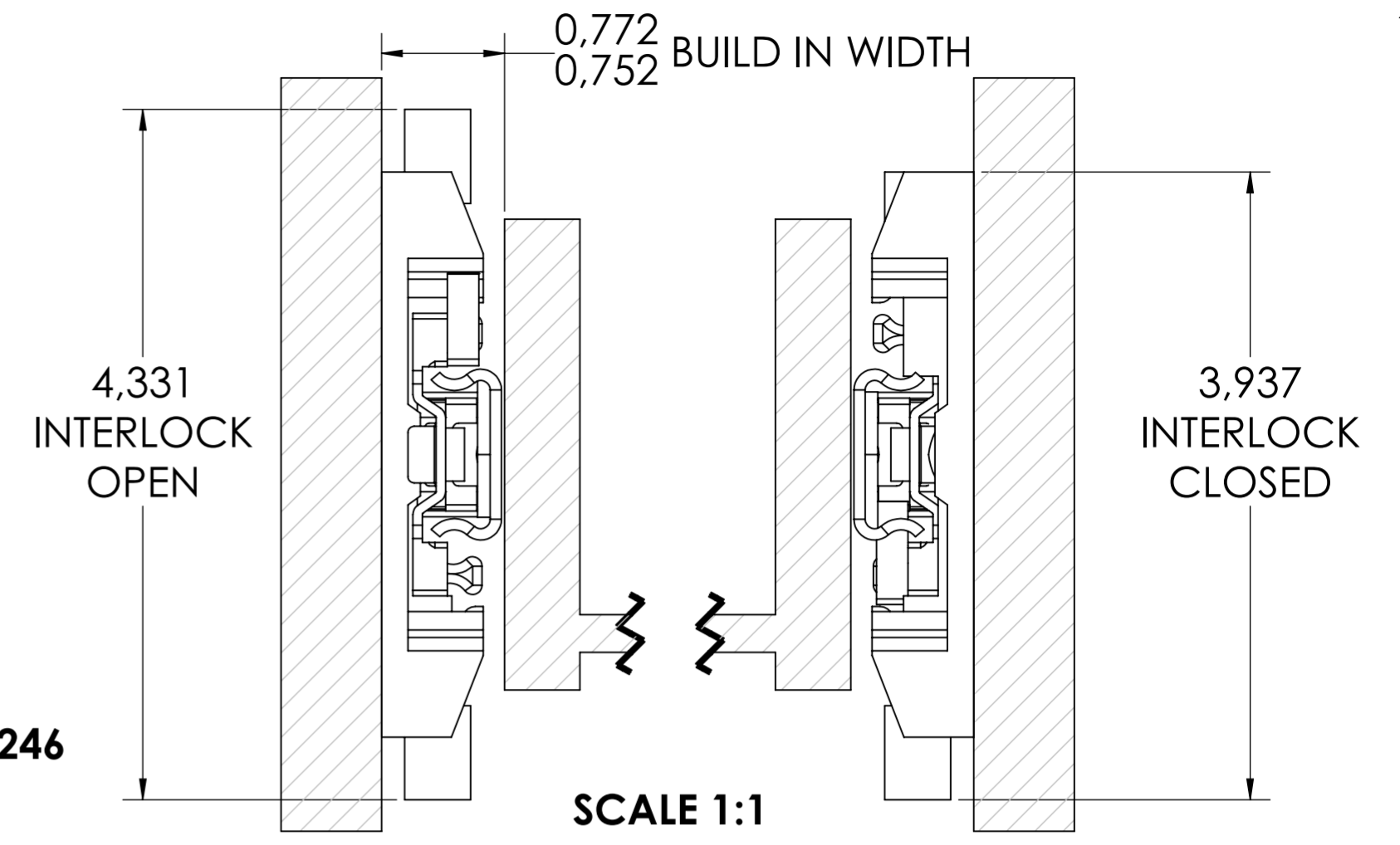


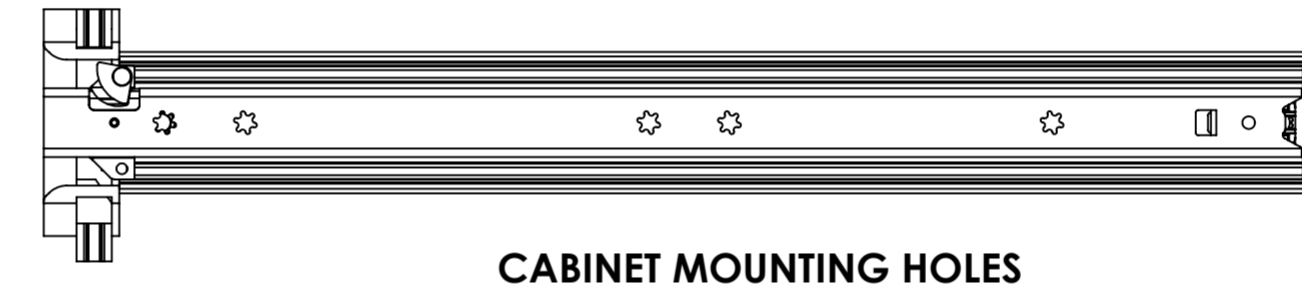
ROD LENGTH $L^{+0}_{-0.2} = A - 70$
 \varnothing 5mm ROD
FULTERER PART NUMBER 400246



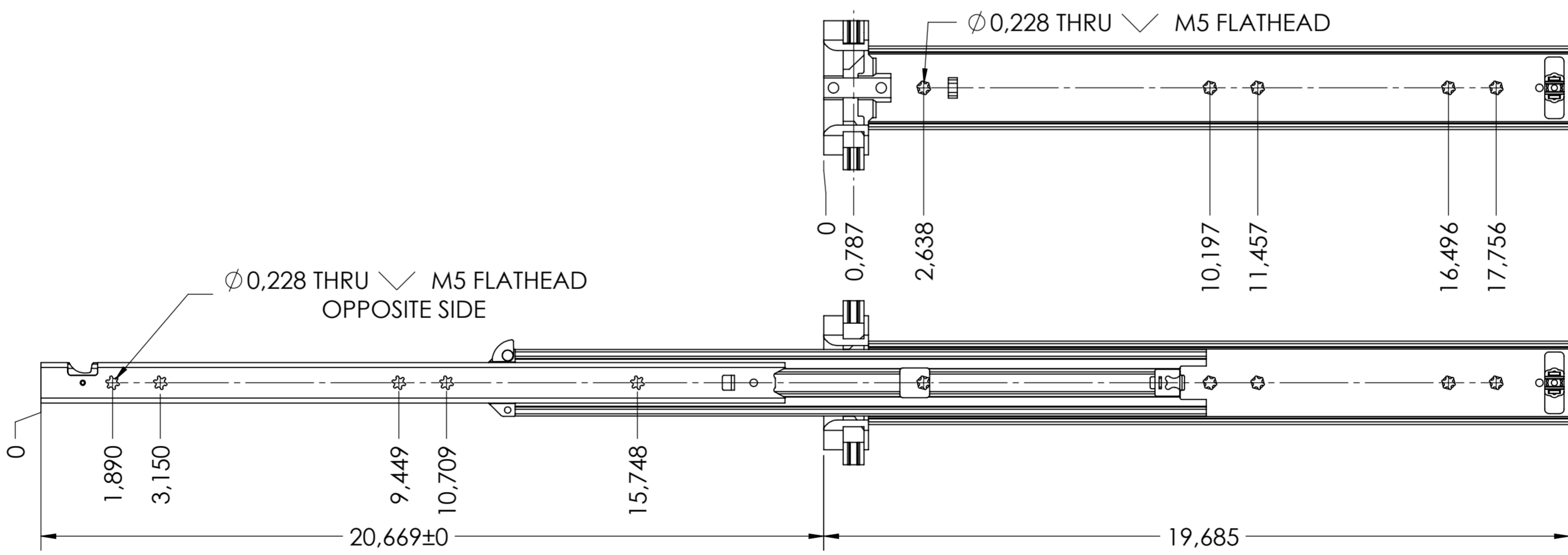
SCALE 1:4

NOTE: 450mm LENGTH SHOWN

RECOMMENDED MINIMUM DISTANCE BETWEEN SLIDES "A" = 110mm



CABINET MOUNTING HOLES



RECOMMENDED HARDWARE:

CABINET- M5 FLAT HEAD SCREW

DRAWER- M5 FLAT HEAD SCREW

INTERLOCK \varnothing 5mm ROD **FULTERER PART NUMBER 400246**

general tolerances		DIN ISO 128-30 missing dimensions see 3D = theor. intersection	
ISO 2768-m			
This drawing remains our property and may not be multiplied neither be disclosed to third parties (§§1,3 and 5 from the copyright Act (UrhG)) covered according to DIN ISO 16016			
(k)	scale:	1:3	surface:
(l)	date:	26-02-2019	name:
(m)	drawn:	HB	
(n)	proven:	00-00-0000	00
(o)	Fulterer		material, semi finished parts:
(p)			STEEL (technical requirements Fulterer)
(q)	Fulterer AG & Co KG A-6890 Lustenau / Austria		description:
(r)	Fulterer AG CH-9430 St. Margrethen		SIDE MOUNT OVER EXTENSION INTERLOCKING DRAWER SLIDE NON-DISCONNECT
(s)	drawing number:		
(t)	5619.500-GA.T038		
(u)	replaces version date:		
(v)	ind. changes	date	na.