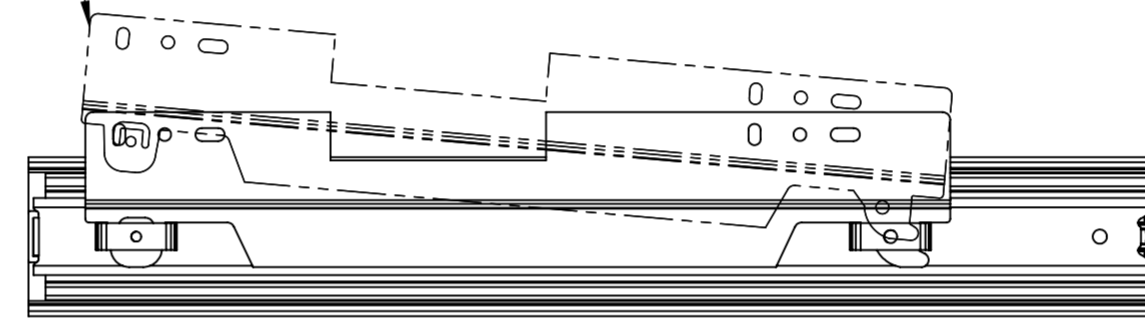
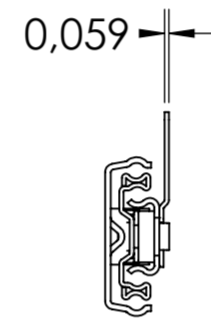
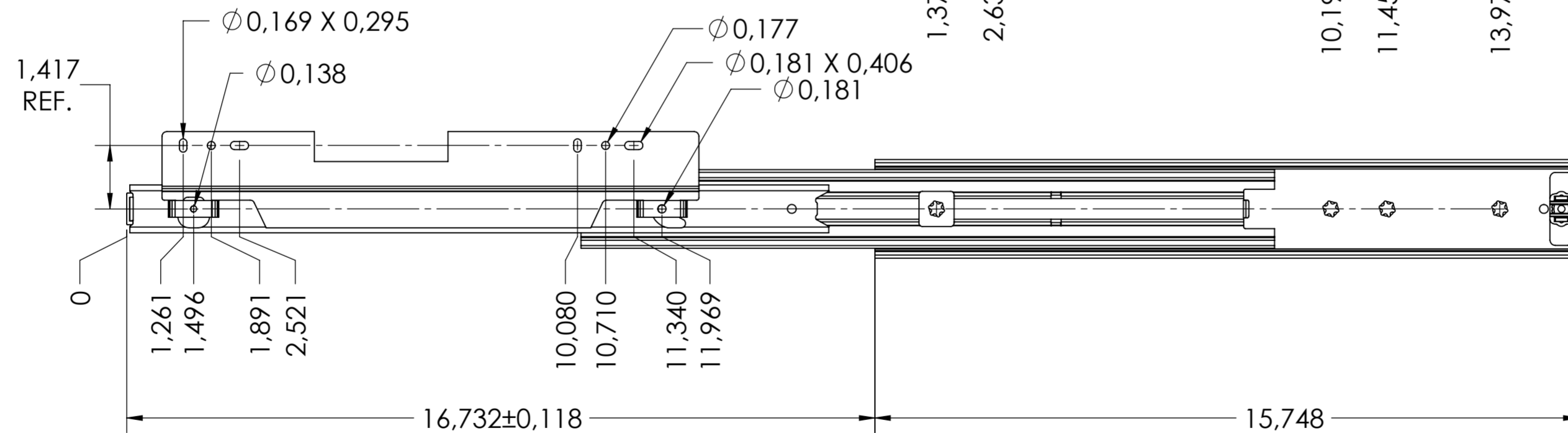
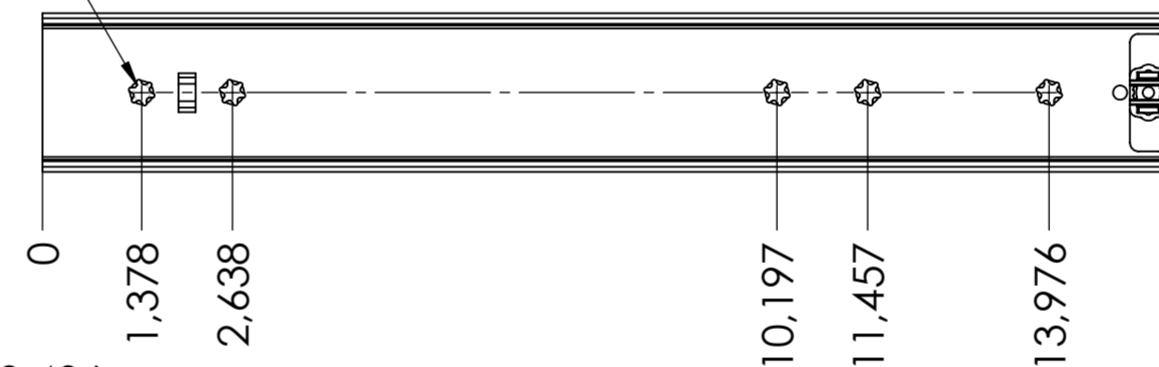


DISCONNECT RAIL



CABINET MOUNTING HOLES

∅0,228 THRU
M4 FLAT HEAD



RECOMMENDED HARDWARE:

CABINET- M4 FLAT HEAD SCREW OR #10 FLAT HEAD SCREW

DRAWER- M4 BUTTON HEAD SCREW OR #8 BUTTON HEAD SCREW

general tolerances		DIN ISO 128-30 missing dimensions see 3D = theor. intersection	
ISO 2768-m			
This drawing remains our property and may not be multiplied neither be disclosed to third parties (§§1,3 and 5 from the copyright Act (UrhG)) covered according to DIN ISO 16016			
scale:	3:8	surface:	A2
	date		name
drawn	27-09-2019	HB	
proven	00-00-0000	00	
		description:	
		SIDE MOUNT OVER EXTENSION SLIDE WITH DRAWER DISCONNECT RAIL	
drawing number:		5623.400-GA.T040	
replaces version date:			
ind.	changes	date	na.