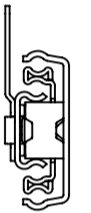
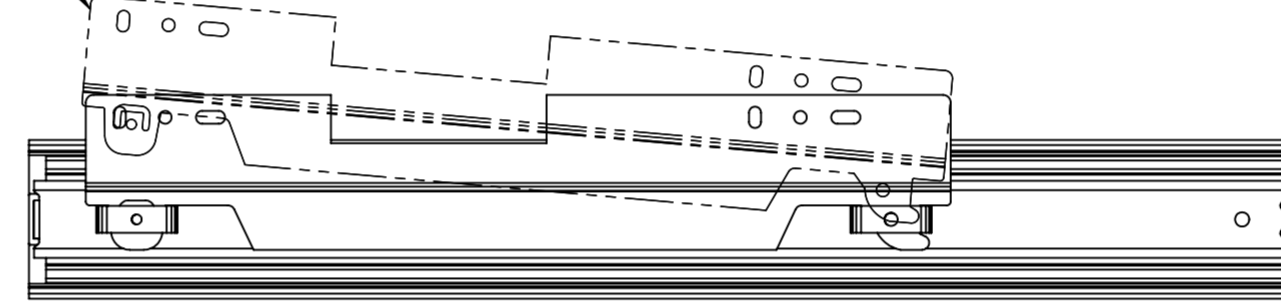
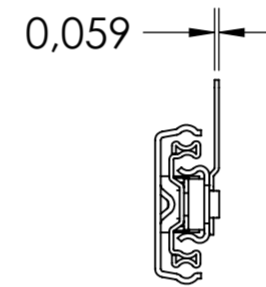


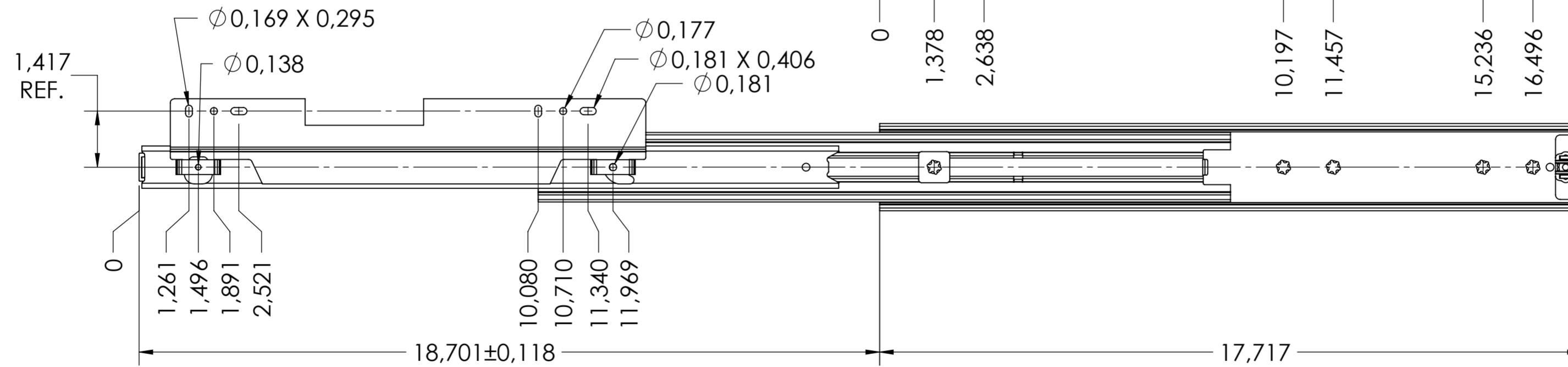
SCALE 1:1

DISCONNECT RAIL



## CABINET MOUNTING HOLES

∅0,228 THRU  
M4 FLAT HEAD



### RECOMMENDED HARDWARE:

CABINET- M4 FLAT HEAD SCREW OR #10 FLAT HEAD SCREW

DRAWER- M4 BUTTON HEAD SCREW OR #8 BUTTON HEAD SCREW

general tolerances		DIN ISO 128-30 missing dimensions see 3D = theor. intersection	
ISO 2768-m			
This drawing remains our property and may not be multiplied neither be disclosed to third parties (§§1,3 and 5 from the copyright Act (UrhG)) covered according to DIN ISO 16016			
scale:		surface:	
3:8		STEEL	
date		name	
drawn 27-09-2019		HB	
proven 00-00-0000		00	
description:		material, semi finished parts:	
SIDE MOUNT OVER EXTENSION SLIDE WITH DRAWER DISCONNECT RAIL		STEEL (technical requirements Fulterer)	
drawing number:		drawing number:	
5623.450-GA.T040		5623.450-GA.T040	
replaces version date:		replaces version date:	
ind. changes		date na.	