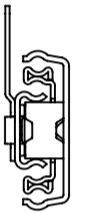
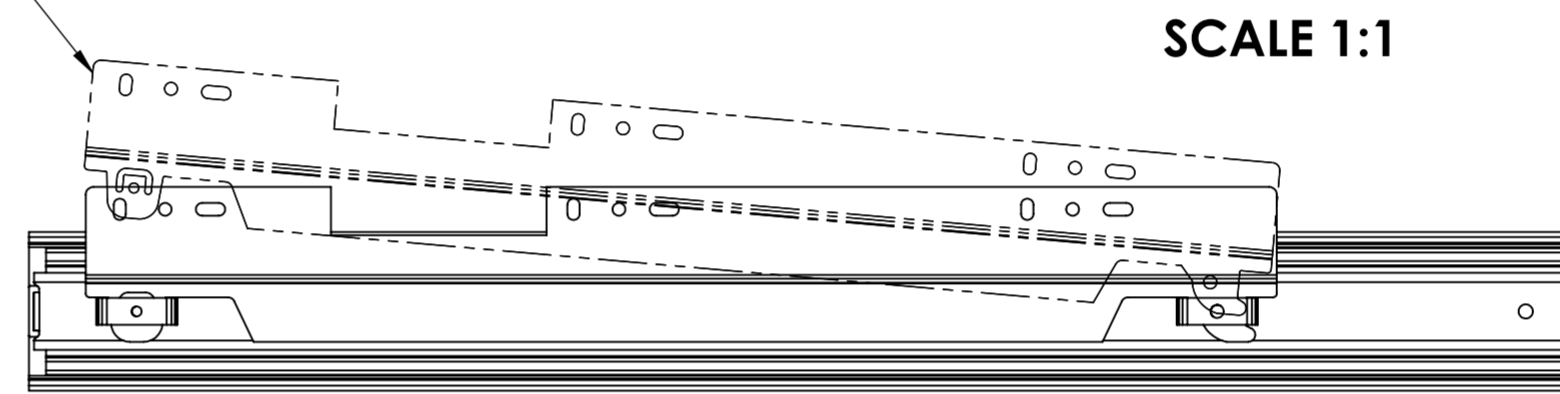
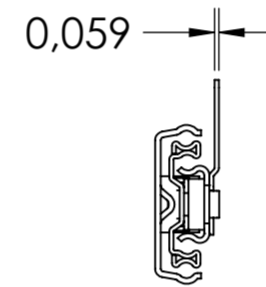
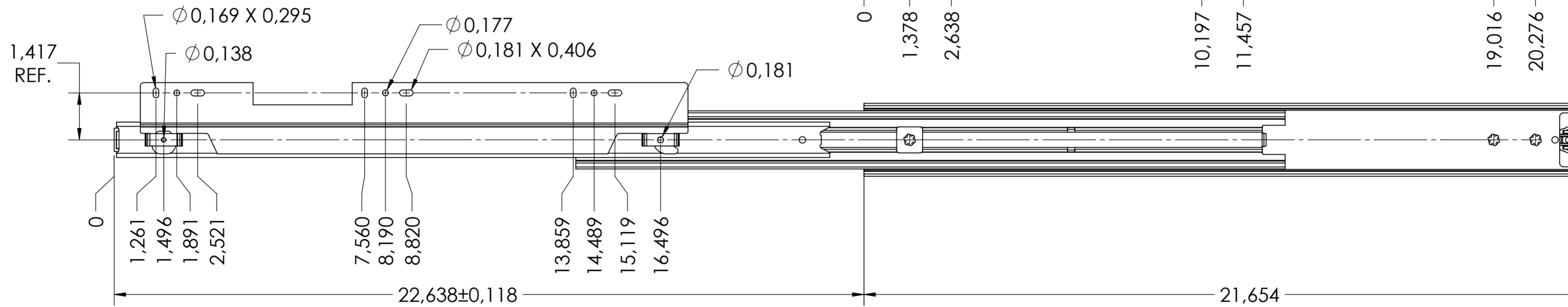


DISCONNECT RAIL



CABINET MOUNTING HOLES

∅0,228 THRU
M4 FLAT HEAD



RECOMMENDED HARDWARE:

CABINET- M4 FLAT HEAD SCREW OR #10 FLAT HEAD SCREW

DRAWER- M4 BUTTON HEAD SCREW OR #8 BUTTON HEAD SCREW

general tolerances		DIN ISO 128-30	
ISO 2768-m		missing dimensions see 3D	
		= theor. intersection	
This drawing remains our property and may not be multiplied neither be disclosed to third parties (§§1,3 and 5 from the copyright Act (UrhG))			
covered according to DIN ISO 16016		scale:	surface:
(k)		3:8	
(l)		date	name
(m)		drawn 27-09-2019	HB
(n)		proven 00-00-0000	00
(o)		Fulterer	
(p)			
(q)		Fulterer AG & Co KG	
(r)		A-6890 Lustenau / Austria	
(s)		Fulterer AG	
(t)		CH-9430 St. Margrethen	
(u)		drawing number:	
(v)		5623.550-GA.T040	
(w)		replaces version date:	
(x)			
(y)			
(z)			
ind.	changes	date	na.