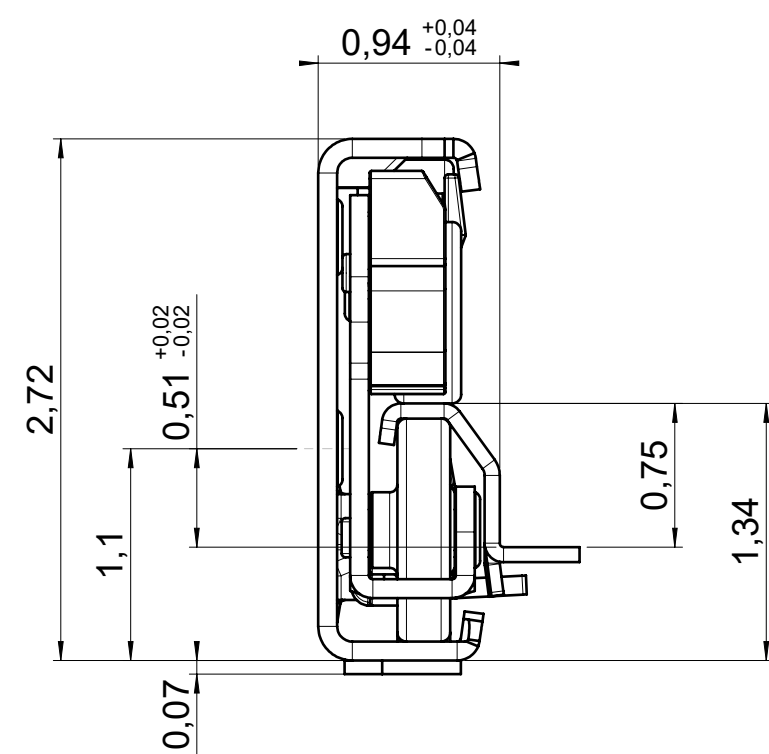
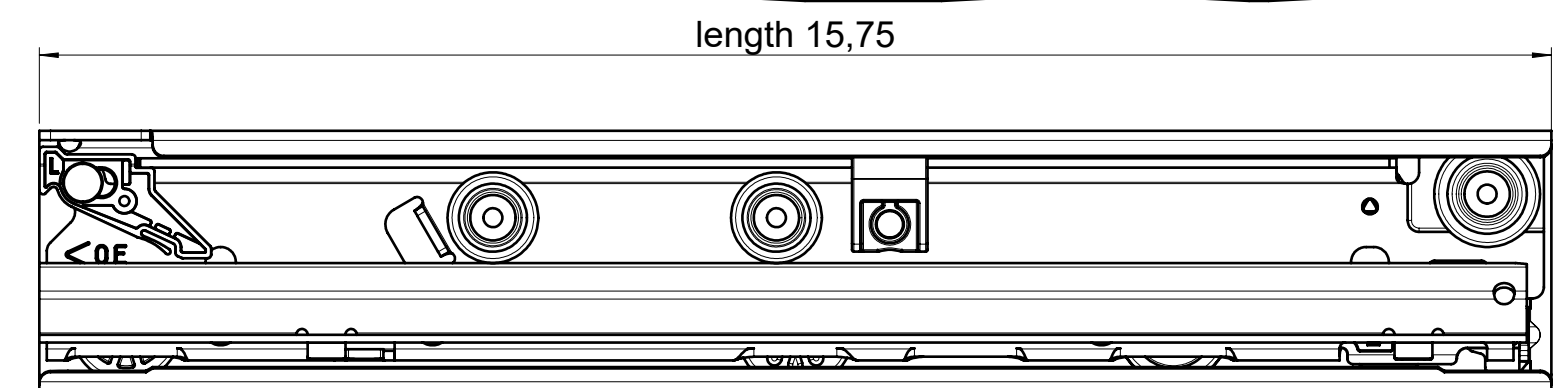
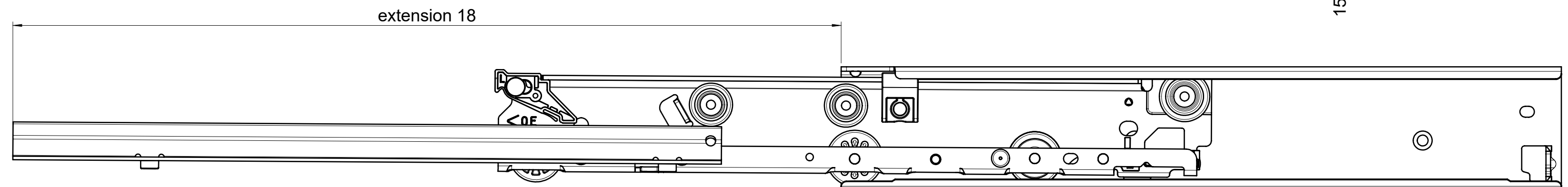
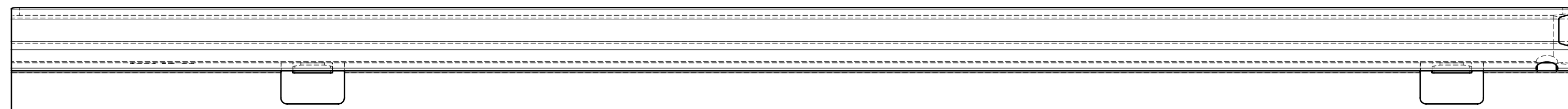
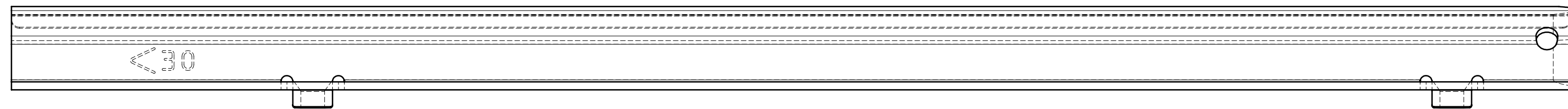
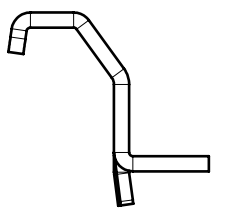
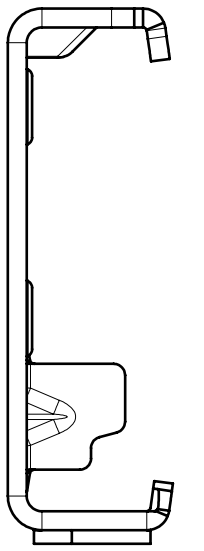
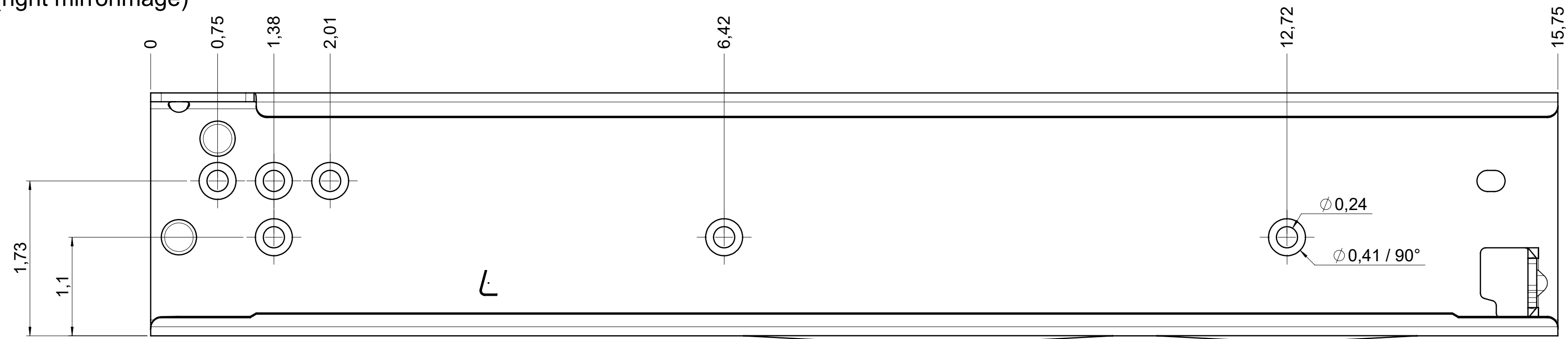


# CS# 7100.400-GAÜ.U001

drawn left (right mirrorimage)



**final approval**

customer name:

signed by:

date:

**all dimensions in inch**

DIN ISO 128-30  
missing dimensions see 3D  
= theor. intersection

|  |         |      |                   |            |          |  |   |
|--|---------|------|-------------------|------------|----------|--|---|
| This drawing remains our property and may not be multiplied neither be disclosed to third parties (§§1,3 and 5 from the copyright Act (UrhG)) covered according to DIN ISO 16016 |         |      |                   | scale: 1:1 | surface: | material, semi finished parts: CS (technical requirements Fulterer)  | A2  |
| (k)  |         |      |                   | date       | name     | description:<br>FR 7100 / 40 CS EN (inch)<br>progressive-action over-extension<br>drawerslide / bottom mount | drawing number:<br><b>CS# 7100.400-GAÜ.U001</b><br>replaces version date: |
| (l)  |         |      | drawn 14-12-2022  | BM         |          |  |   |
| (h)  |         |      | proven 00-00-0000 | 00         |          |  |   |
| (g)  |         |      |                   |            |          |  |   |
| (f)  |         |      |                   |            |          |  |   |
| (e)  |         |      |                   |            |          |  |   |
| (d)  |         |      |                   |            |          |  |   |
| (c)  |         |      |                   |            |          |  |   |
| (b)  |         |      |                   |            |          |  |   |
| (a)  |         |      |                   |            |          |  |   |
| ind.   | changes | date | na.               |            |          |  |   |