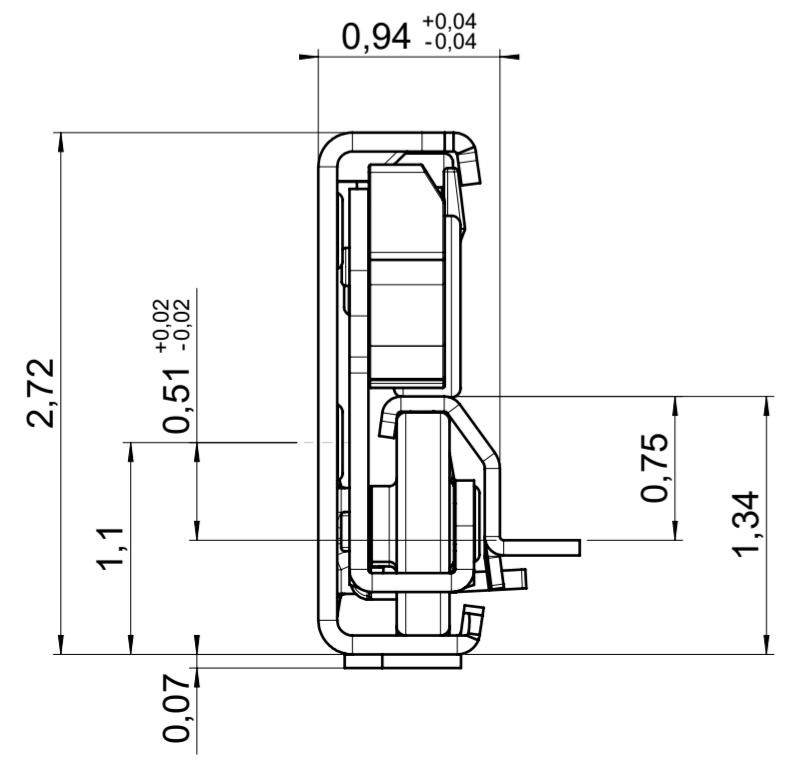
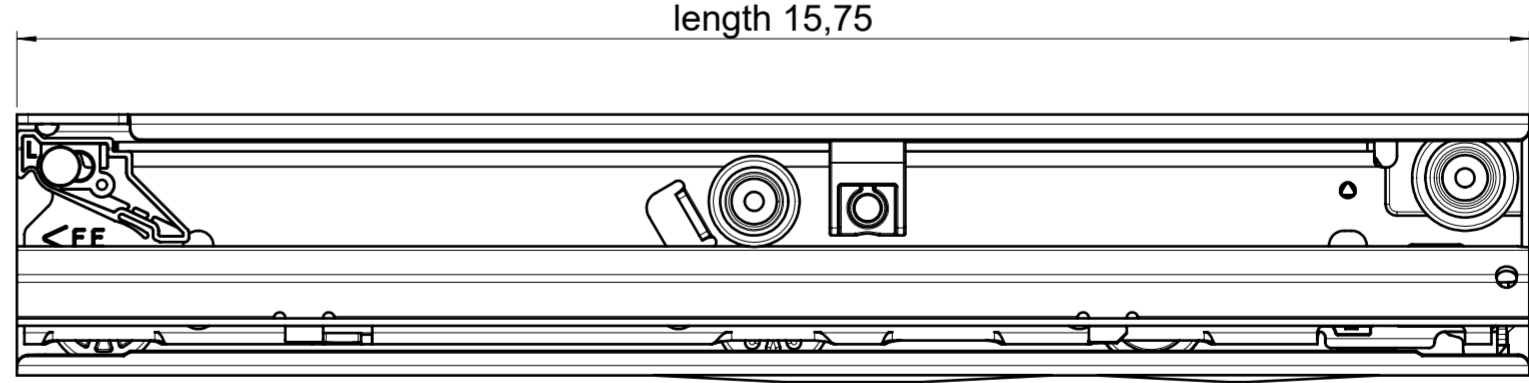
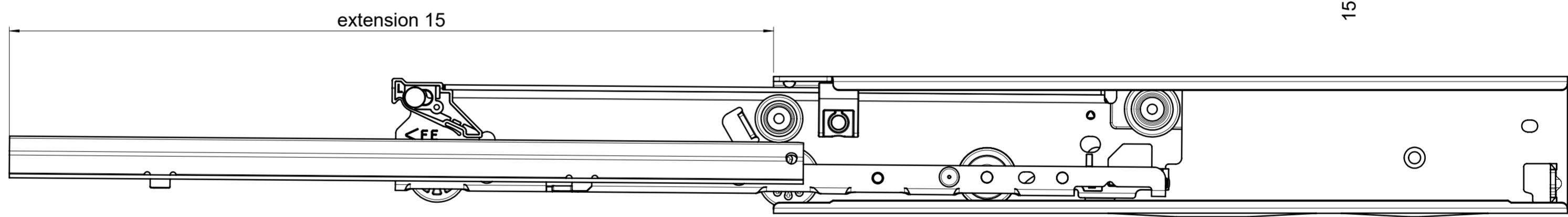
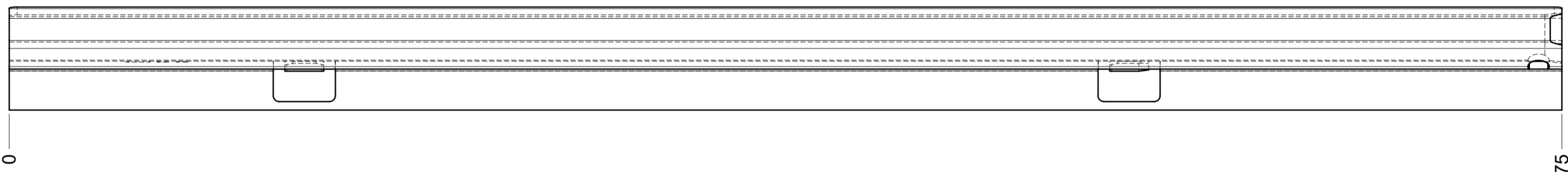
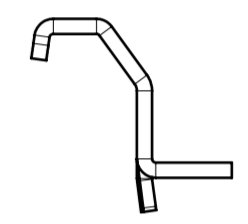
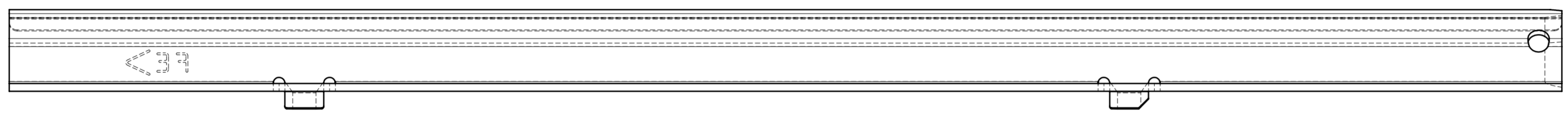
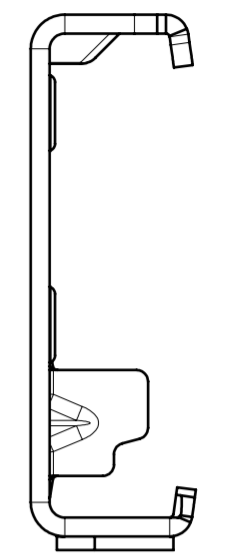
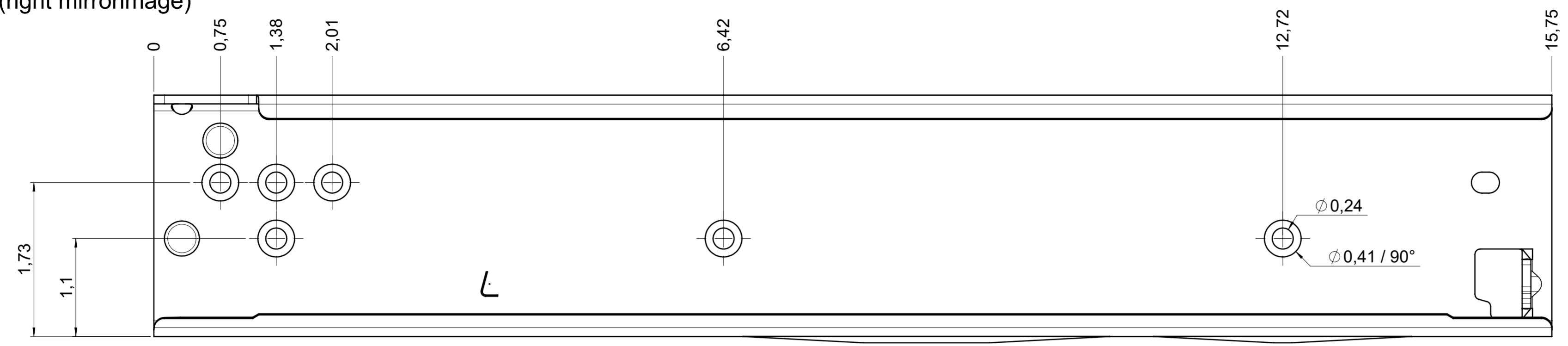


CS# 7100.400-GAV.U001

drawn left (right mirrorimage)



final approval

customer name:

signed by:

date:

all dimensions in inch

⊕ DIN ISO 128-30
missing dimensions see 3D
⊕ = theor. intersection

This drawing remains our property and may not be multiplied neither be disclosed to third parties (§§1,3 and 5 from the copyright Act (UrhG)) covered according to DIN ISO 16016

(k) (l) (m) (n) (o) (p) (q) (r) (s) (t) (u) (v) (w) (x) (y) (z)	scale:	1:1	surface:	material, semi finished parts:	A2
	drawn	14-12-2022	name	CS	
	proven	00-00-0000	BM	(technical requirements Fulterer)	
			00		
description: Fulterer				description: FR 7100 / 40 CS EN (inch) progressive-action full-extension drawerslide / bottom mount	
Fulterer AG & Co KG A-6890 Lustenau / Austria Fulterer AG CH-9430 St. Margrethen				drawing number: CS# 7100.400-GAV.U001 replaces version date:	
ind.	changes	date	na.		

Donnerstag, 15. Dezember 2022 14:43:23 matthias bechter