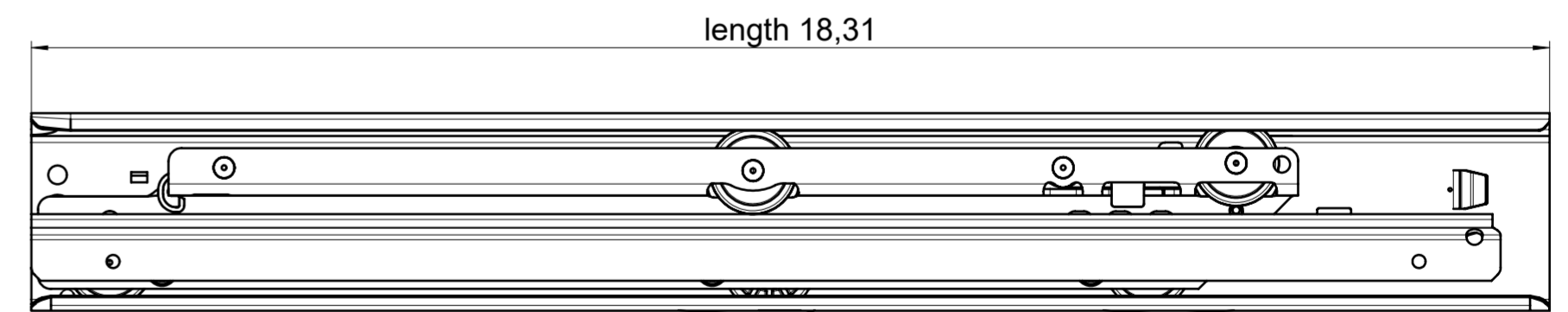
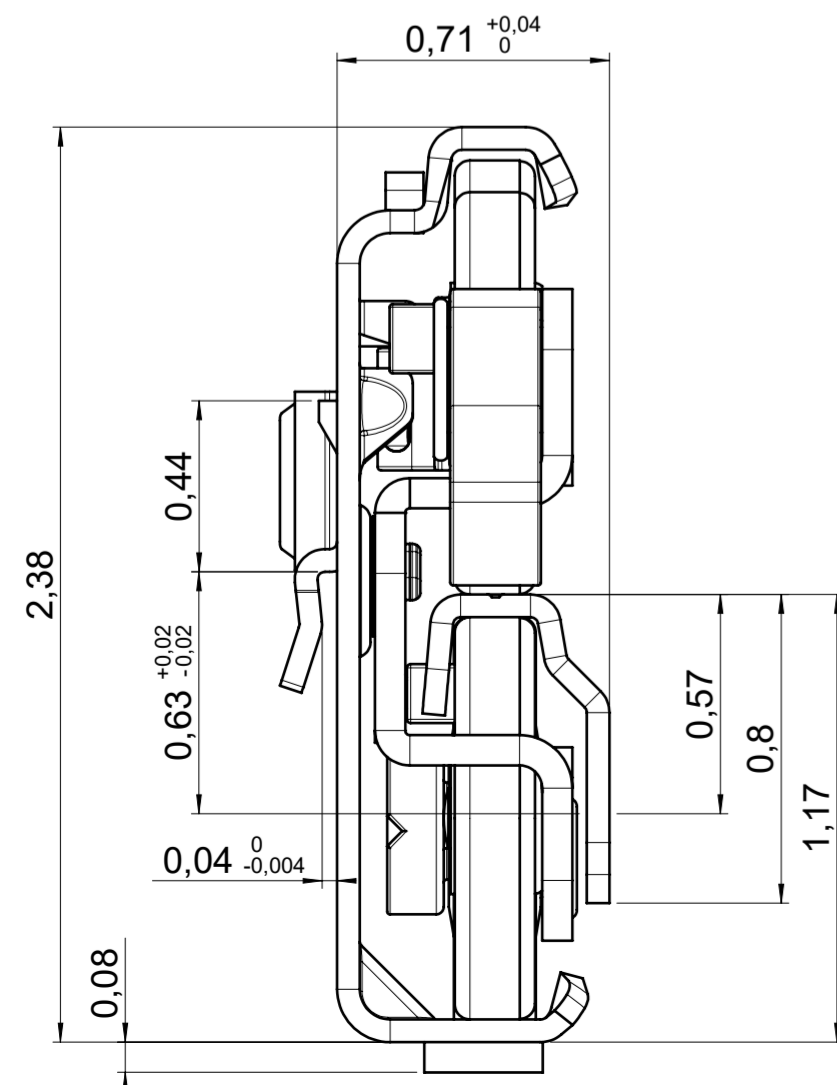
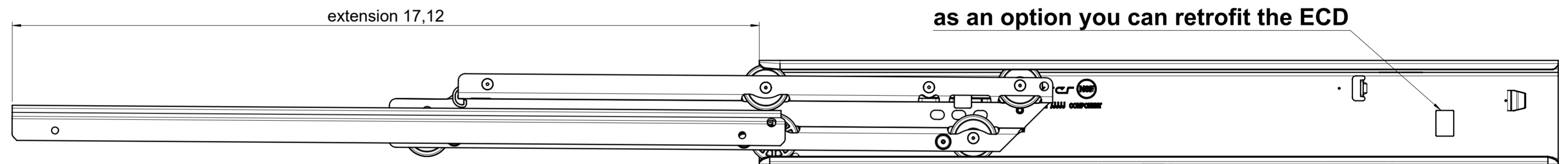
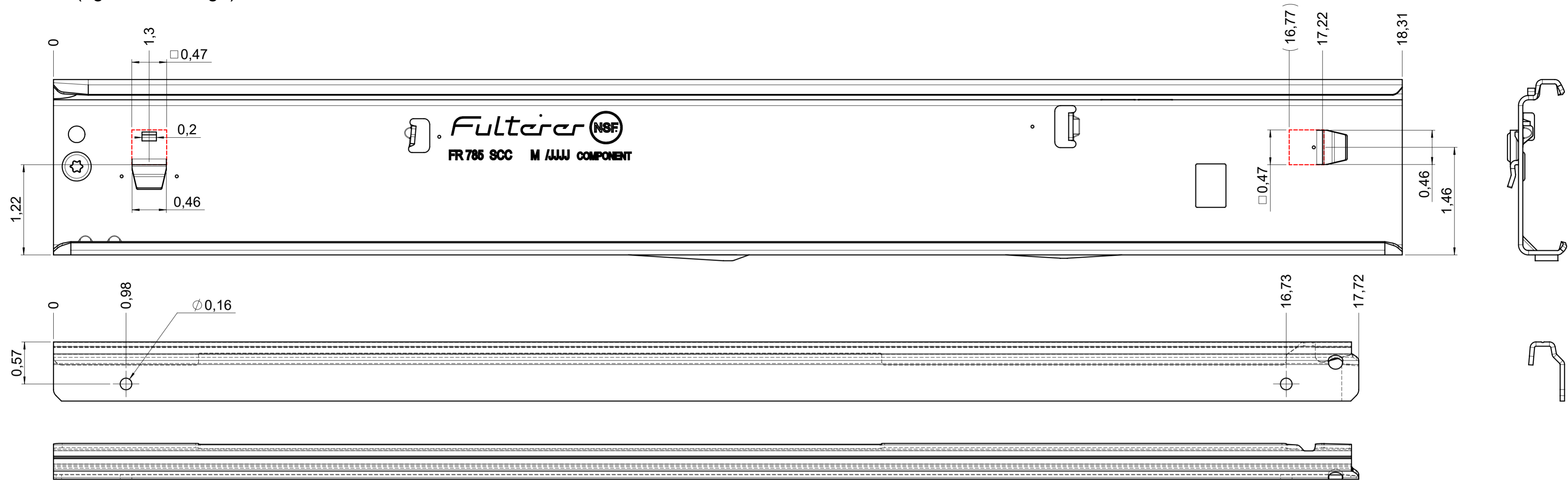


drawn left (right mirrorimage)



final approval

customer name:

signed by:

date:

all dimensions in inch

DIN ISO 128-30
missing dimensions see 3D
= theor. intersection

This drawing remains our property and may not be multiplied neither be disclosed to third parties (§§1,3 and 5 from the copyright Act (UrhG)) covered according to DIN ISO 16016				scale:	surface:	material, semi finished parts: CS (technical requirements Fulterer)
		1:1			A2	
(k)			date	name	description: FR 785 / 45 CS EN (inch) progressive-action full-extension drawerslide / side mount	
(l)			drawn 24-11-2022	ex		
(m)			proven 02-01-2023	pr	drawing number: CS# 785.450-GA.L526 replaces version date:	
(n)			Fulterer			
(o)					Fulterer AG & Co KG	
(p)			A-6890 Lustenau / Austria			
(q)			Fulterer AG			
(r)			CH-9430 St. Margrethen			
(s)			changes	date	na.	