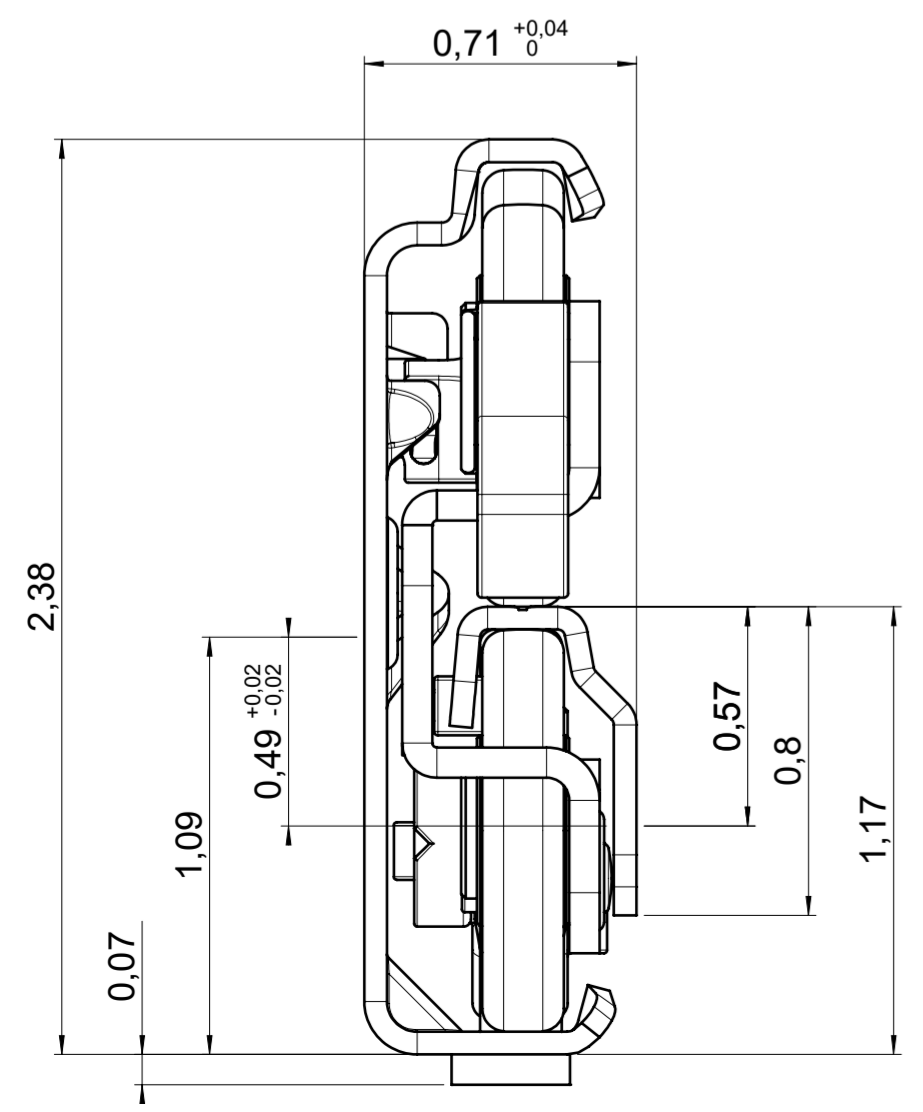
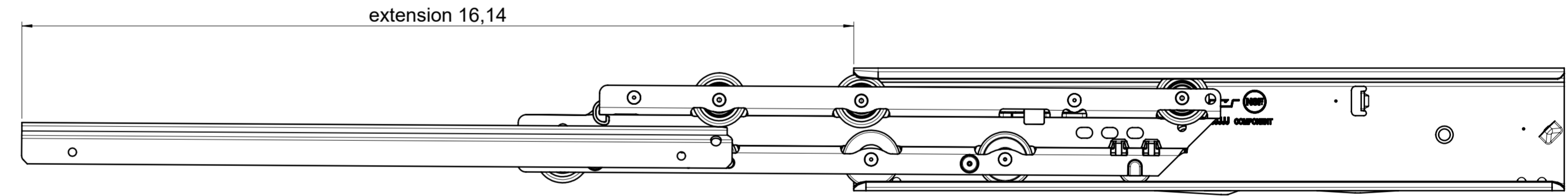
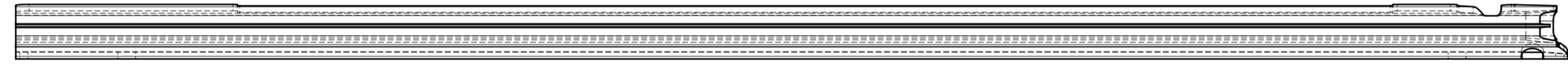
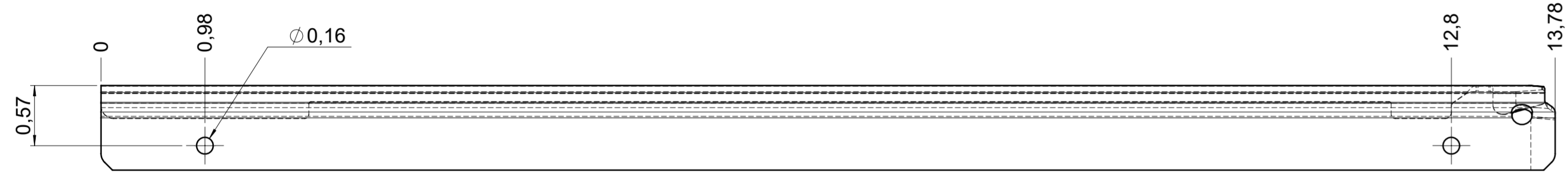
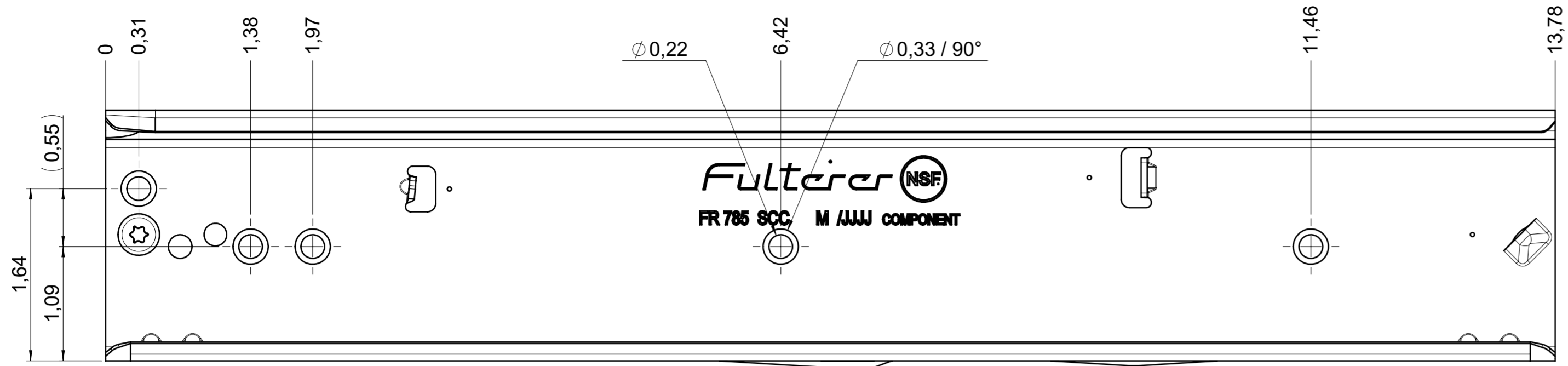


drawn left (right mirrorimage)



**version
"heat-resistant 110°C"**

final approval
customer name:
signed by:
date:

all dimensions in inch

DIN ISO 128-30
missing dimensions see 3D
= theor. intersection

This drawing remains our property and may not be multiplied neither be disclosed to third parties (§§1,3 and 5 from the copyright Act (UrhG)) covered according to DIN ISO 16016				scale: 1:1	surface:	material, semi finished parts: CS (technical requirements Fulterer)
(k)				date	name	description: FR 790 / 350 CS EN (inch) progressive-action over-extension drawerslide / side mount
(l)				drawn 19-04-2023	FM	
(m)				proven 19-04-2023	pr	
(n)				Fulterer		drawing number: CS# 790.350-GA.054
(o)						
(p)				Fulterer AG & Co KG A-6890 Lustenau / Austria		replaces version date:
(q)				Fulterer AG CH-9430 St. Margrethen		
(r)	changes	date	na.			