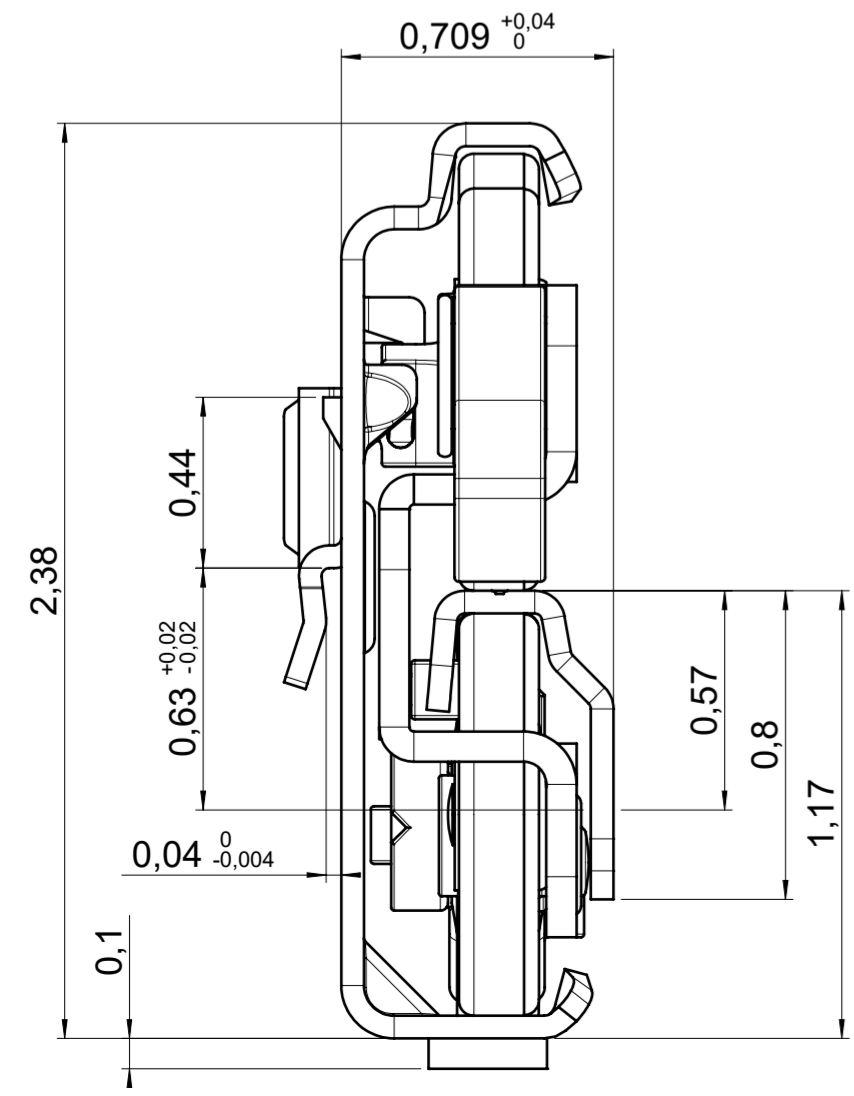
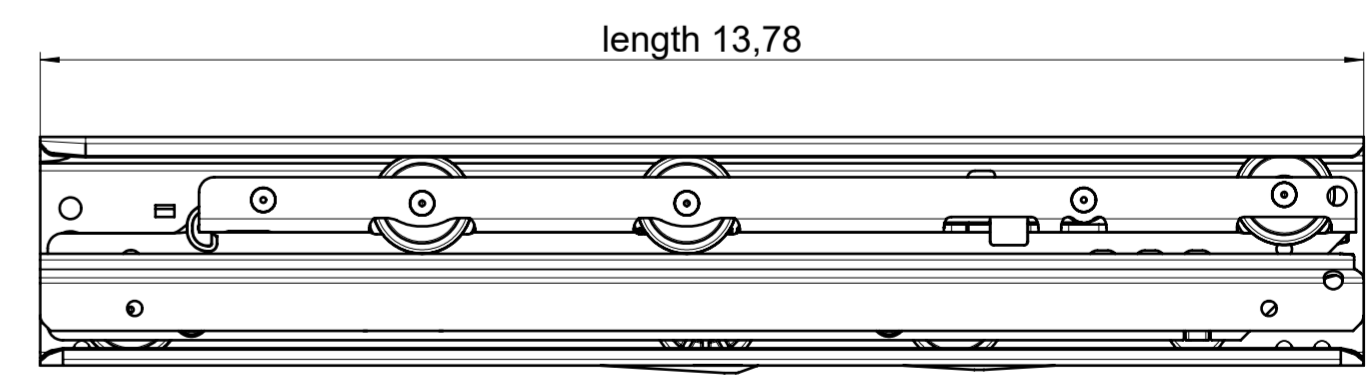
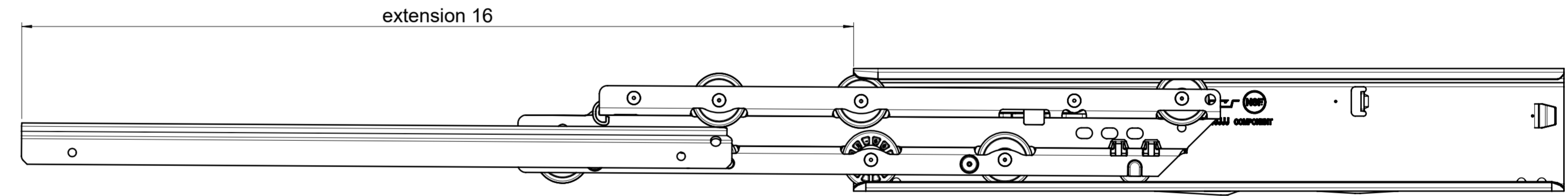
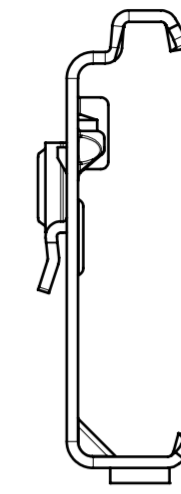
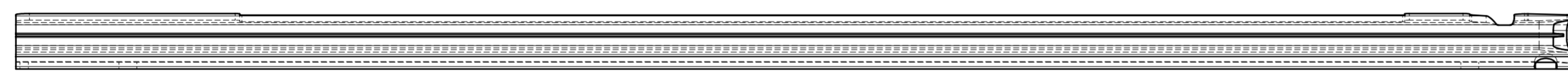
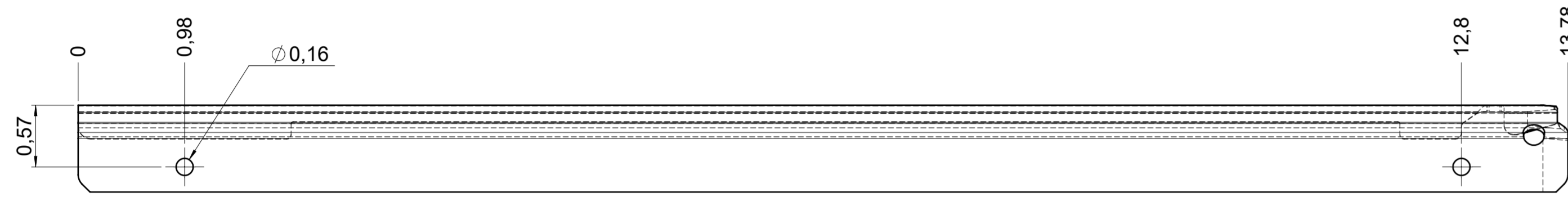
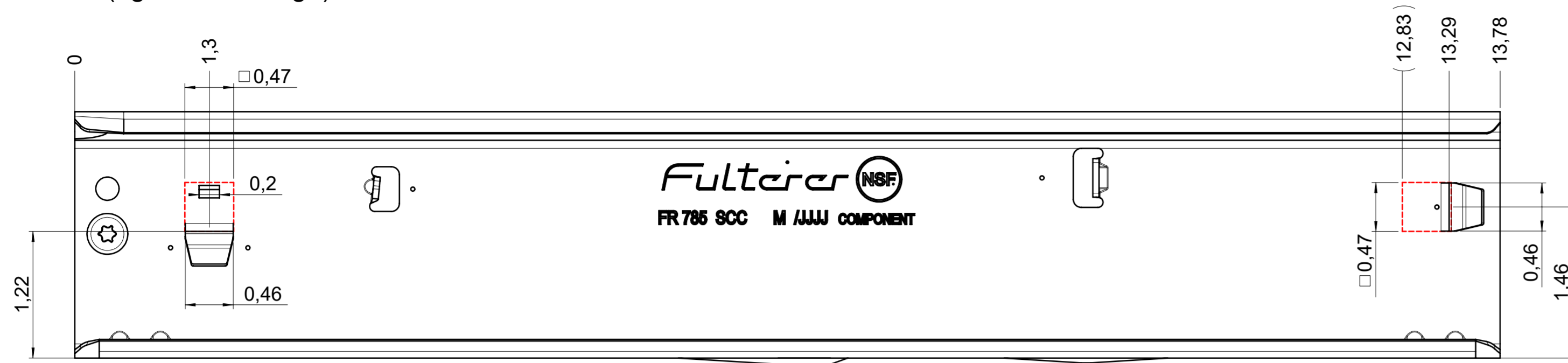


drawn left (right mirrorimage)



**final approval**

customer name:

signed by:

date:

<b>all dimensions in inch</b>			DIN ISO 128-30 missing dimensions see 3D = theor. intersection	
This drawing remains our property and may not be multiplied neither be disclosed to third parties (§§1,3 and 5 from the copyright Act (UrhG)) covered according to DIN ISO 16016				
scale: 1:1		surface:		material, semi finished parts: CS (technical requirements Fulterer)
drawn: 24-11-2022	date: 24-11-2022	name: ex	description: FR 790 / 35 CS EN (inch) progressive-action over-extension drawerslide / side mount	
proven: 02-01-2023	date: 02-01-2023	name: pr	drawing number: CS# 790.350-GA.L121	
			replaces version date:	
Fulterer AG & Co KG A-6890 Lustenau / Austria		drawing number: CS# 790.350-GA.L121		
Fulterer AG CH-9430 St. Margrethen		replaces version date:		
ind.	changes	date	na.	