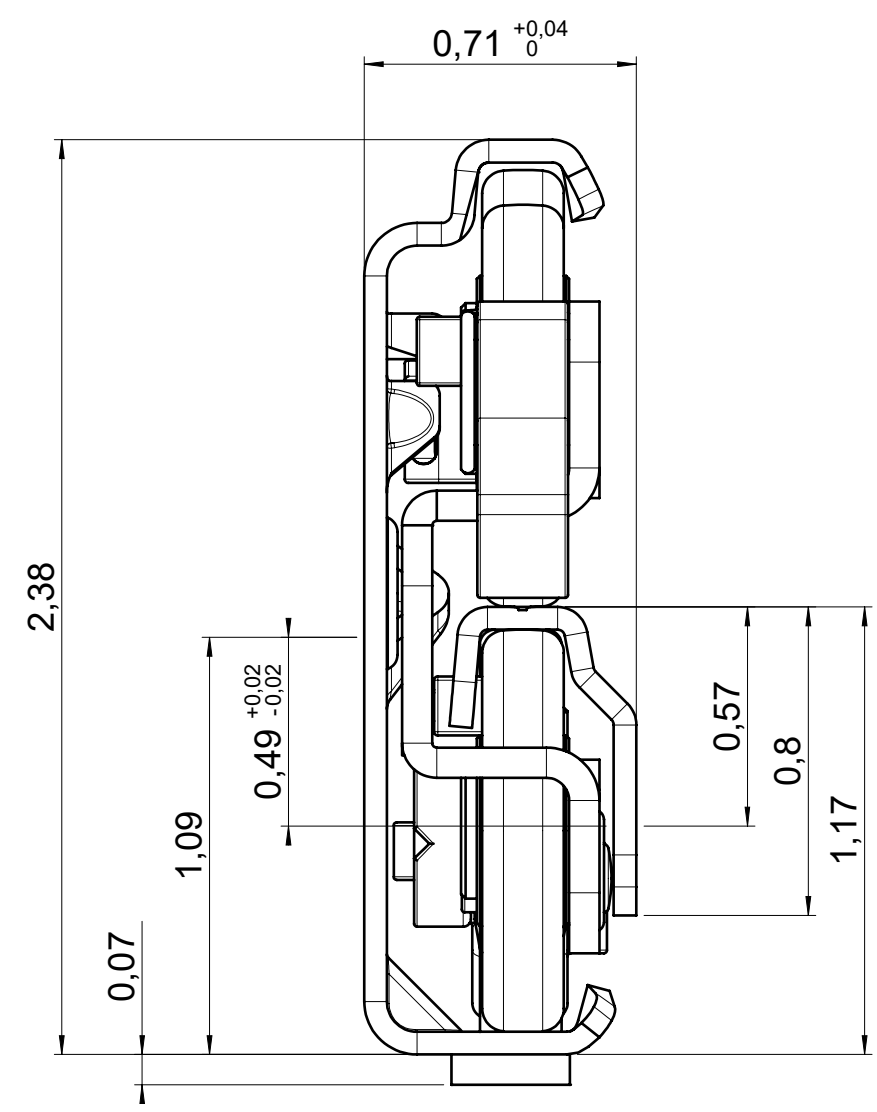
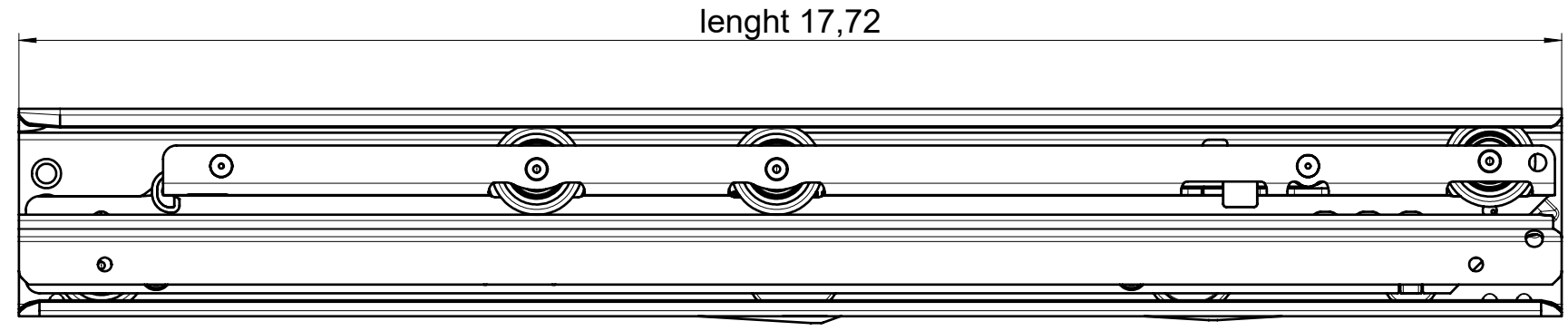
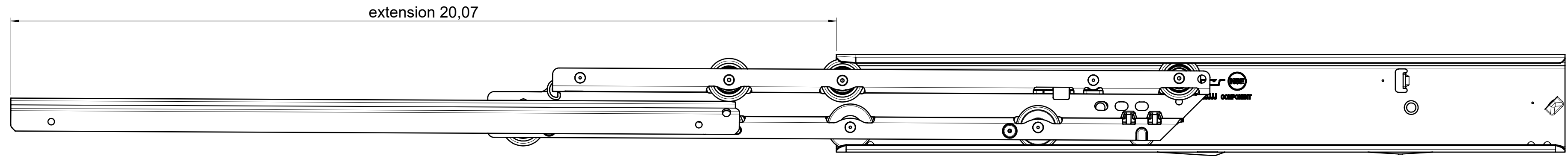
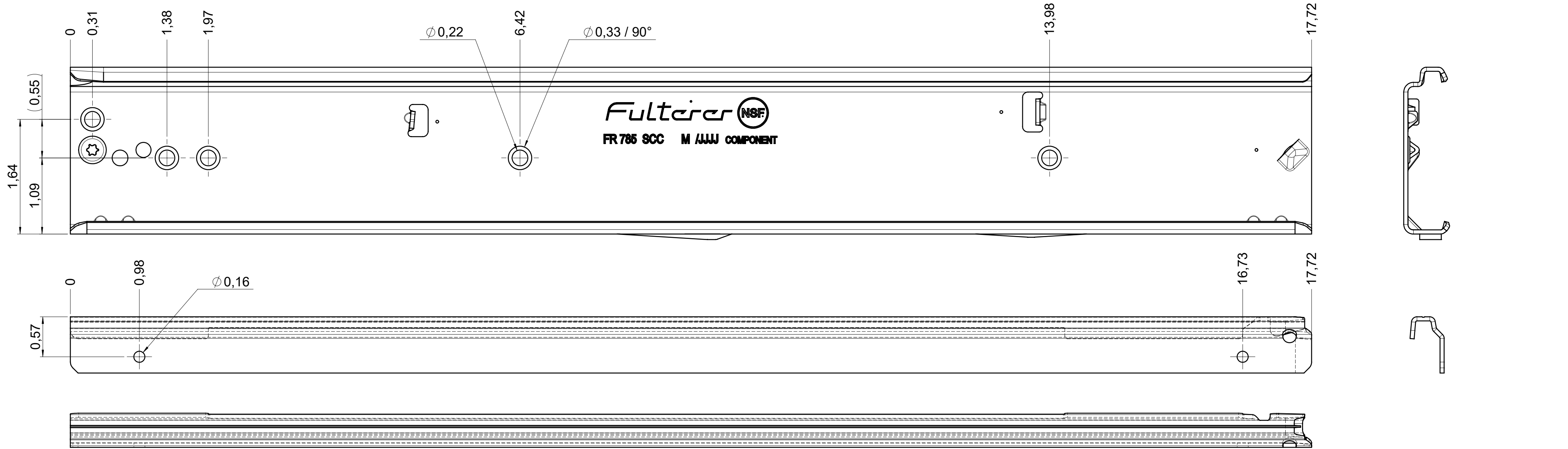


drawn left (right mirrorimage)



**version
"heat-resistant 110°C"**

final approval
customer name:
signed by:
date:

all dimensions in inch				DIN ISO 128-30 missing dimensions see 3D = theor. intersection	
This drawing remains our property and may not be multiplied neither be disclosed to third parties (§§1,3 and 5 from the copyright Act (UrhG)) covered according to DIN ISO 16016					
scale: 1:1		surface:		material, semi finished parts: CS (technical requirements Fulterer)	
drawn 19-04-2023		date 19-04-2023		name FM	
proven 19-04-2023		date 19-04-2023		pr	
				description: FR 790 / 450 CS EN (inch) progressive-action over-extension drawerside / side mount	
Fulterer AG & Co KG A-6890 Lustenau / Austria Fulterer AG CH-9430 St. Margrethen				drawing number: CS# 790.450-GA.054	
ind. changes date na.				replaces version date:	