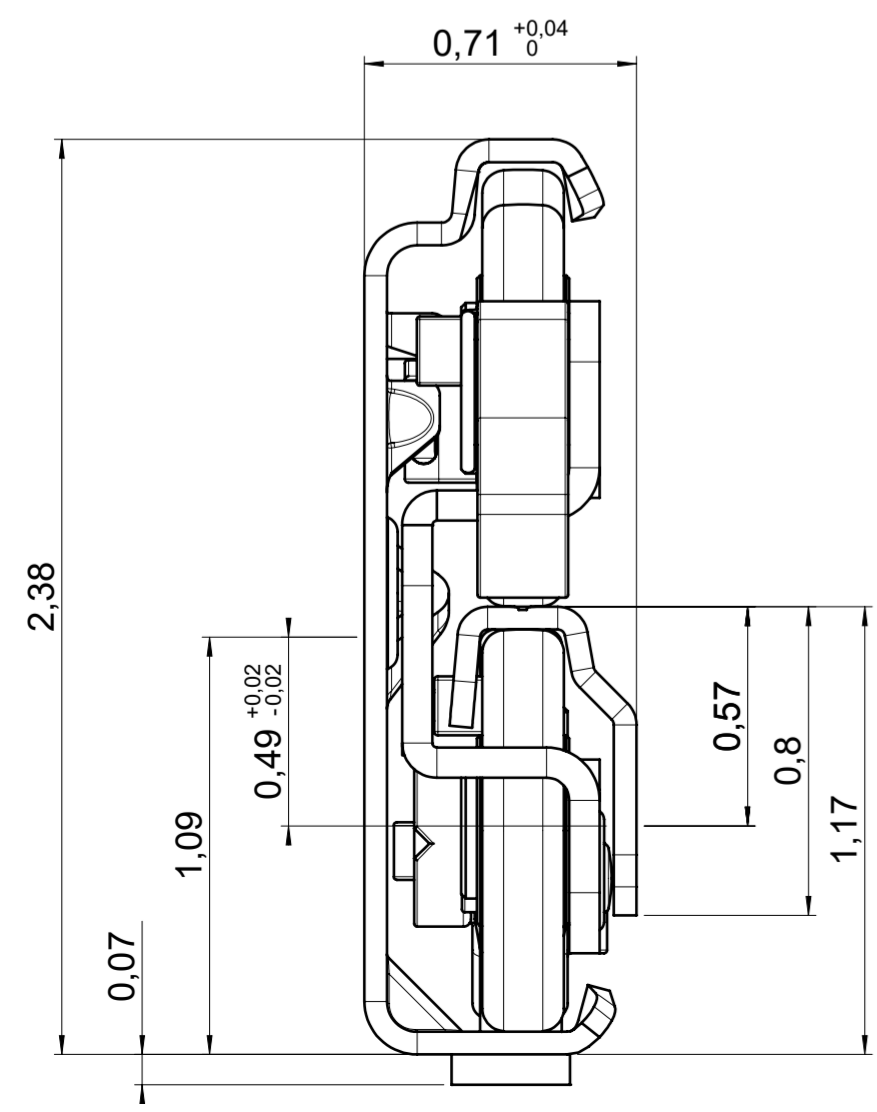
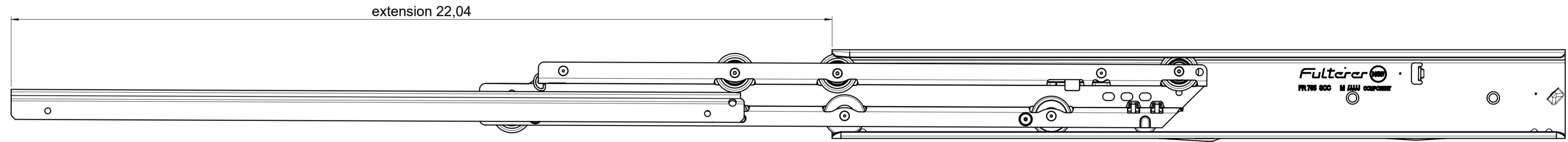
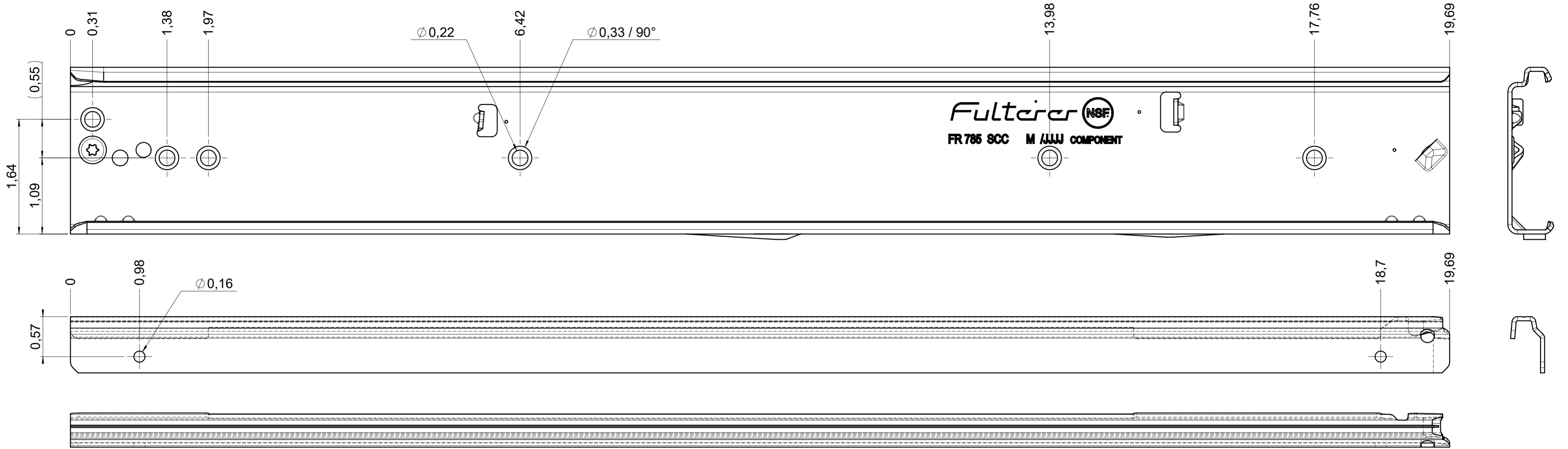


drawn left (right mirrorimage)



**version  
"heat-resistant 110°C"**

**final approval**  
customer name:  
signed by:  
date:

<b>all dimensions in inch</b>			DIN ISO 128-30 missing dimensions see 3D = theor. intersection	
This drawing remains our property and may not be multiplied neither be disclosed to third parties (§§1,3 and 5 from the copyright Act (UrhG)) covered according to DIN ISO 16016				
(k) (l) (i) (h) (g) (f) (e) (d) (c) (b) (a)	scale:	1:1	surface:	material, semi finished parts: <b>A2</b>
	drawn:	19-04-2023	name:	CS (technical requirements Fulterer)
	proven:	19-04-2023	pr:	description: FR 790 / 500 CS EN (inch) progressive-action over-extension drawerslide / side mount
	<b>Fulterer</b> Fulterer AG & Co KG A-6890 Lustenau / Austria Fulterer AG CH-9430 St. Margrethen			drawing number: <b>CS# 790.500-GA.054</b> replaces version date:
ind.	changes	date	na.	Donnerstag, 20. April 2023 15:16:12 rene.passler